

# TRUMP WALKER

Make The Force Great Again



Model instructions by Bird Brick Builds  
Author: Eduardo Sousa  
121 Parts



# Attribution-NonCommercial-ShareAlike 4.0 International (CC BY-NC-SA 4.0)

This is a human-readable summary of (and not a substitute for) the [license](#). [Disclaimer](#).

## You are free to:

**Share** — copy and redistribute the material in any medium or format

**Adapt** — remix, transform, and build upon the material

The licensor cannot revoke these freedoms as long as you follow the license terms.

---

## Under the following terms:



**Attribution** — You must give [appropriate credit](#), provide a link to the license, and [indicate if changes were made](#). You may do so in any reasonable manner, but not in any way that suggests the licensor endorses you or your use.



**NonCommercial** — You may not use the material for [commercial purposes](#).



**ShareAlike** — If you remix, transform, or build upon the material, you must distribute your contributions under the [same license](#) as the original.

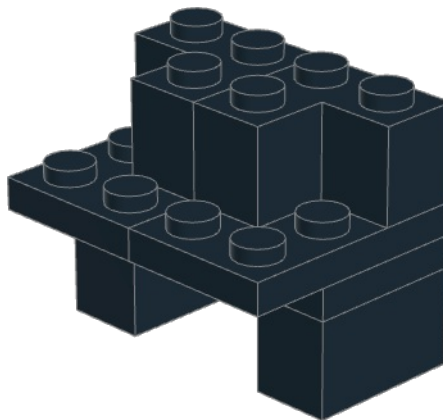
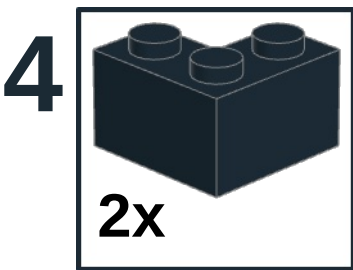
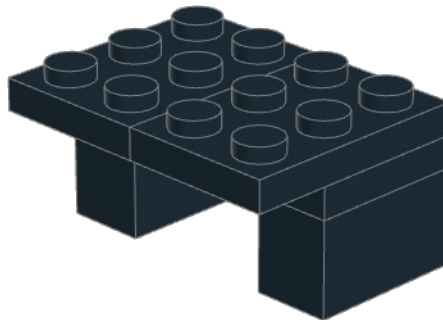
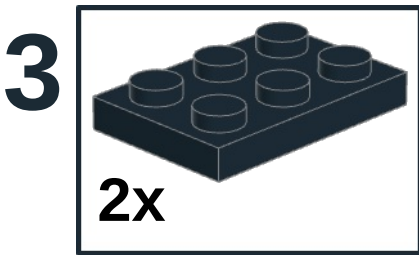
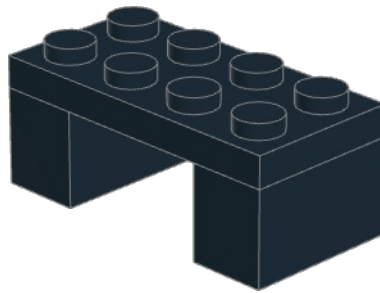
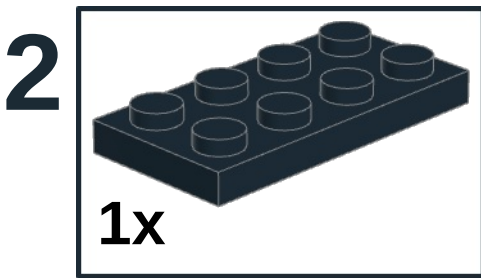
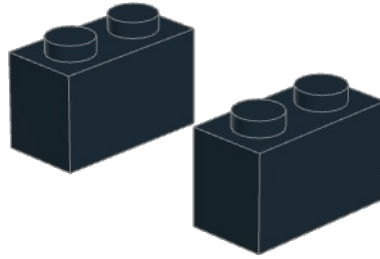
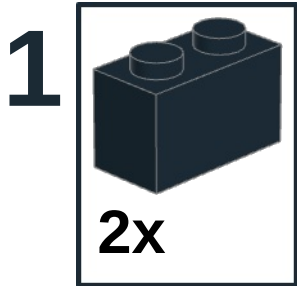
**No additional restrictions** — You may not apply legal terms or [technological measures](#) that legally restrict others from doing anything the license permits.

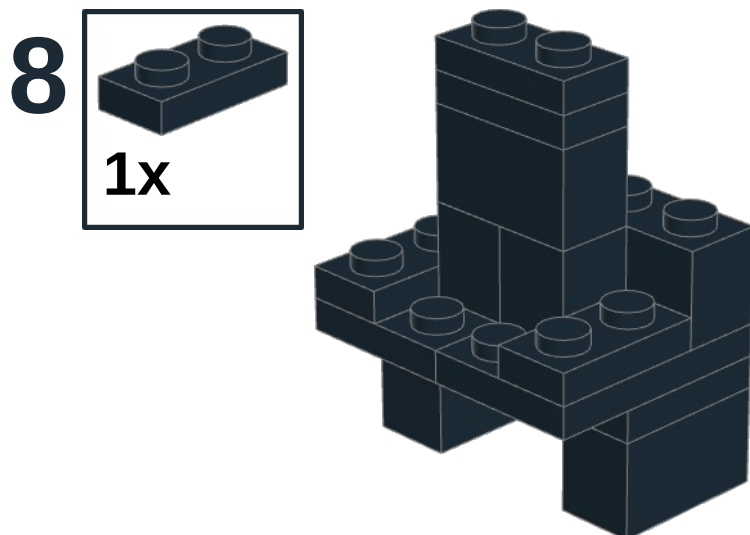
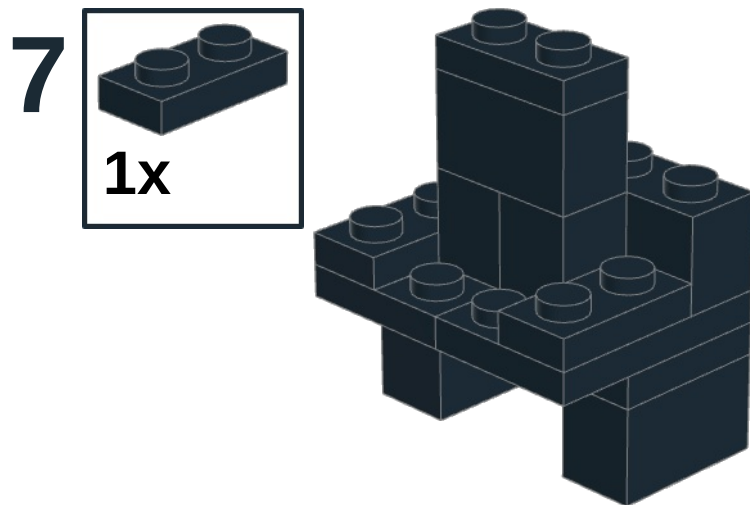
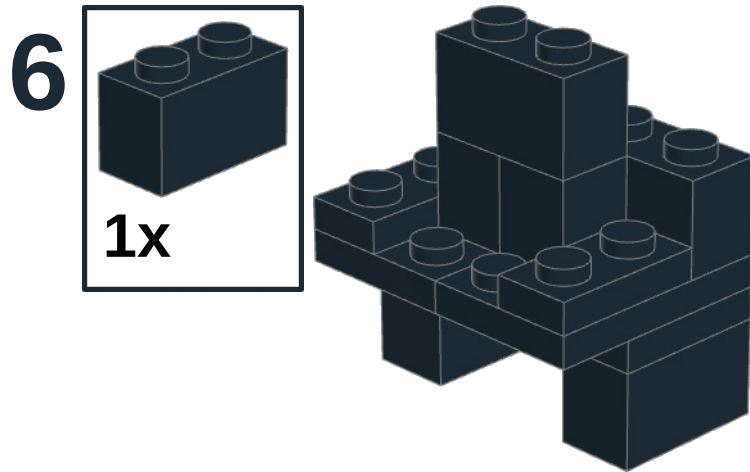
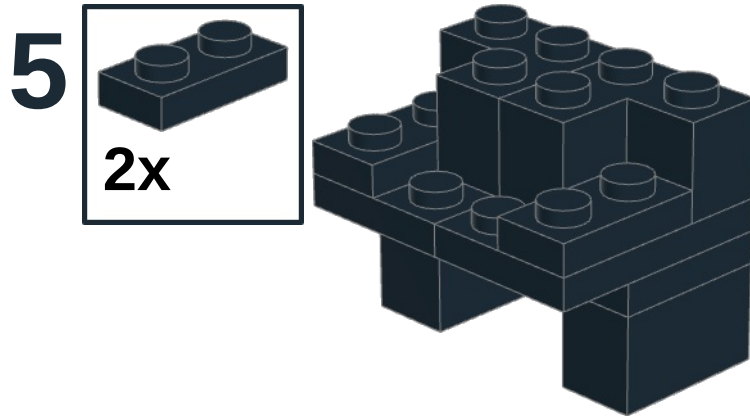
---

## Notices:

You do not have to comply with the license for elements of the material in the public domain or where your use is permitted by an applicable [exception or limitation](#).

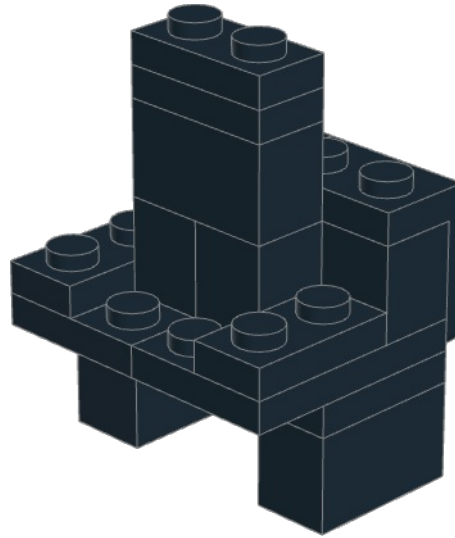
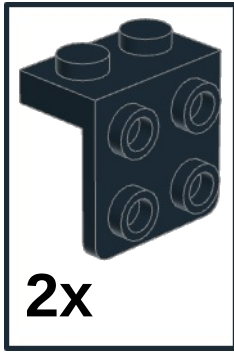
No warranties are given. The license may not give you all of the permissions necessary for your intended use. For example, other rights such as [publicity, privacy, or moral rights](#) may limit how you use the material.



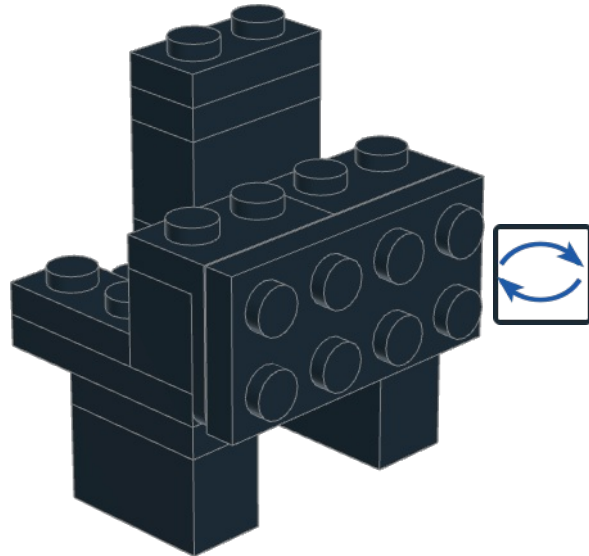
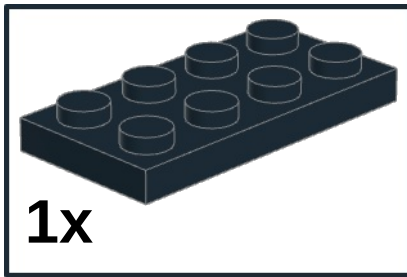




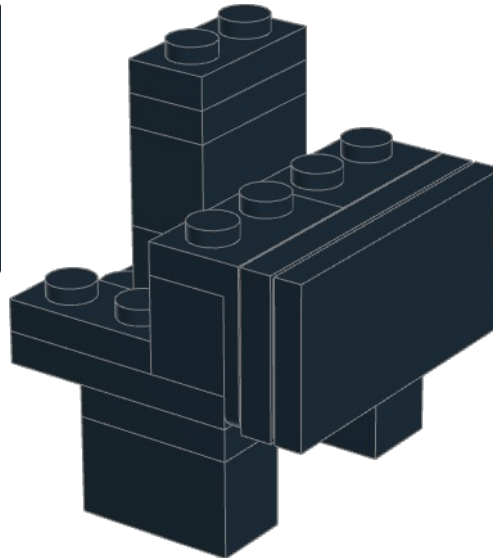
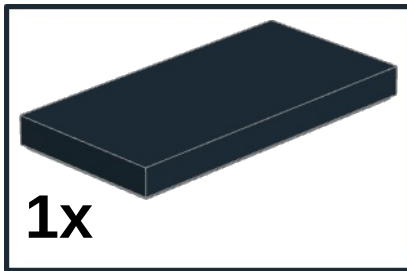
9



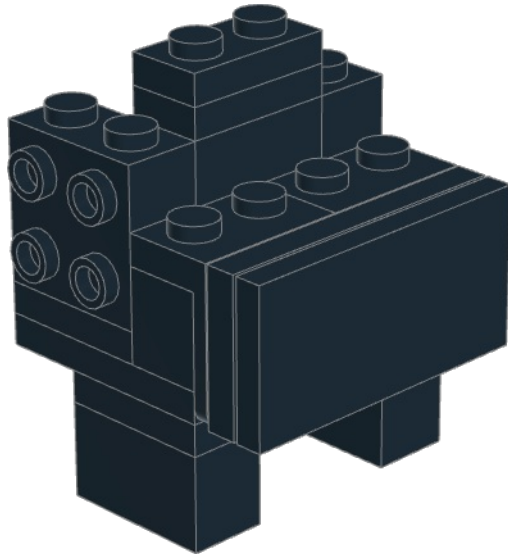
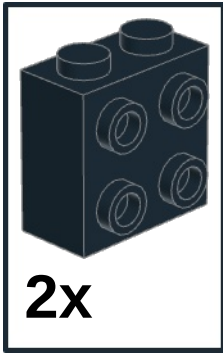
10



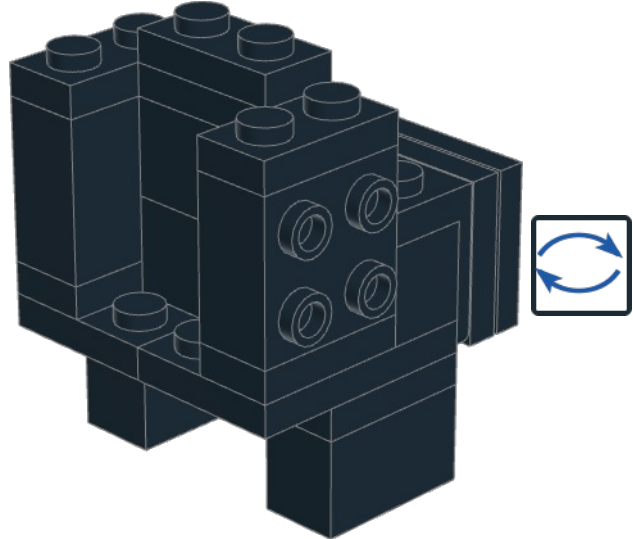
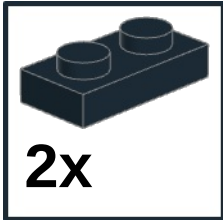
11



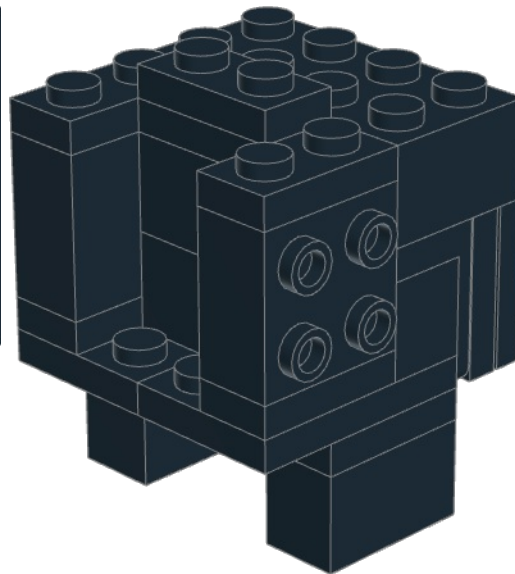
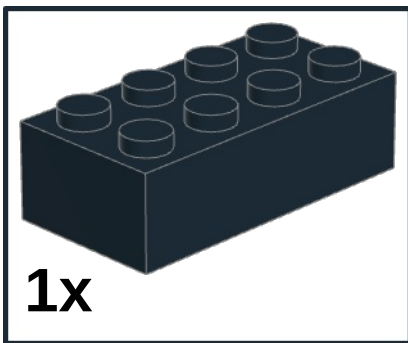
12



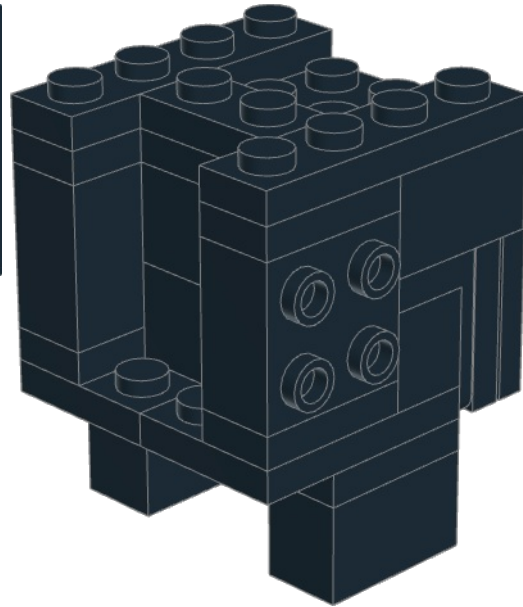
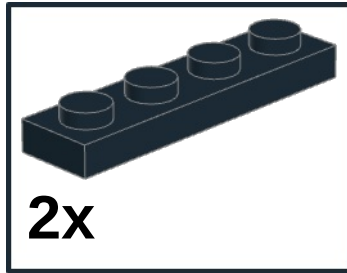
13



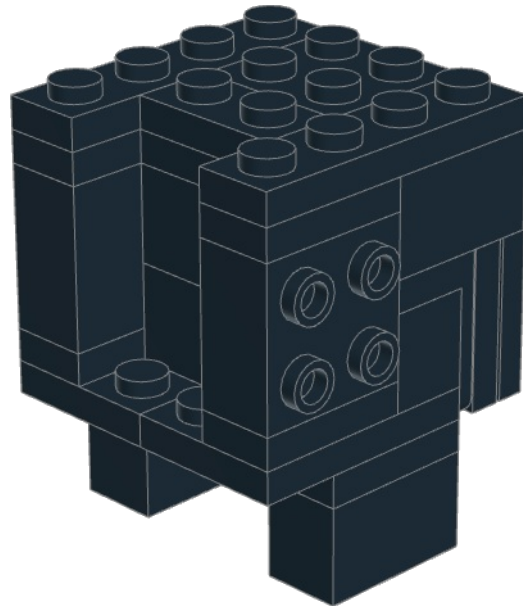
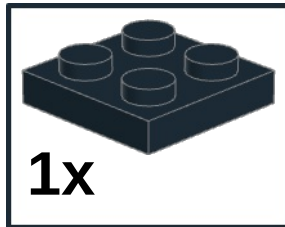
14

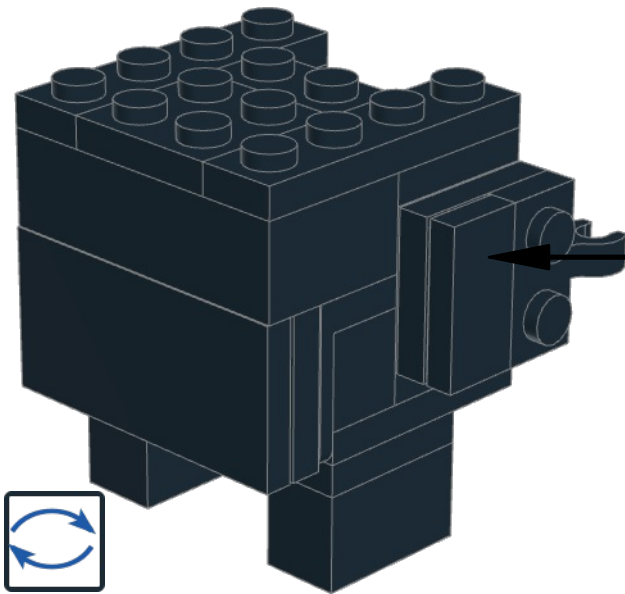


**15**



**16**





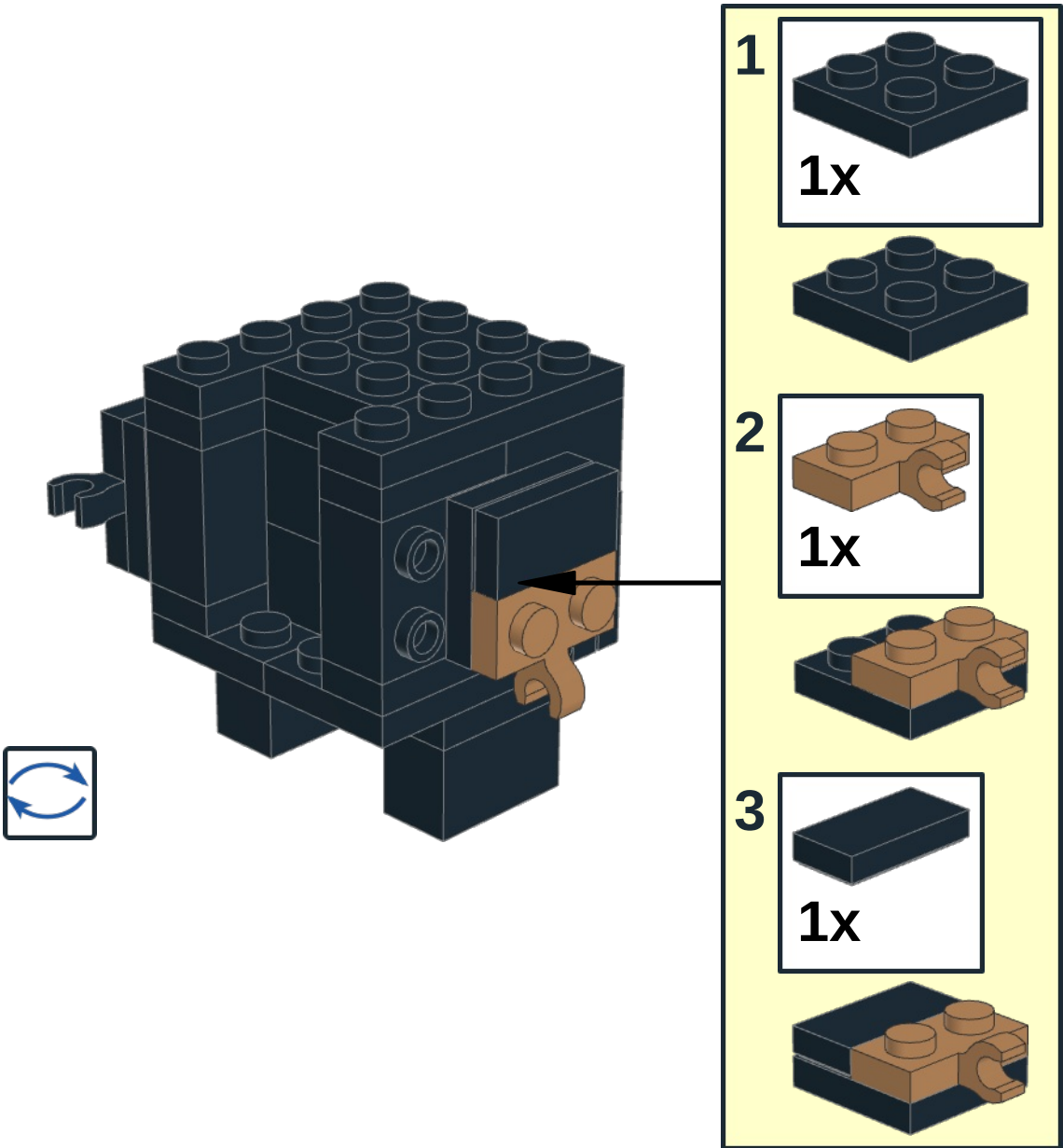
**1**

**1x**

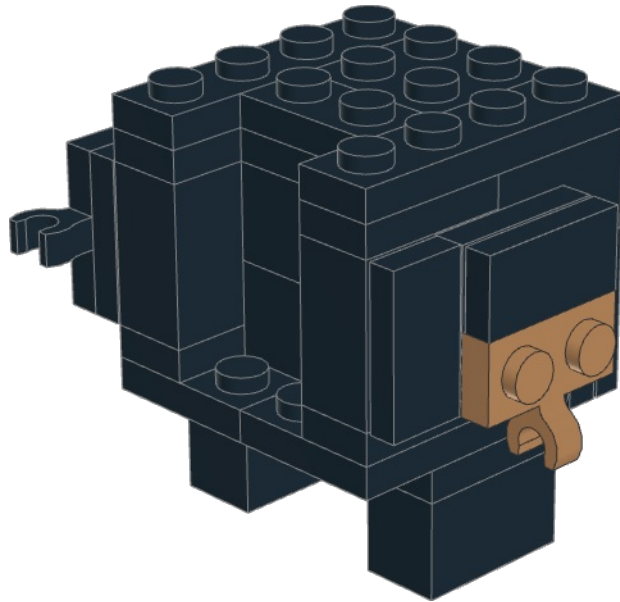
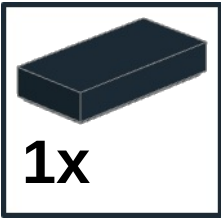
**2**

**3**

**1x**

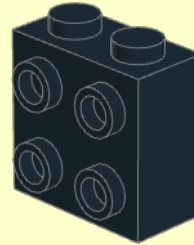
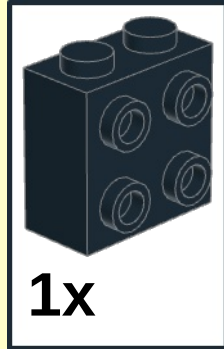


19

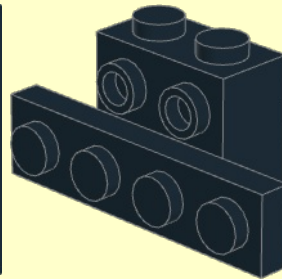
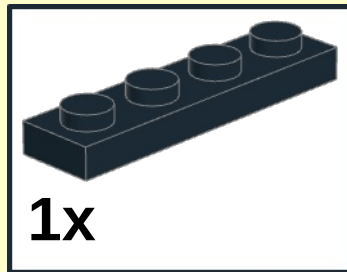




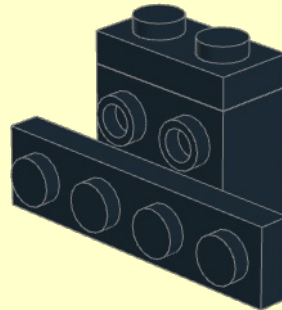
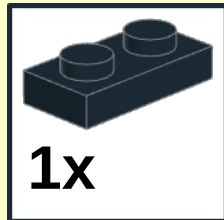
1



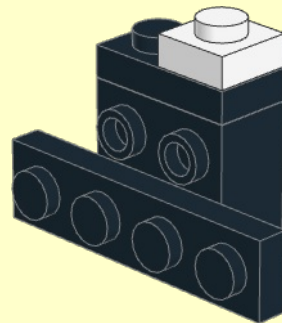
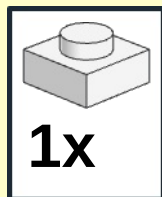
2

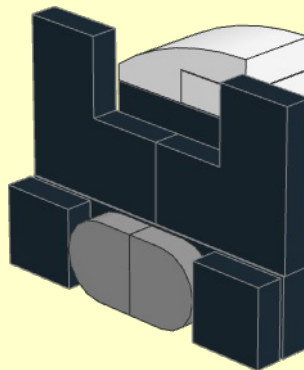
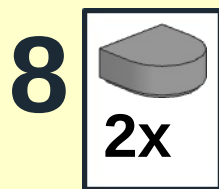
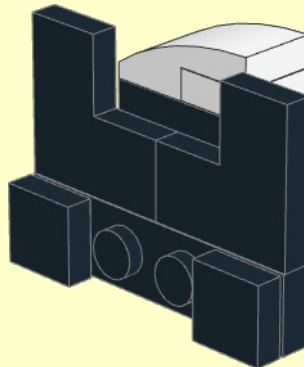
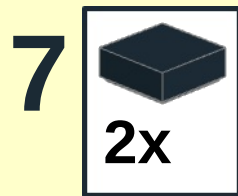
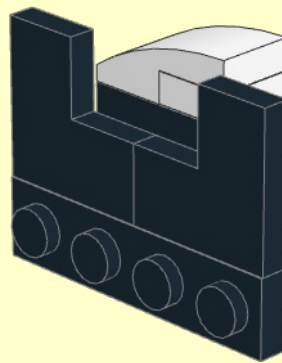
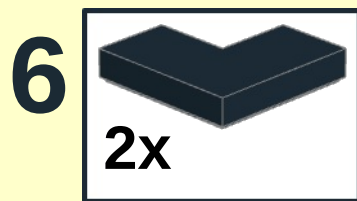
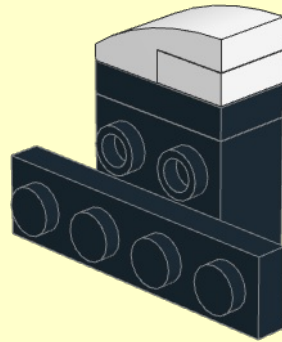
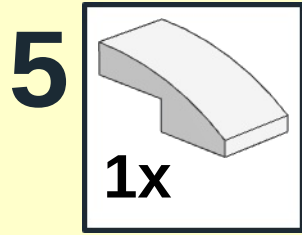


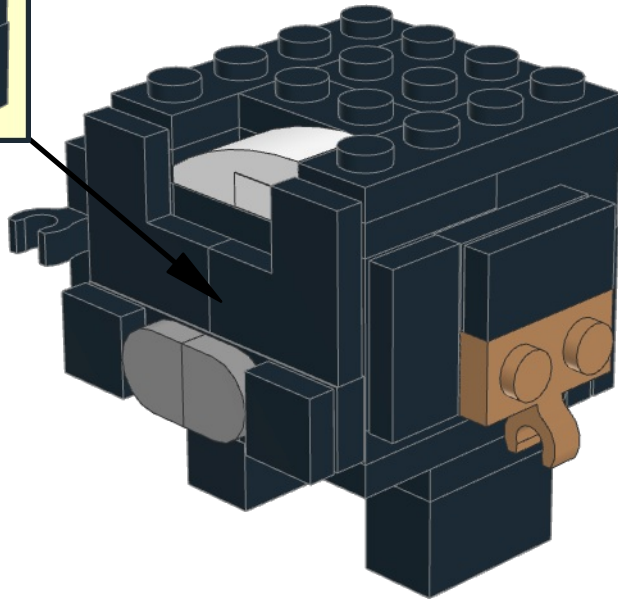
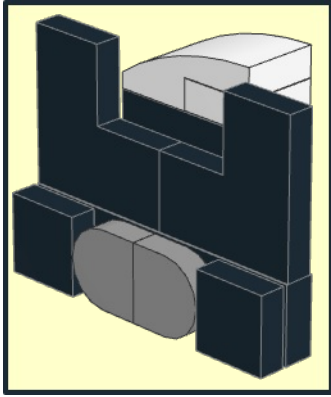
3



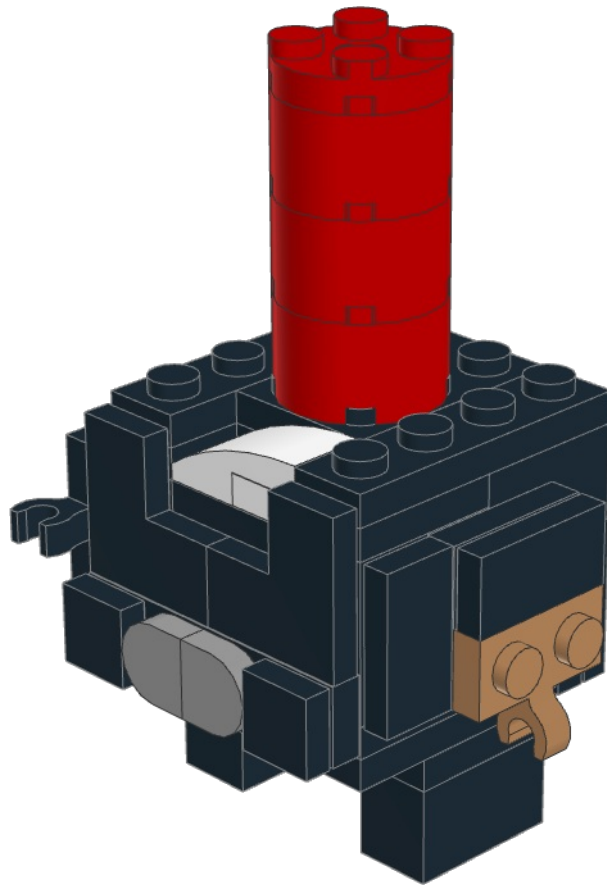
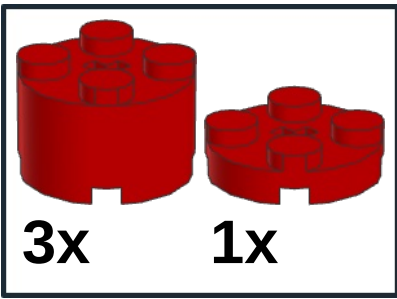
4



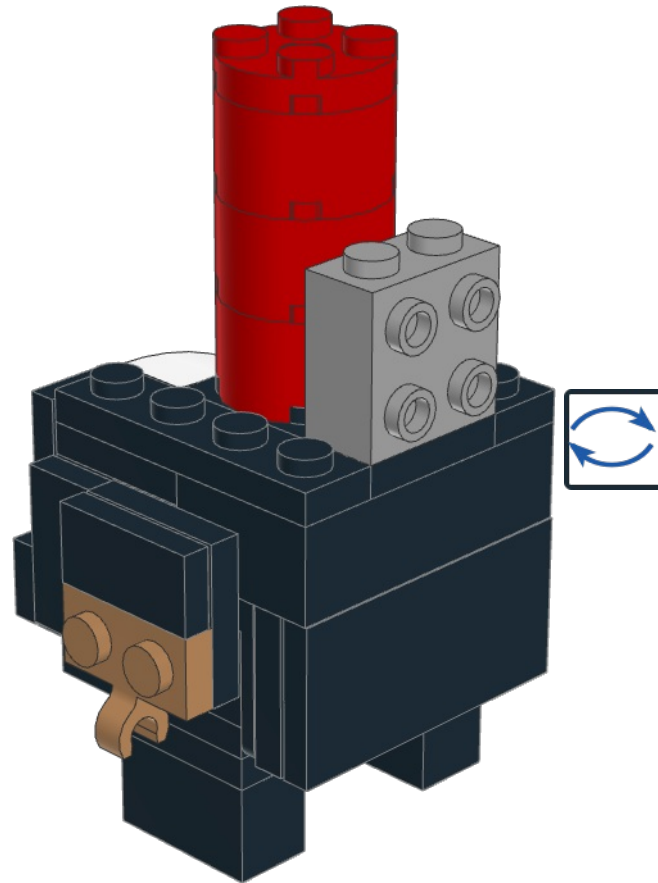
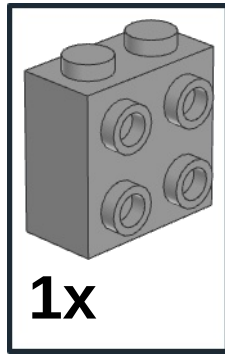




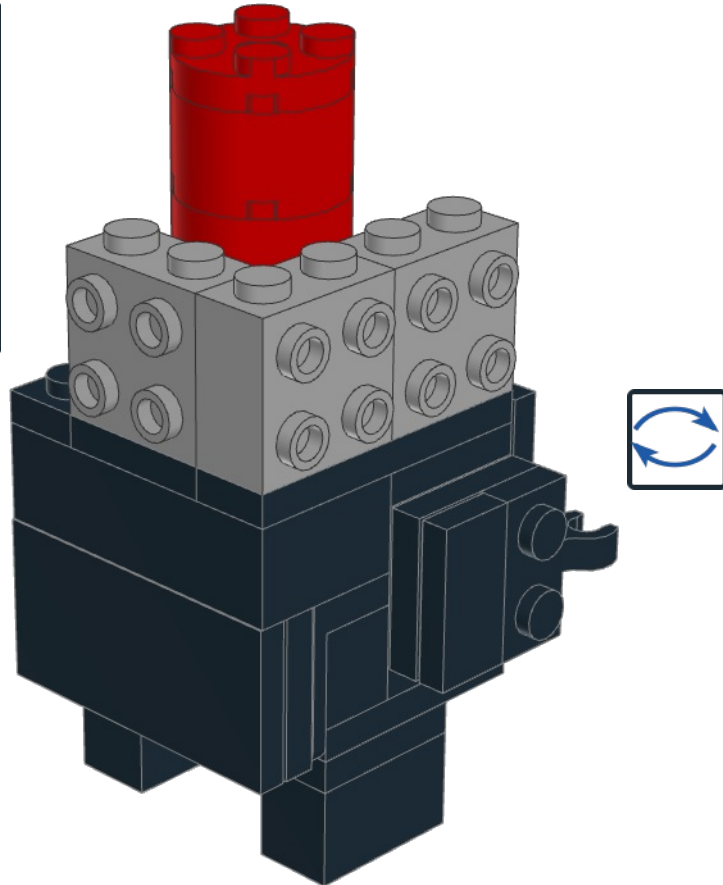
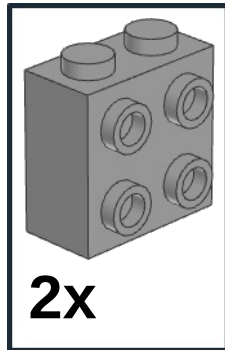
21



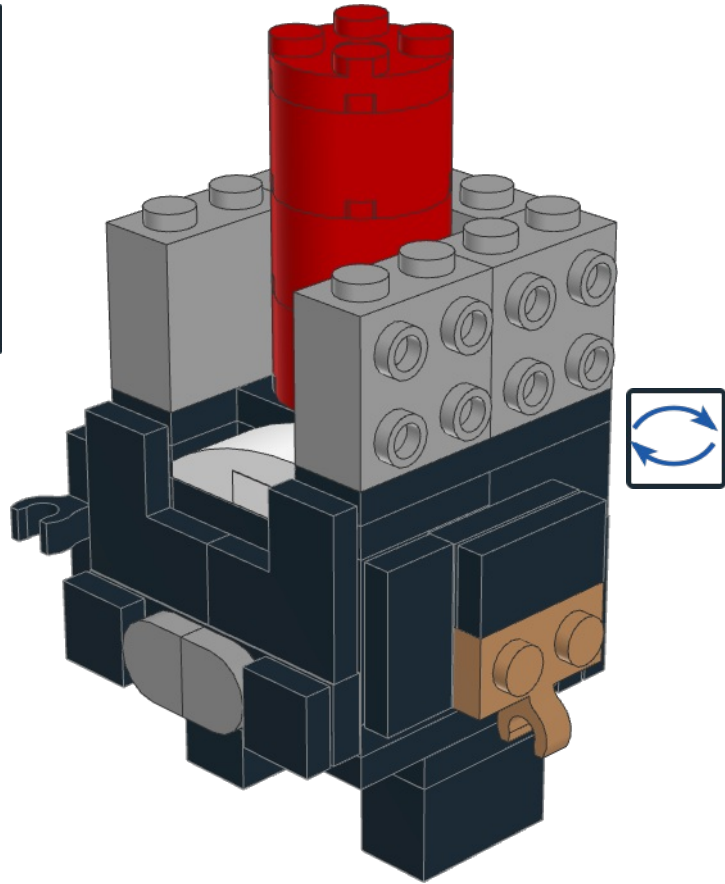
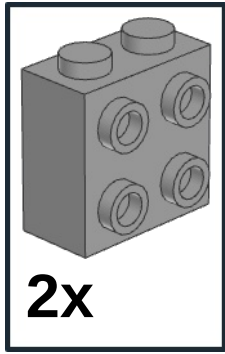
22



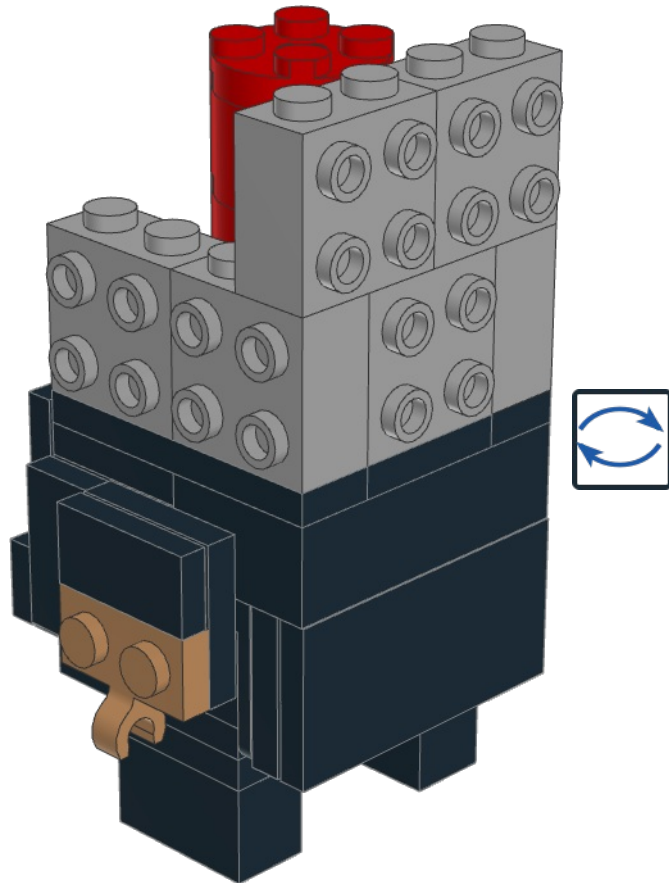
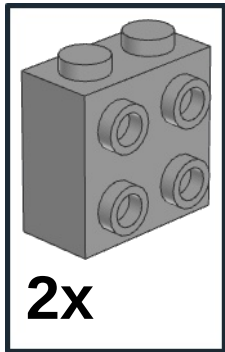
23



24

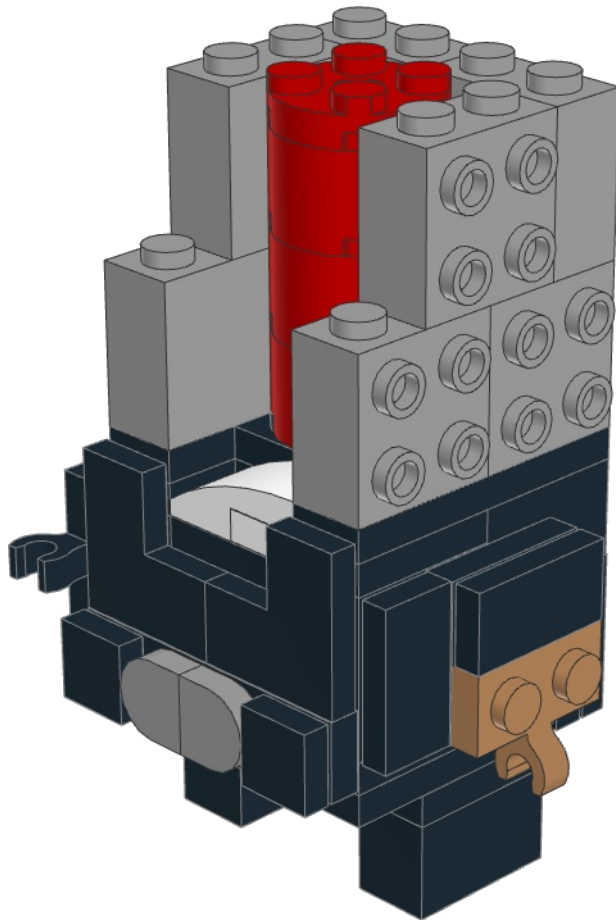
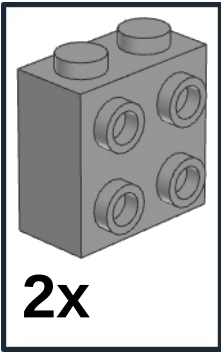


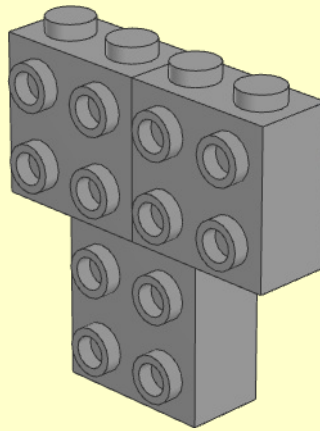
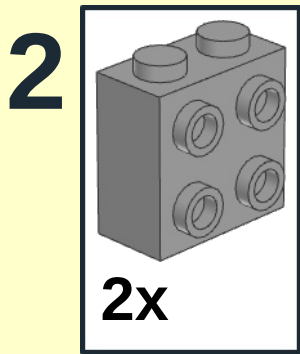
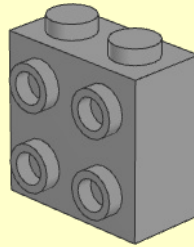
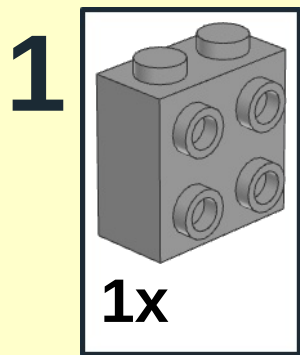
25

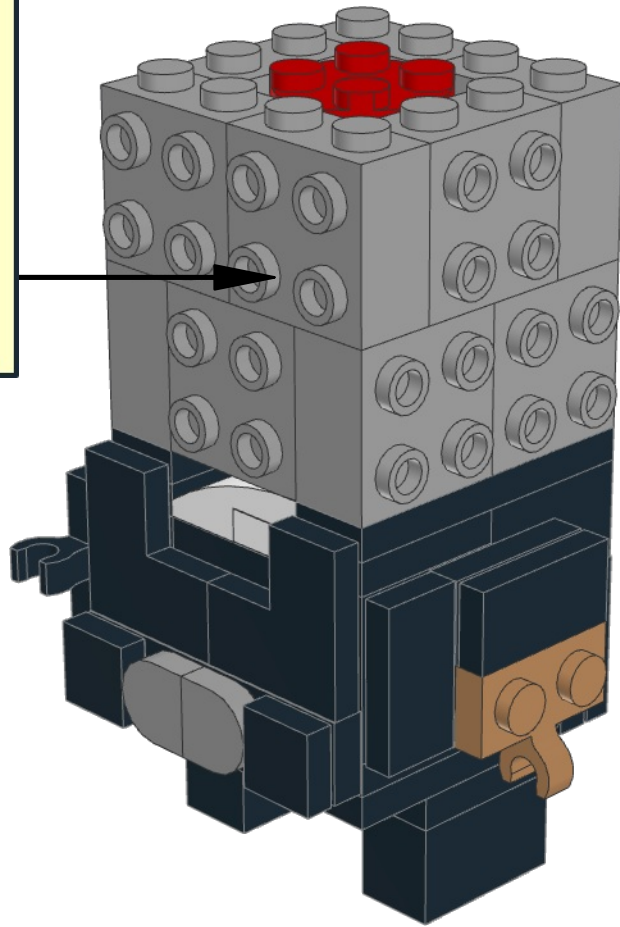
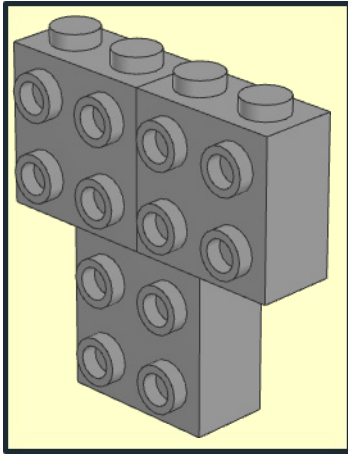


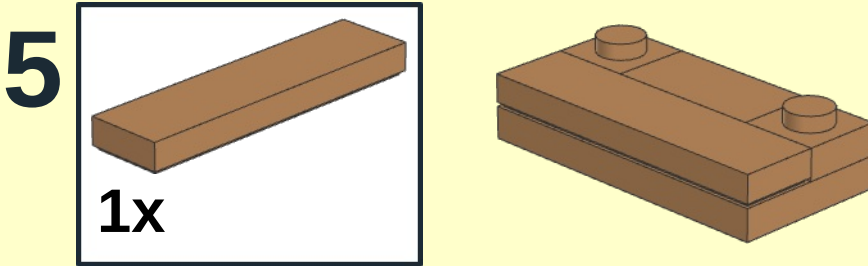
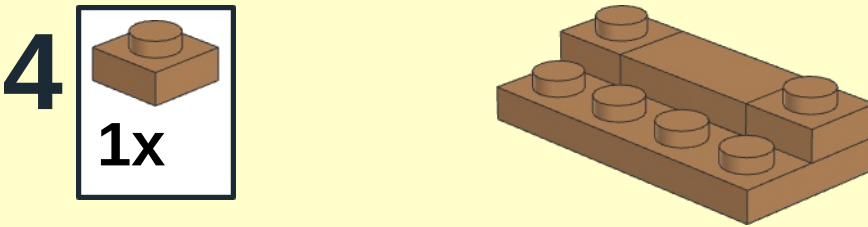
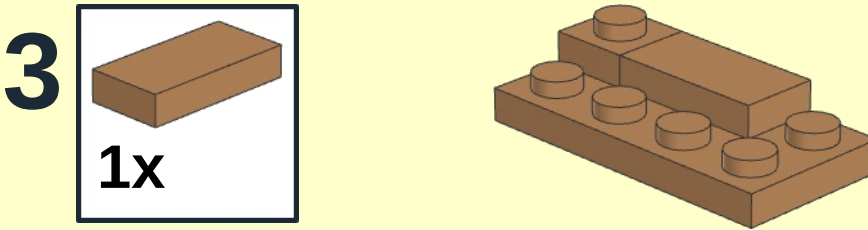
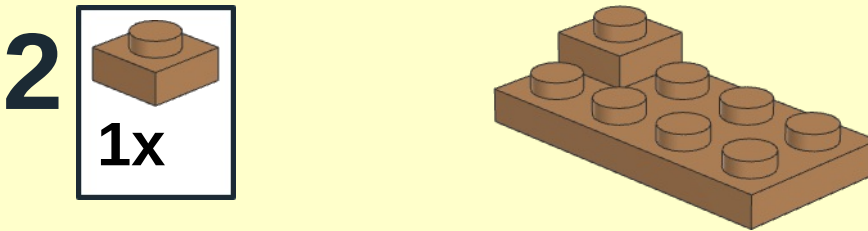
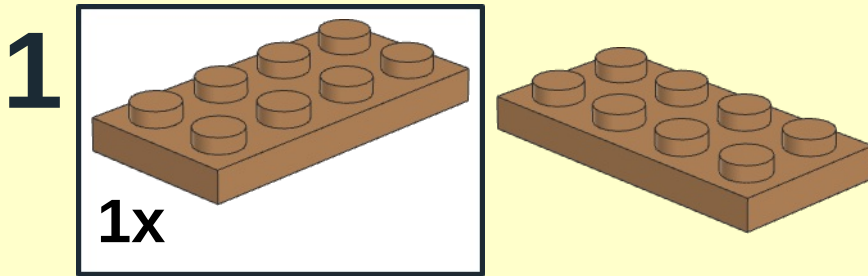


26




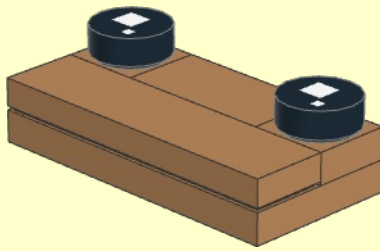


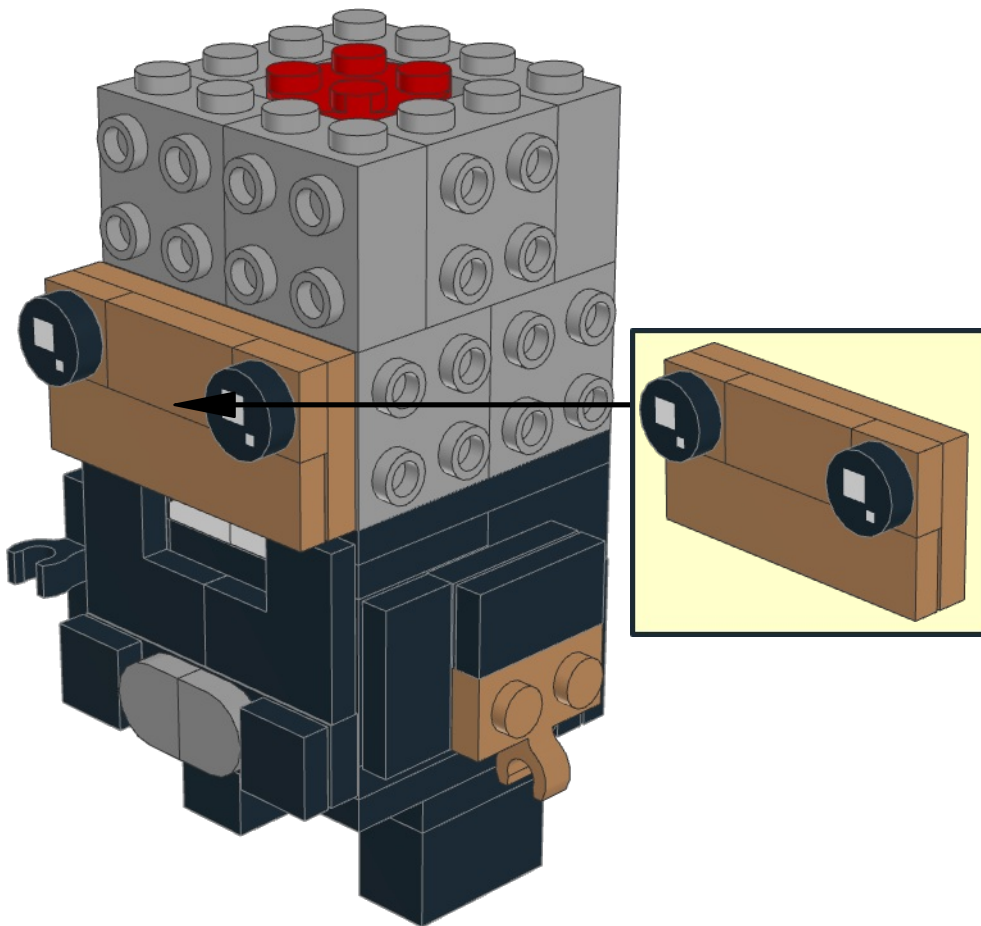




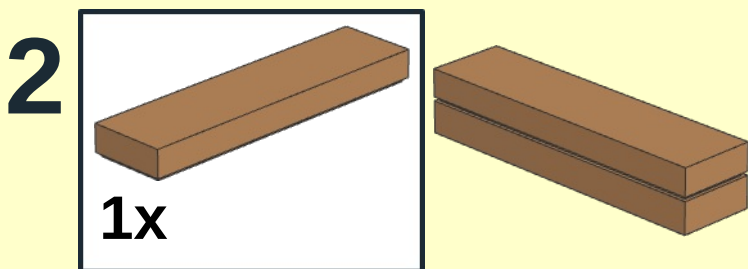
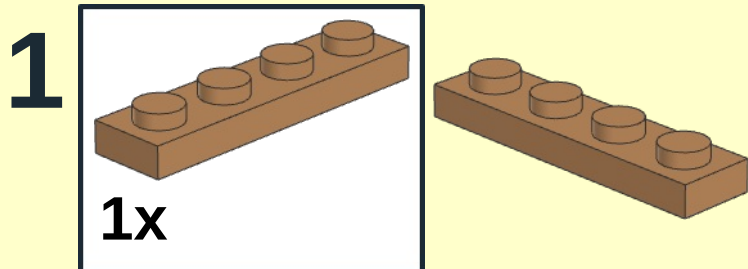
**6**

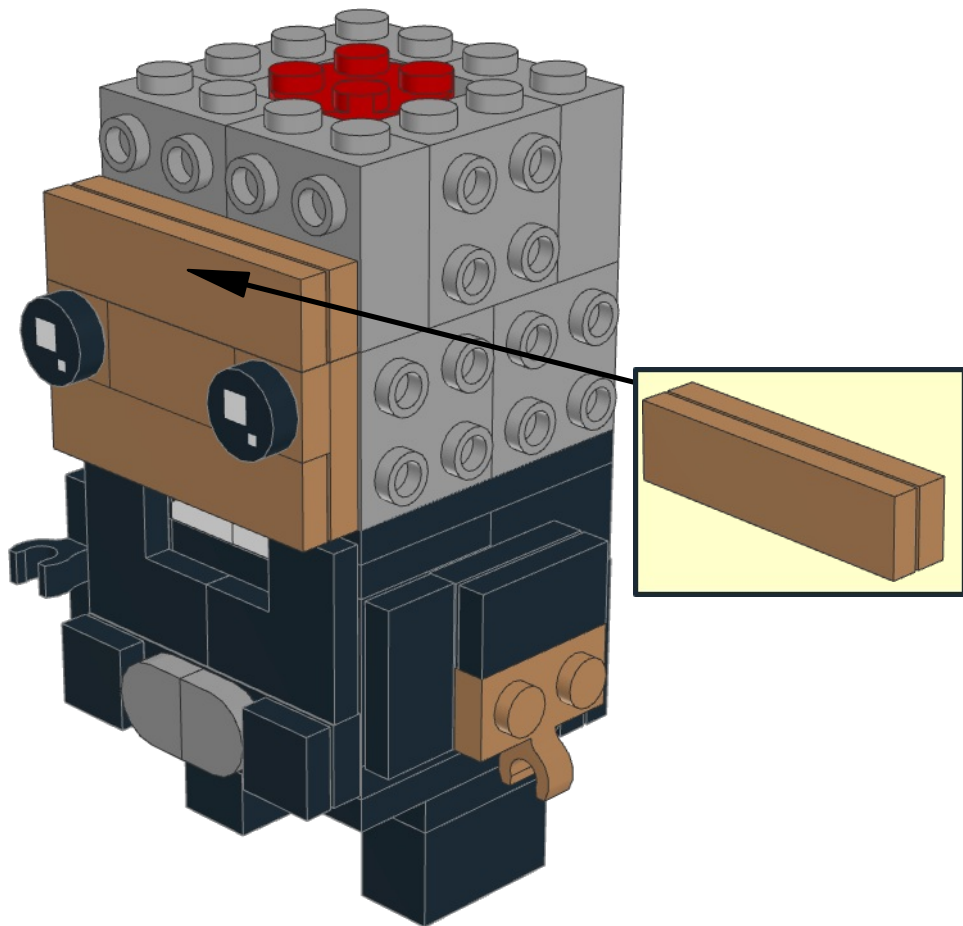
6   
2x

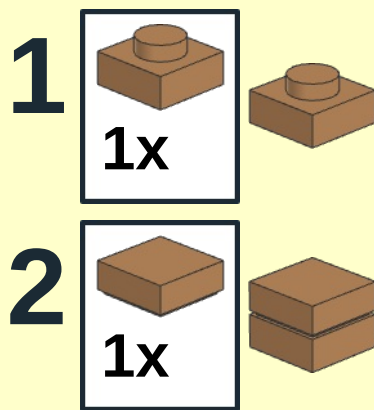


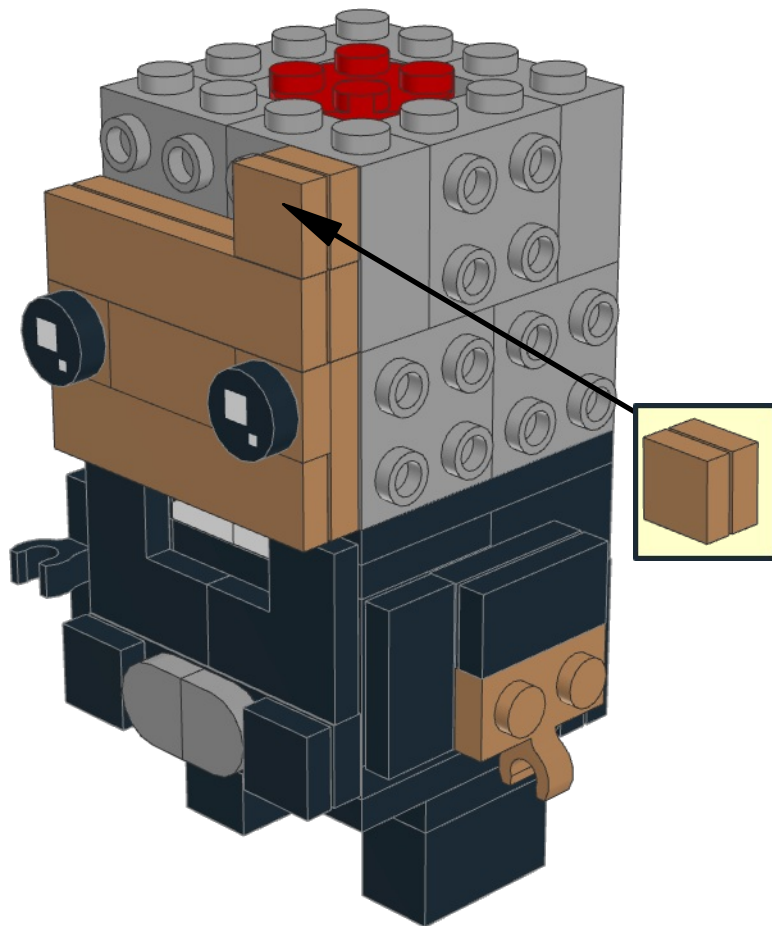




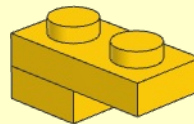
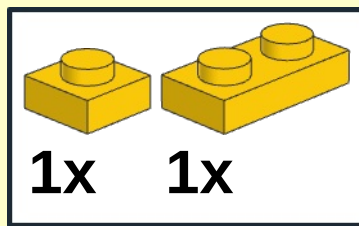




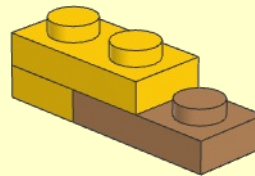
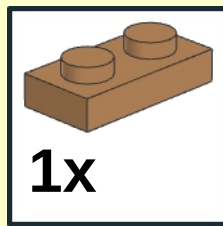




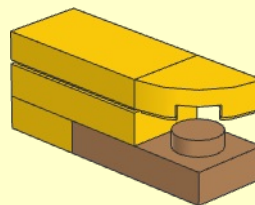
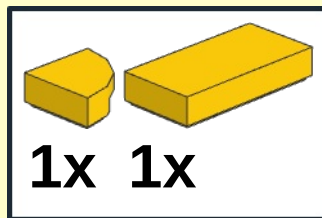
1



2

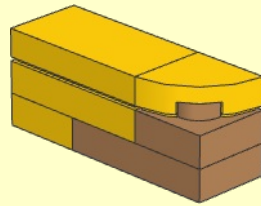
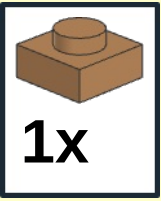


3

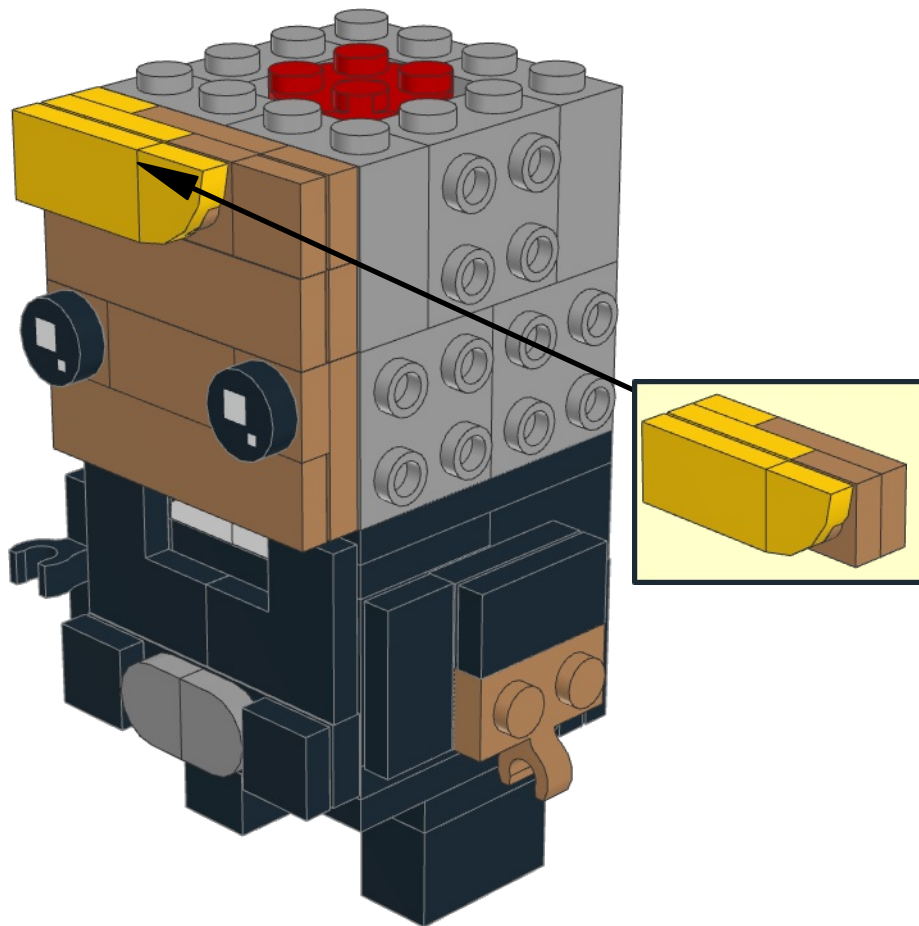


4

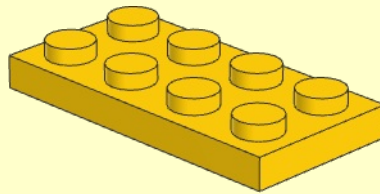
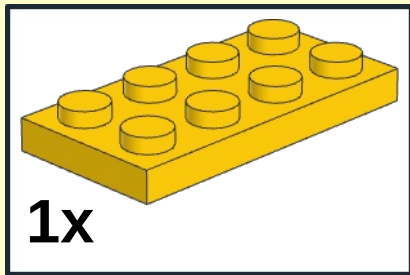
4



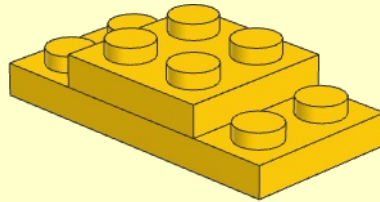
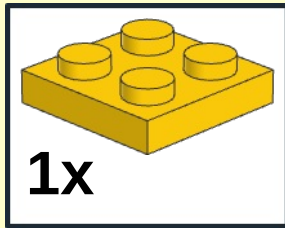




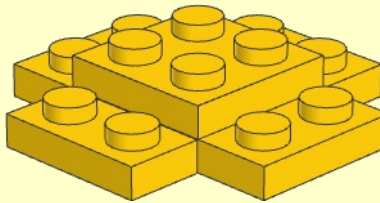
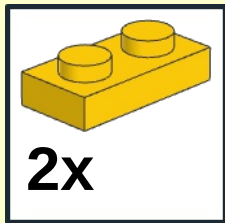
**1**

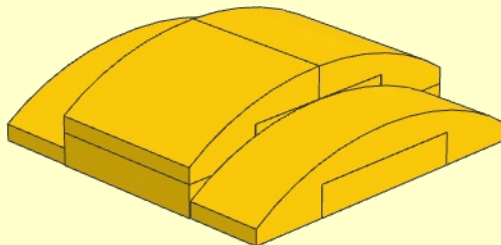
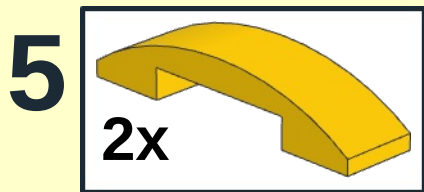
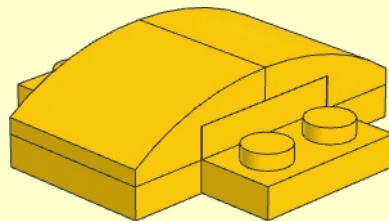
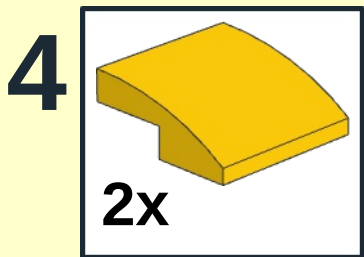


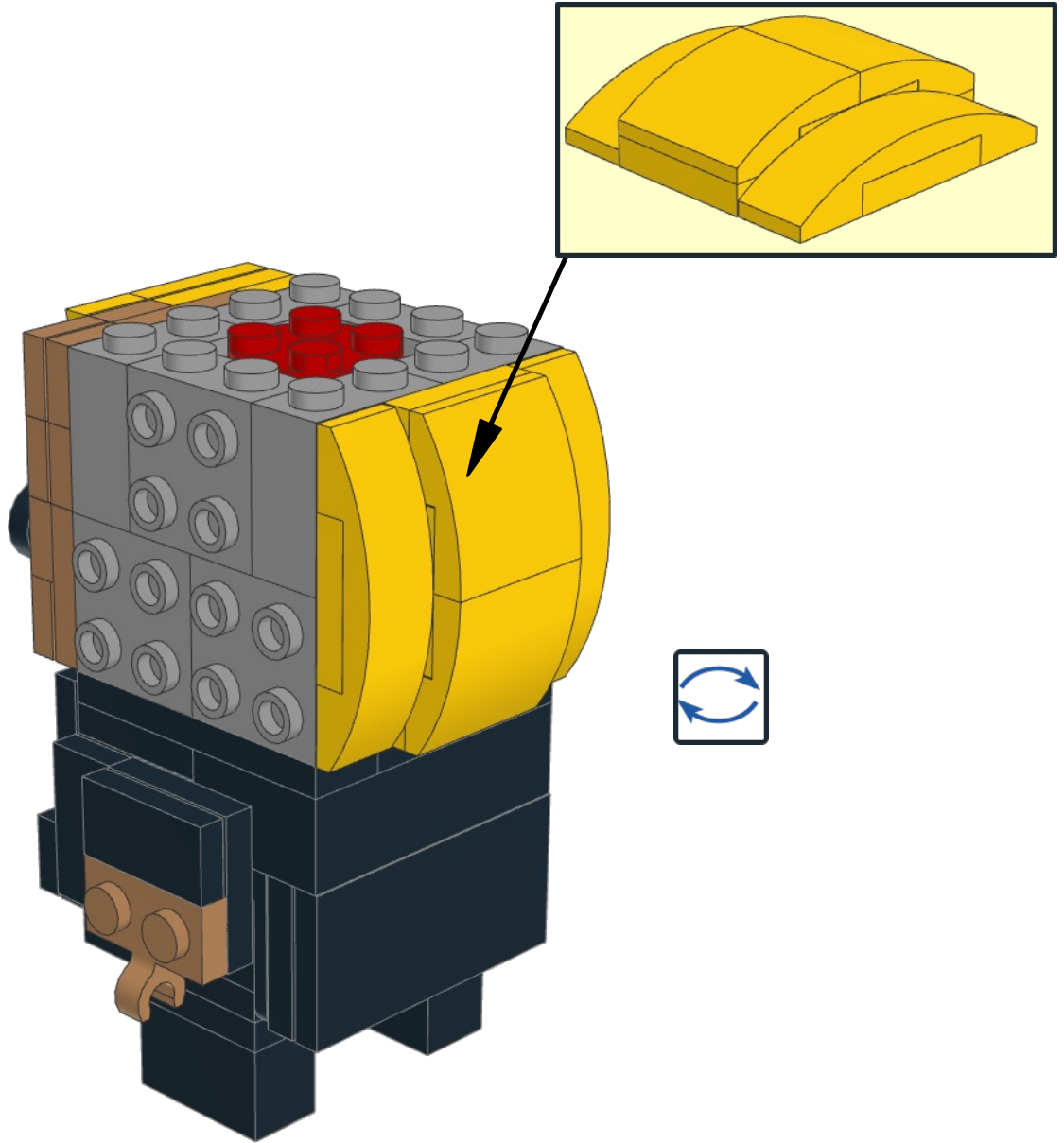
**2**

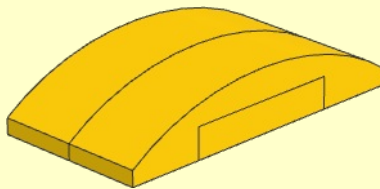
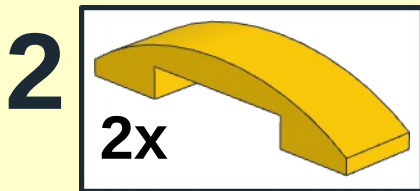
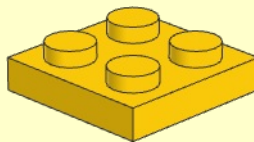
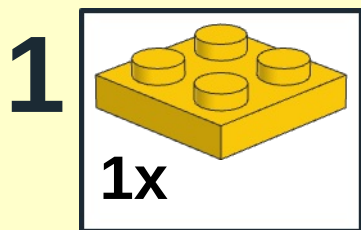


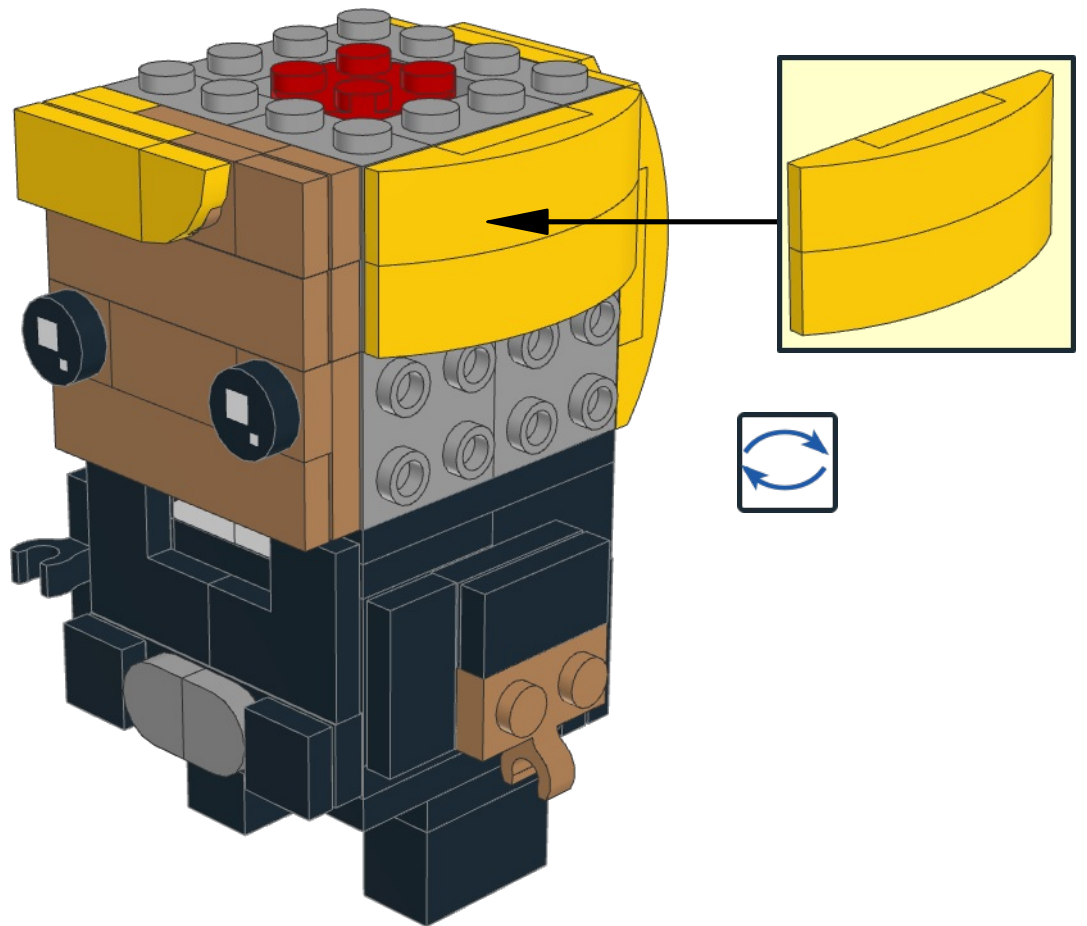
**3**



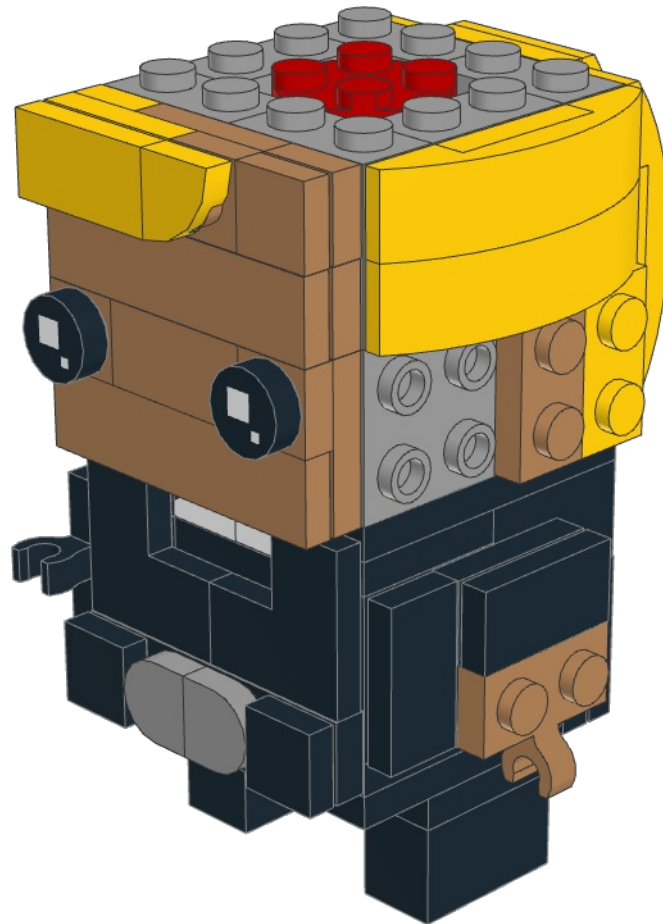
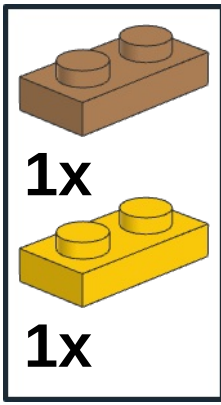




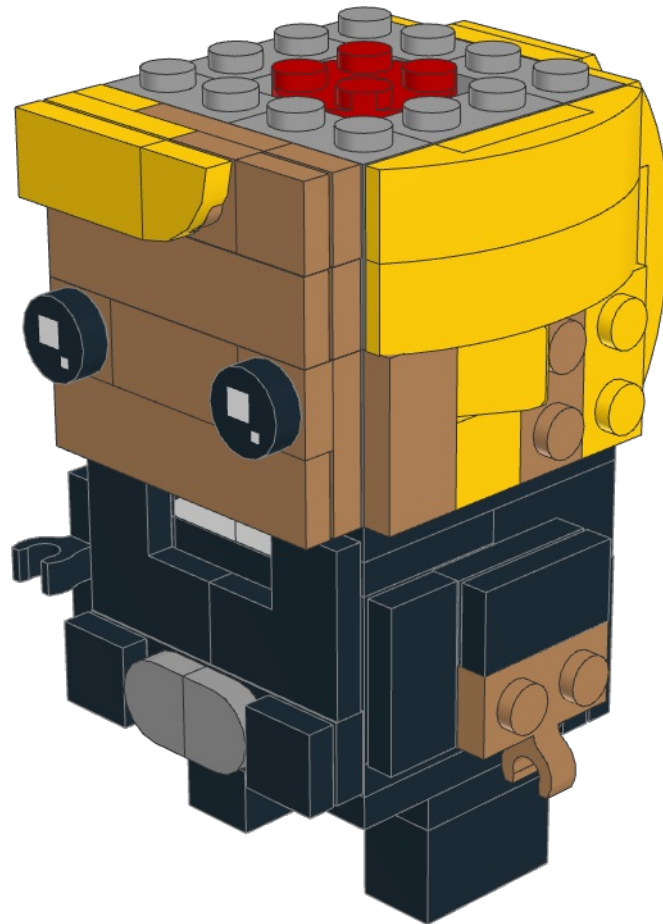
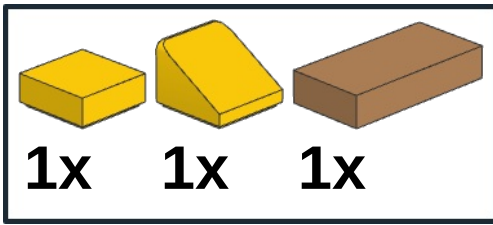




34

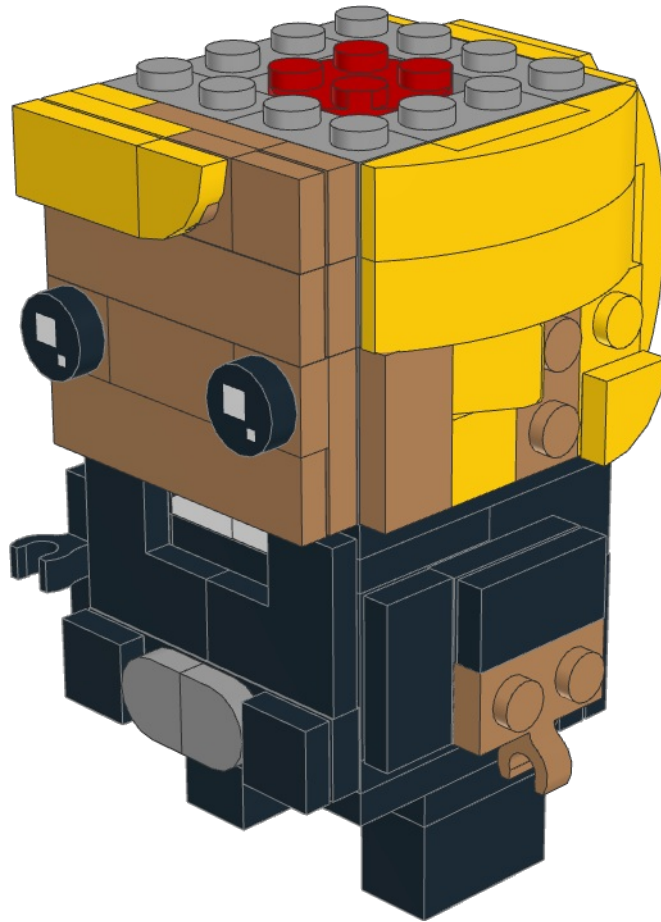
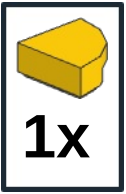


35

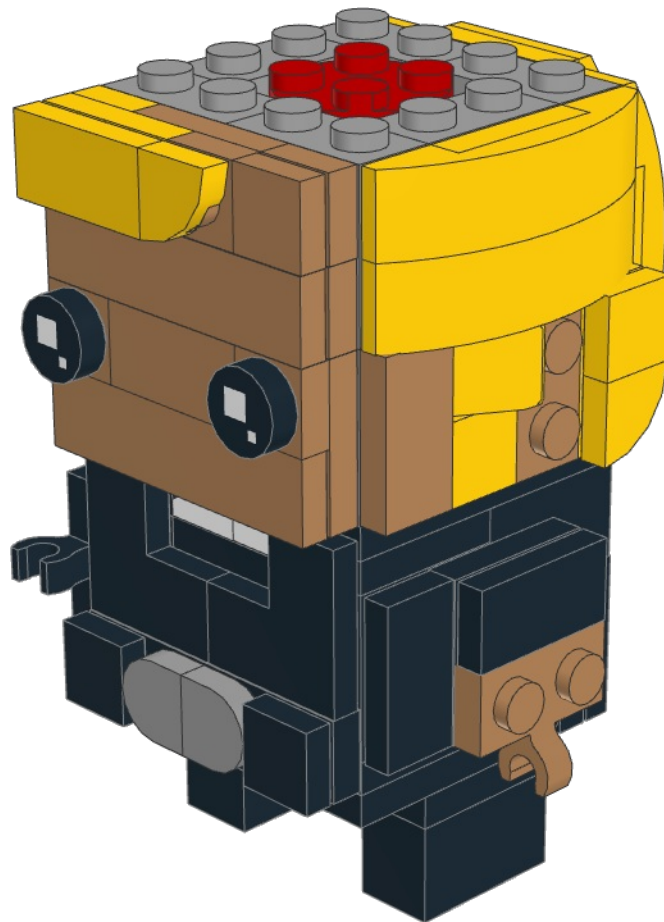
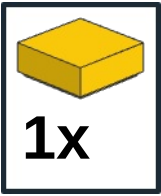




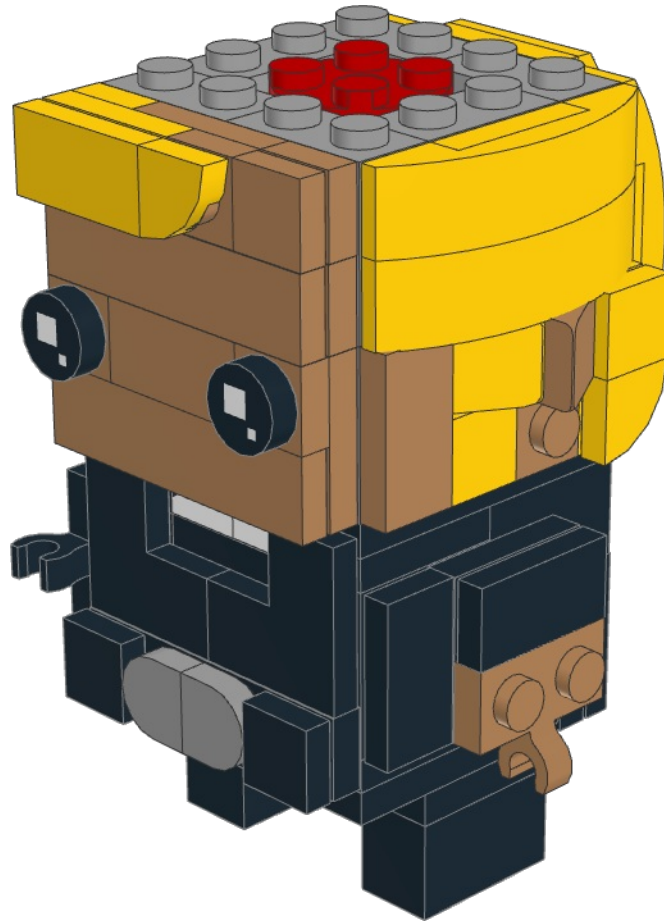
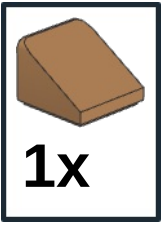
36



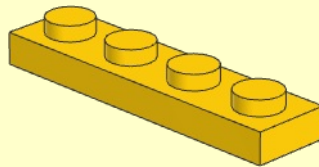
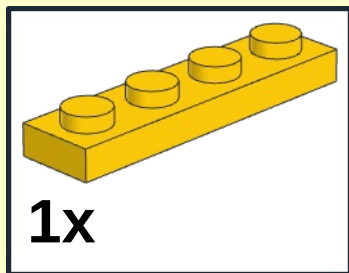
37



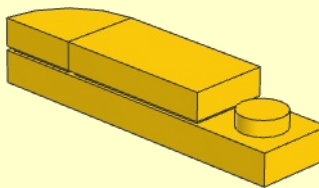
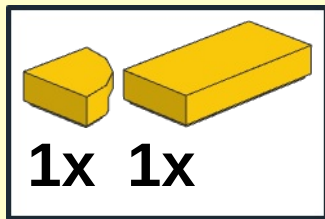
38



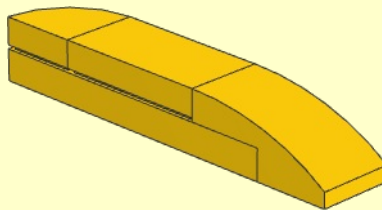
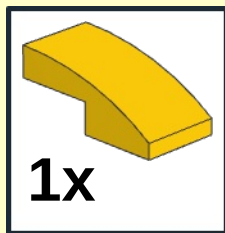
**1**

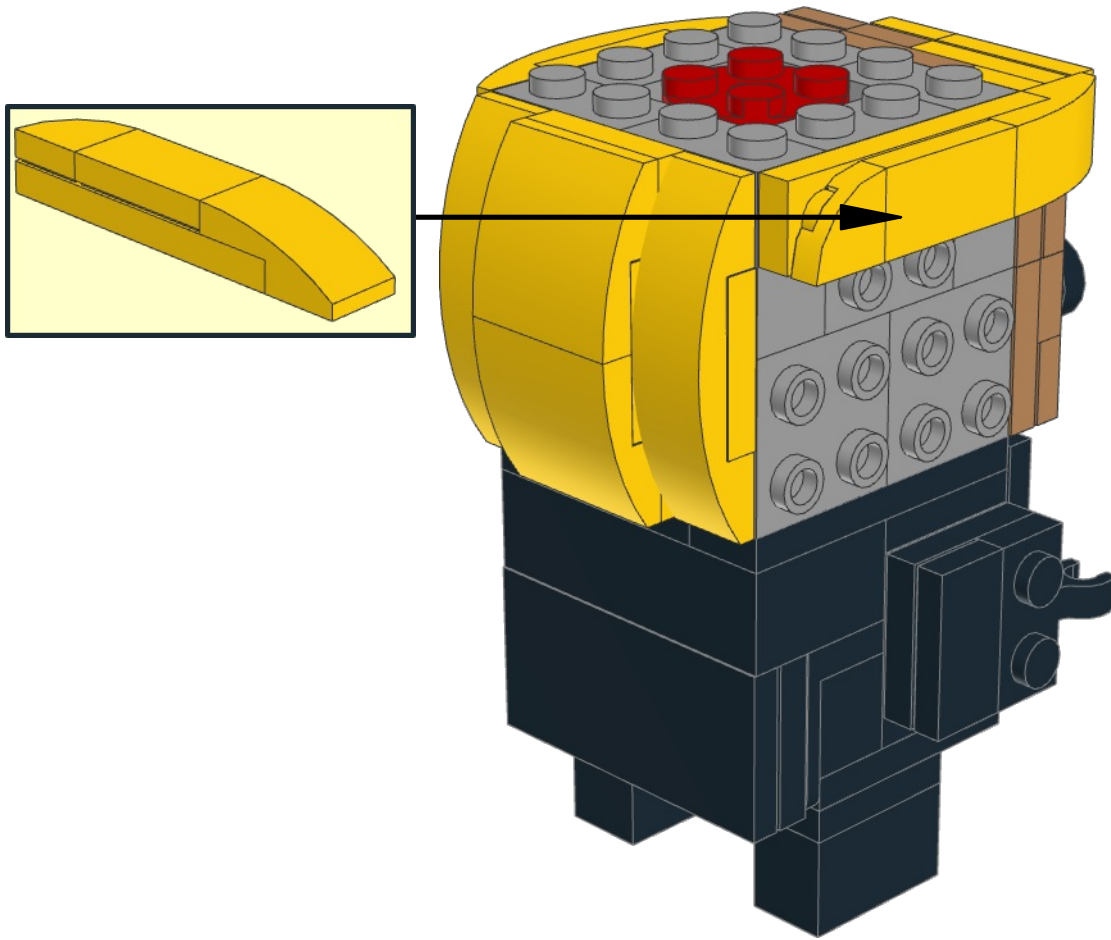


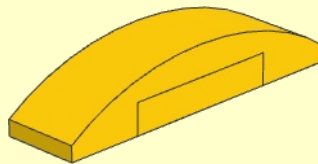
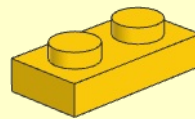
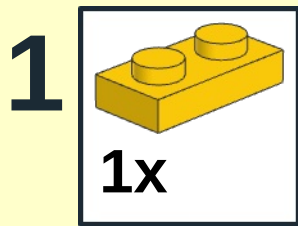
**2**

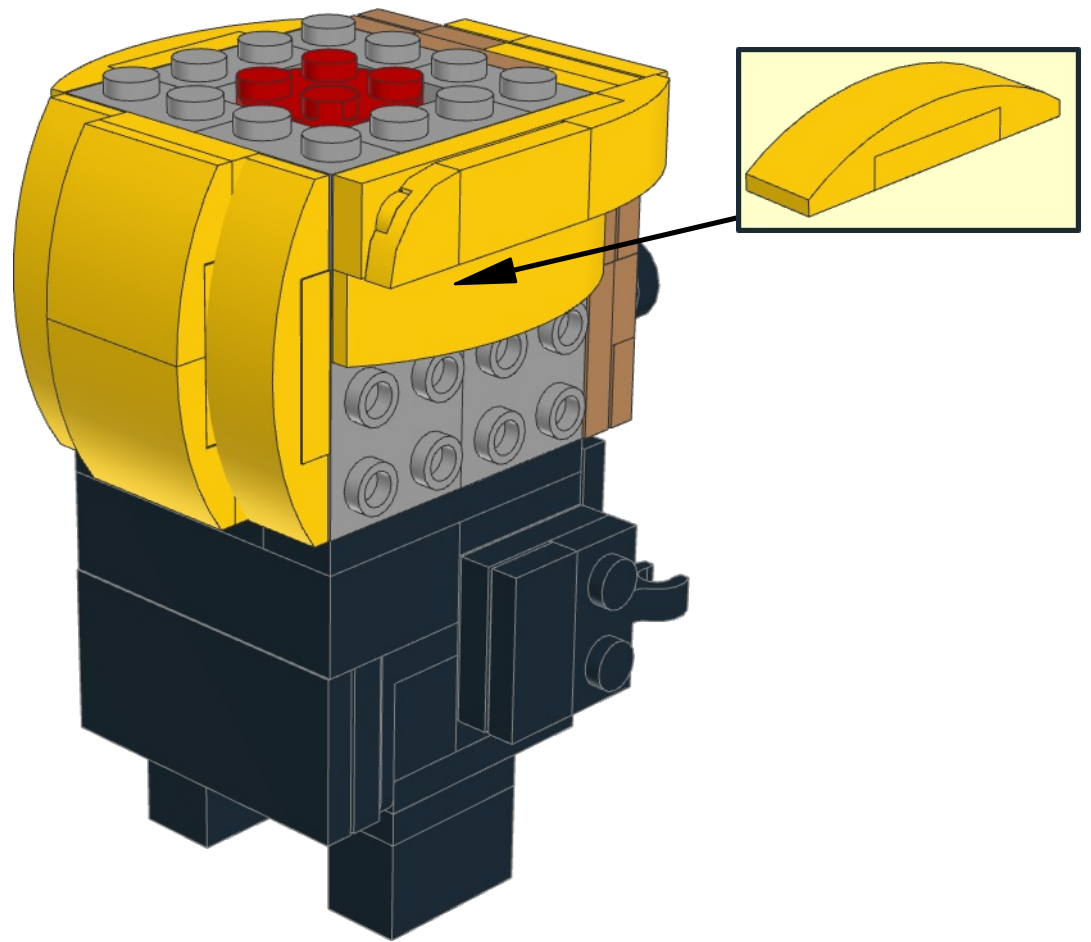


**3**

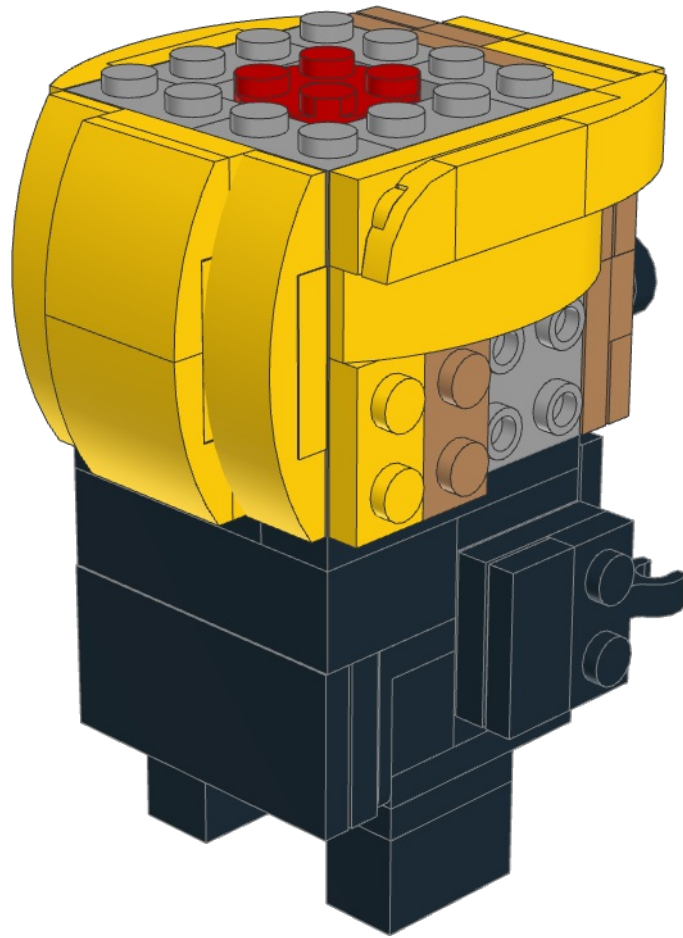
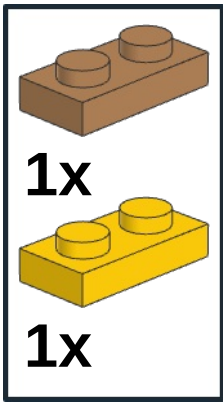






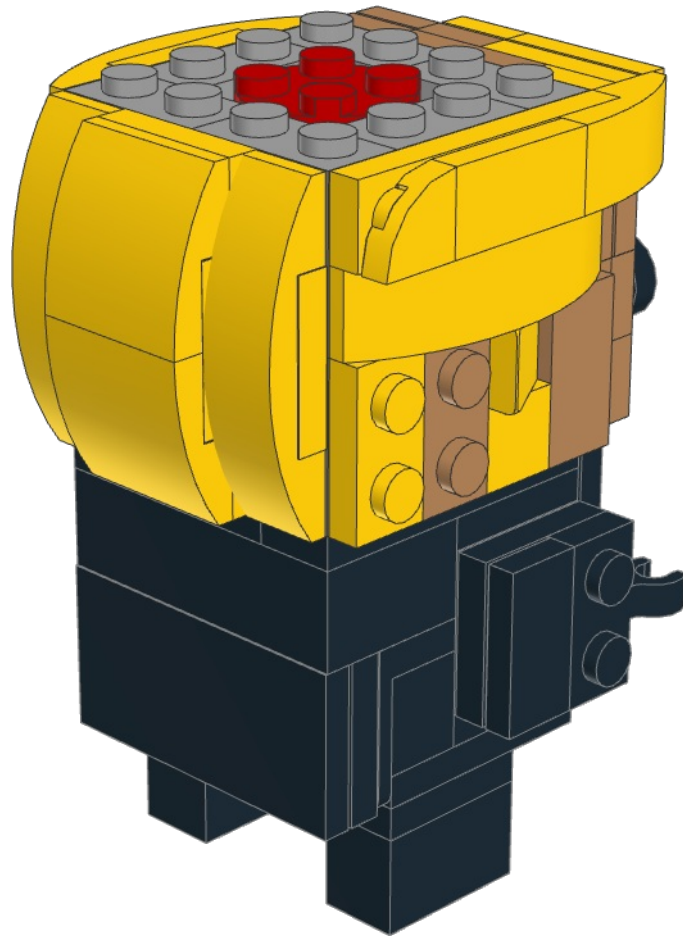
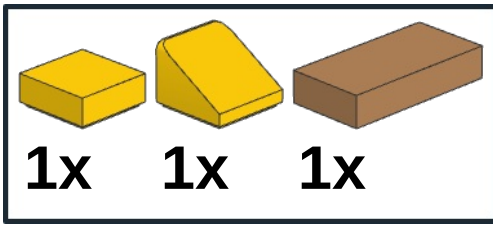


41

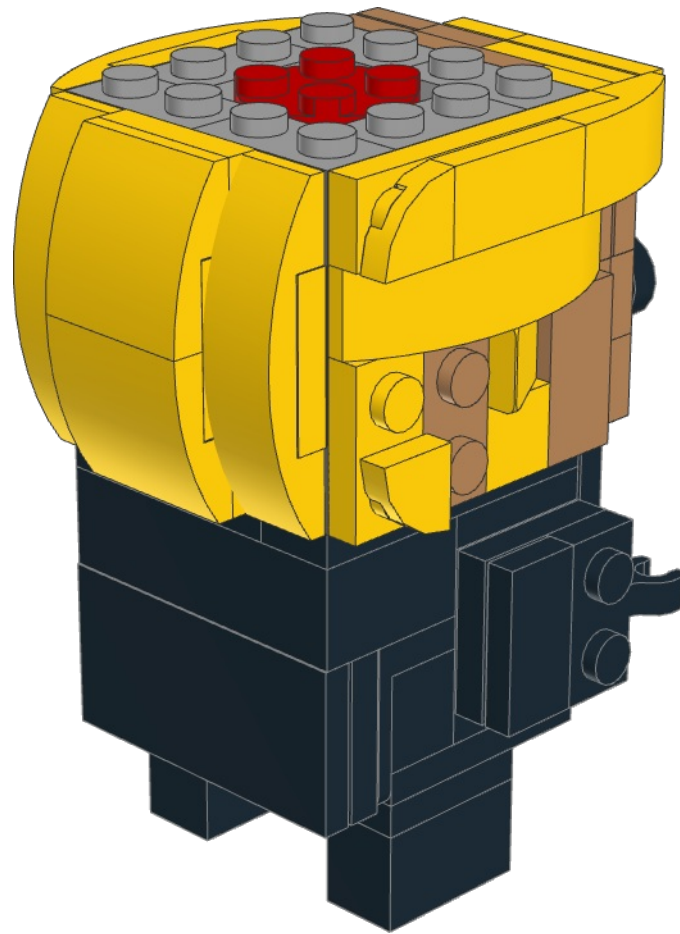
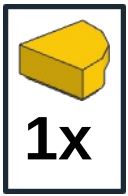




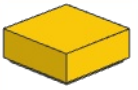
42



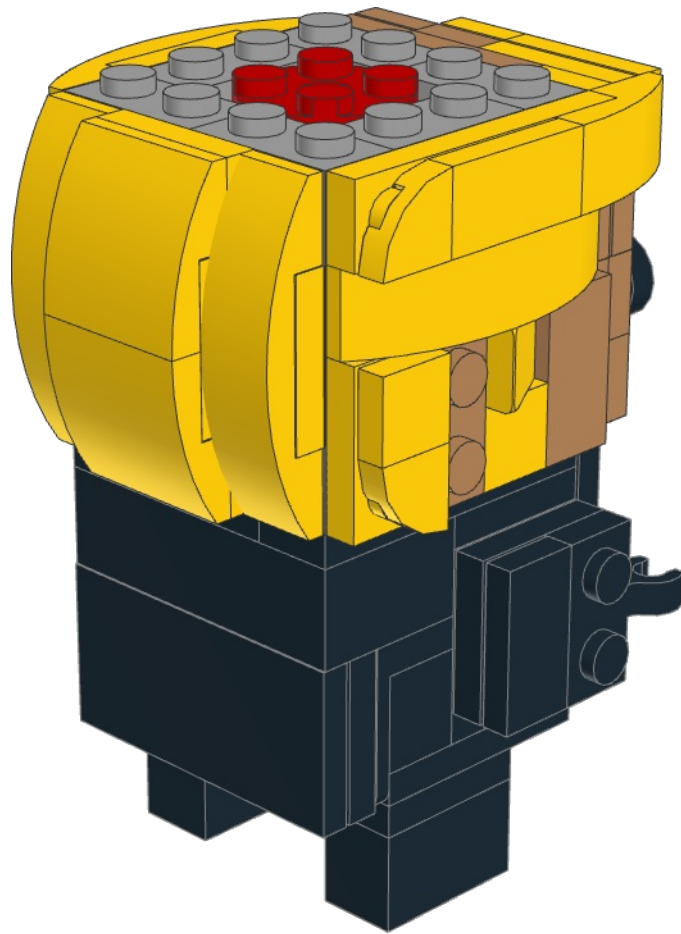
43



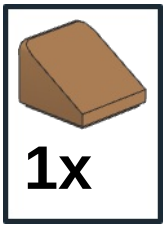
44



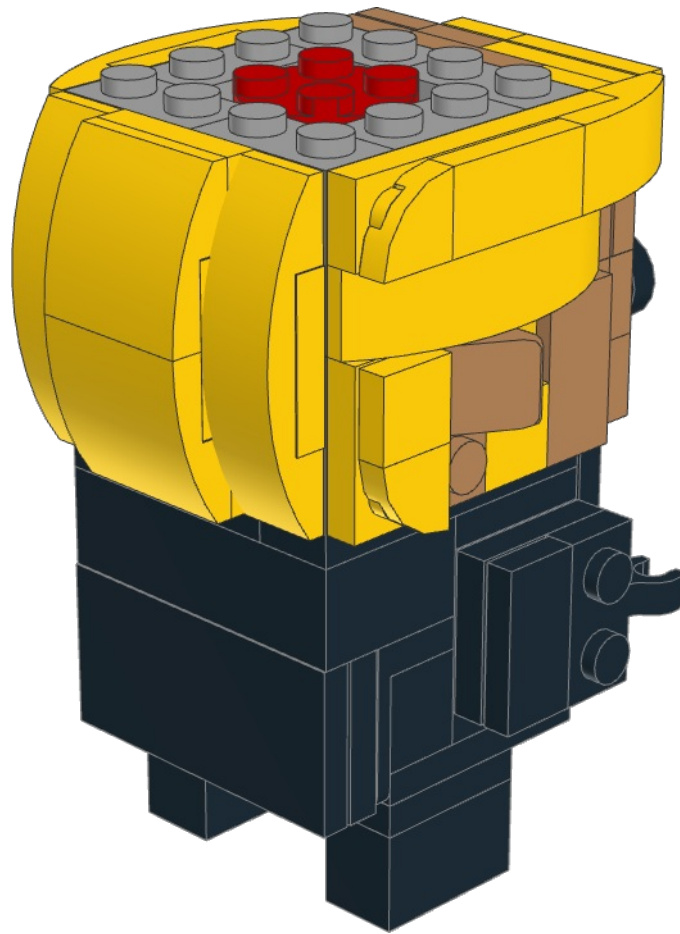
1x



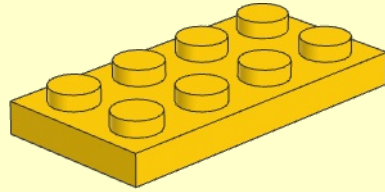
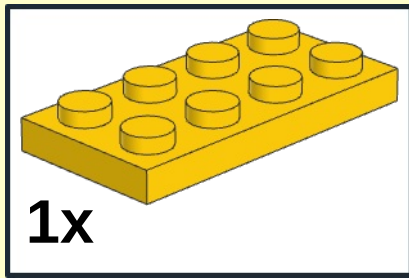
45



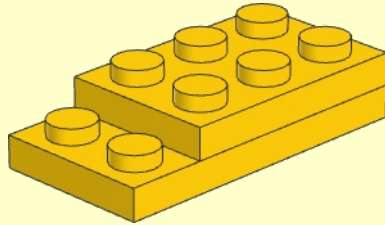
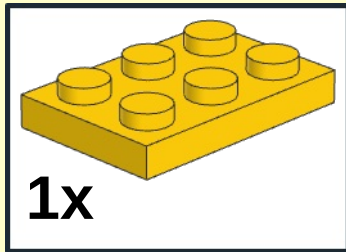
1x



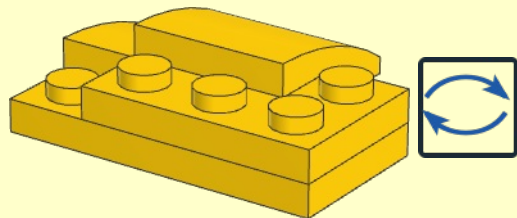
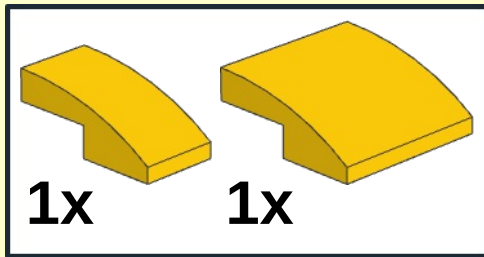
1



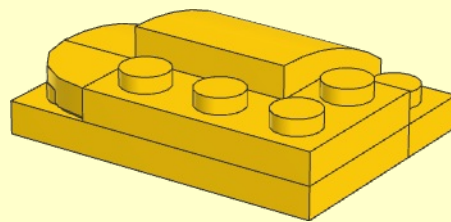
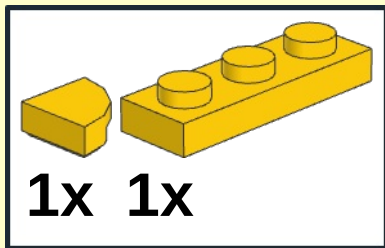
2

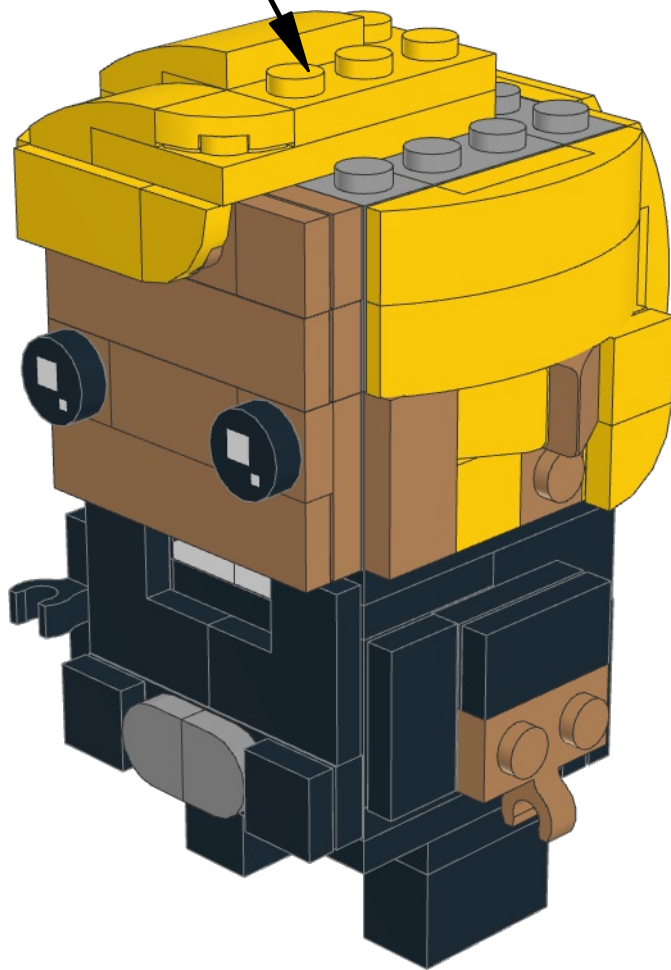
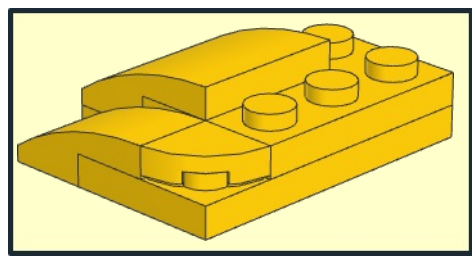


3

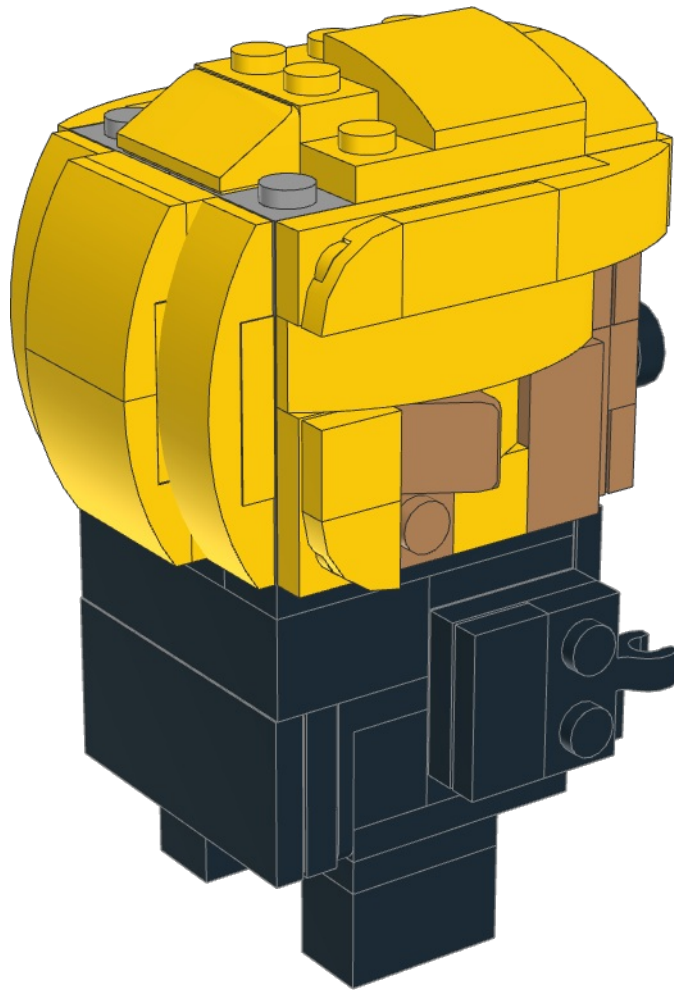
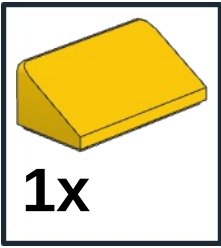


4

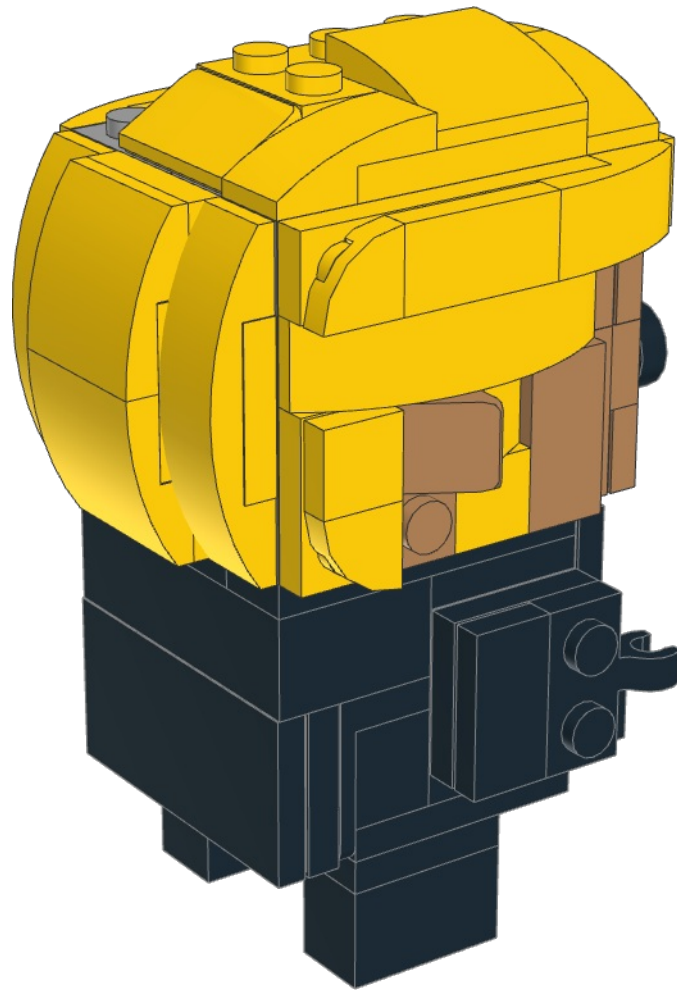
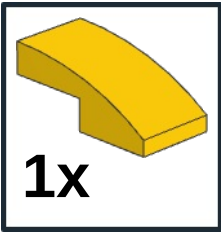




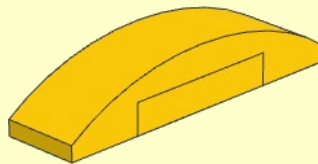
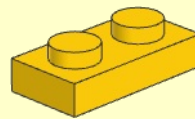
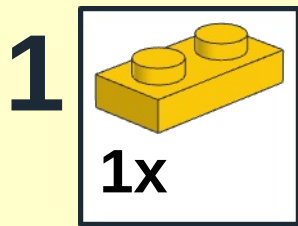
47

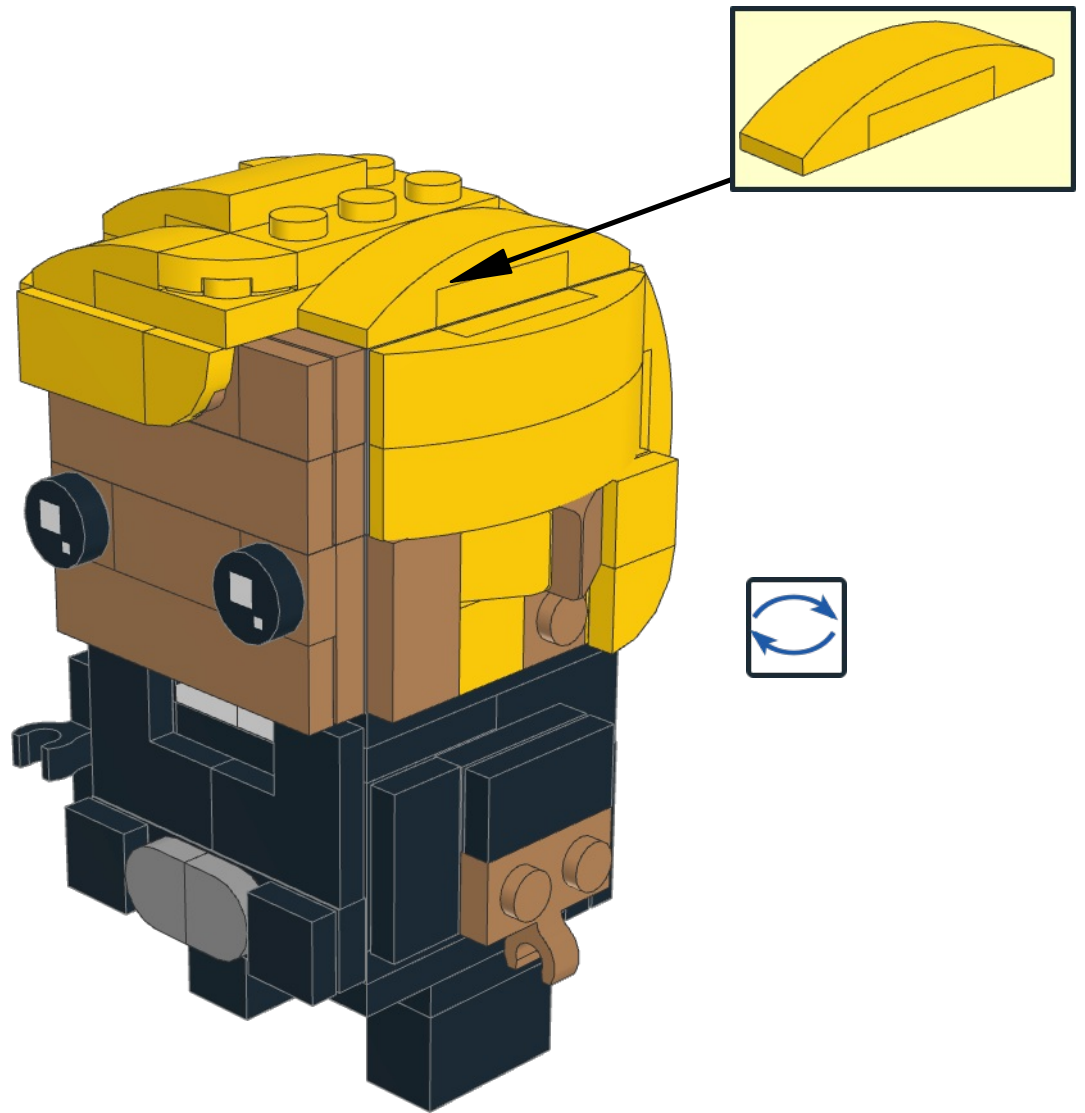


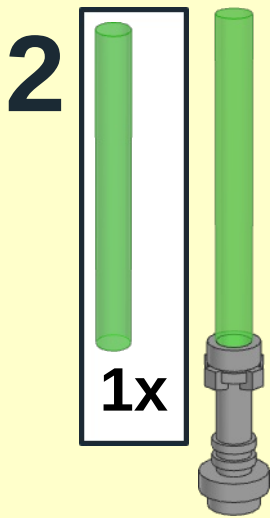
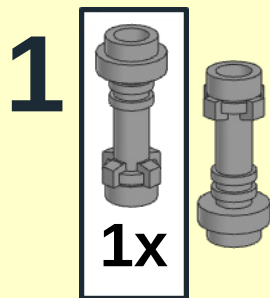
48

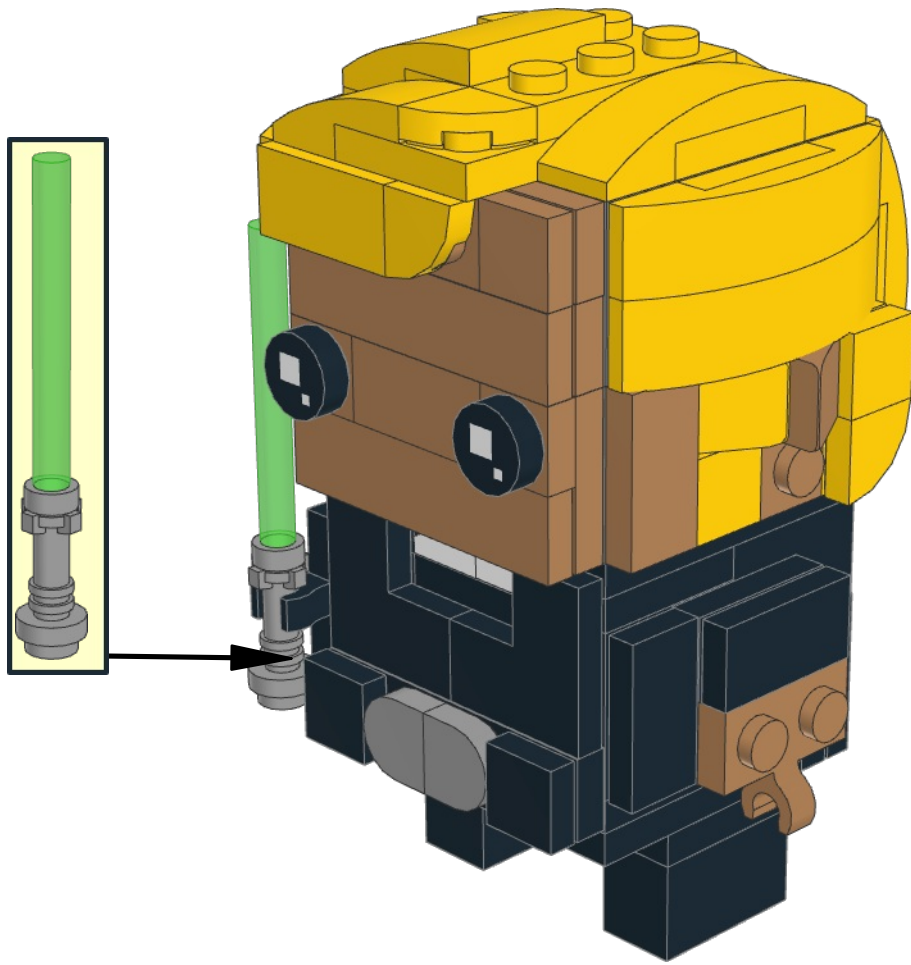


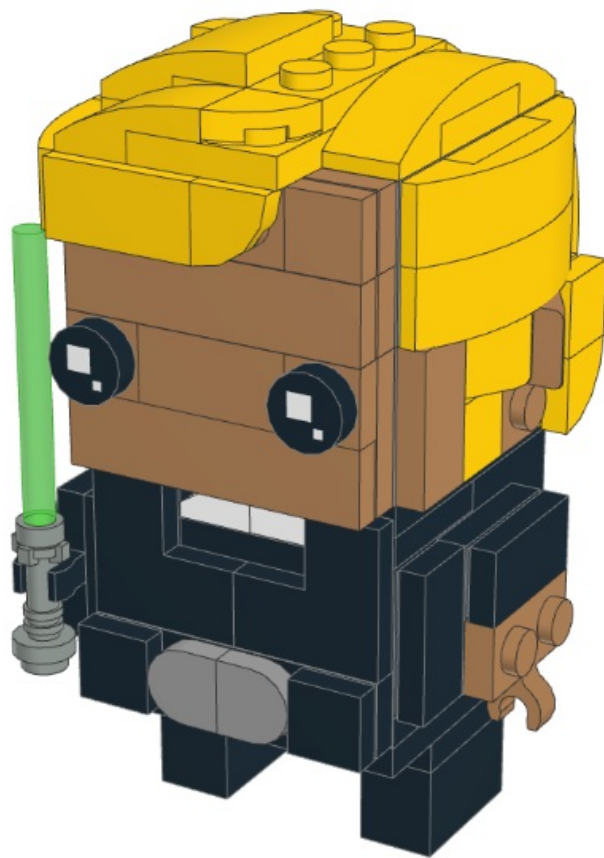


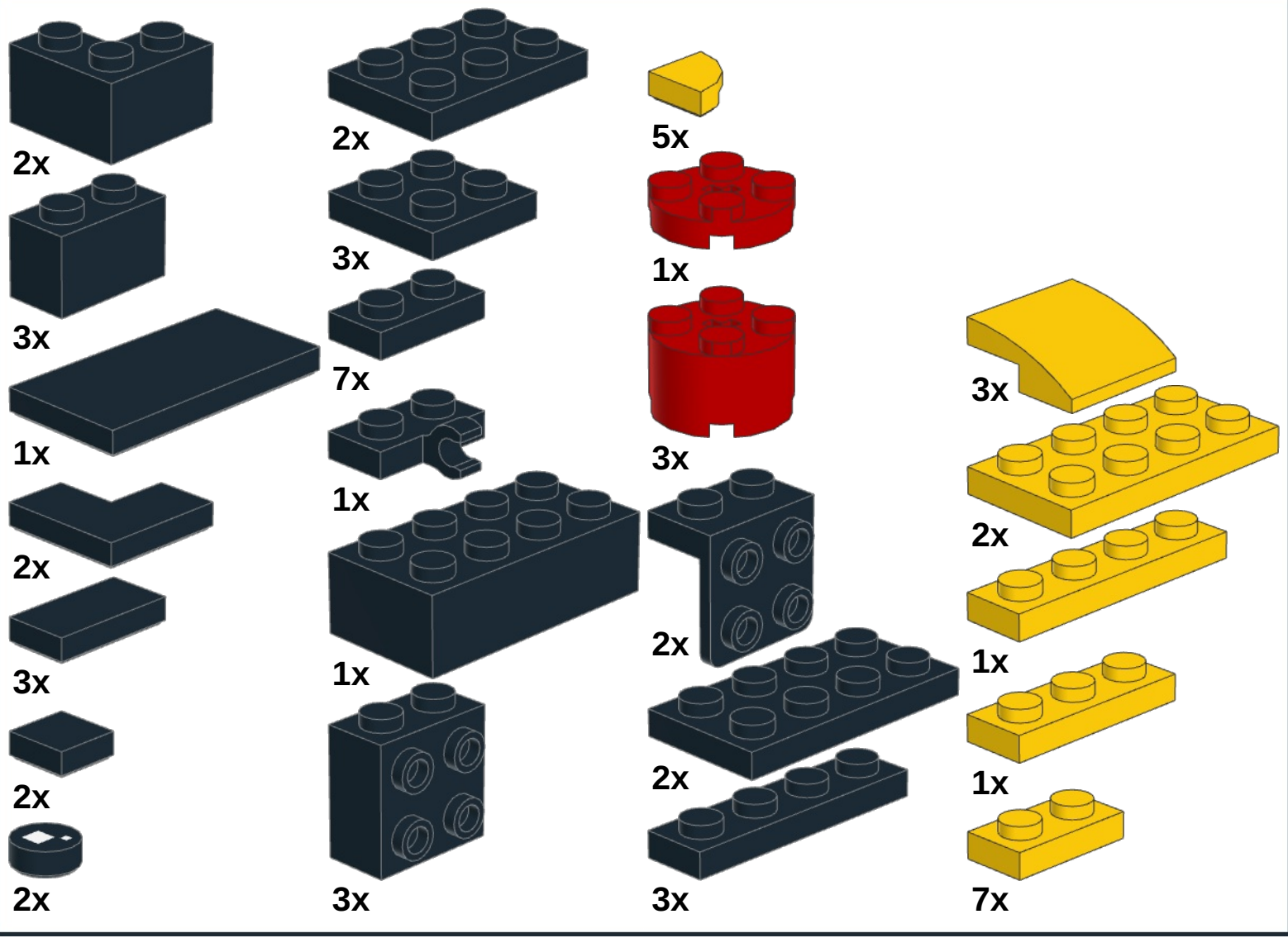


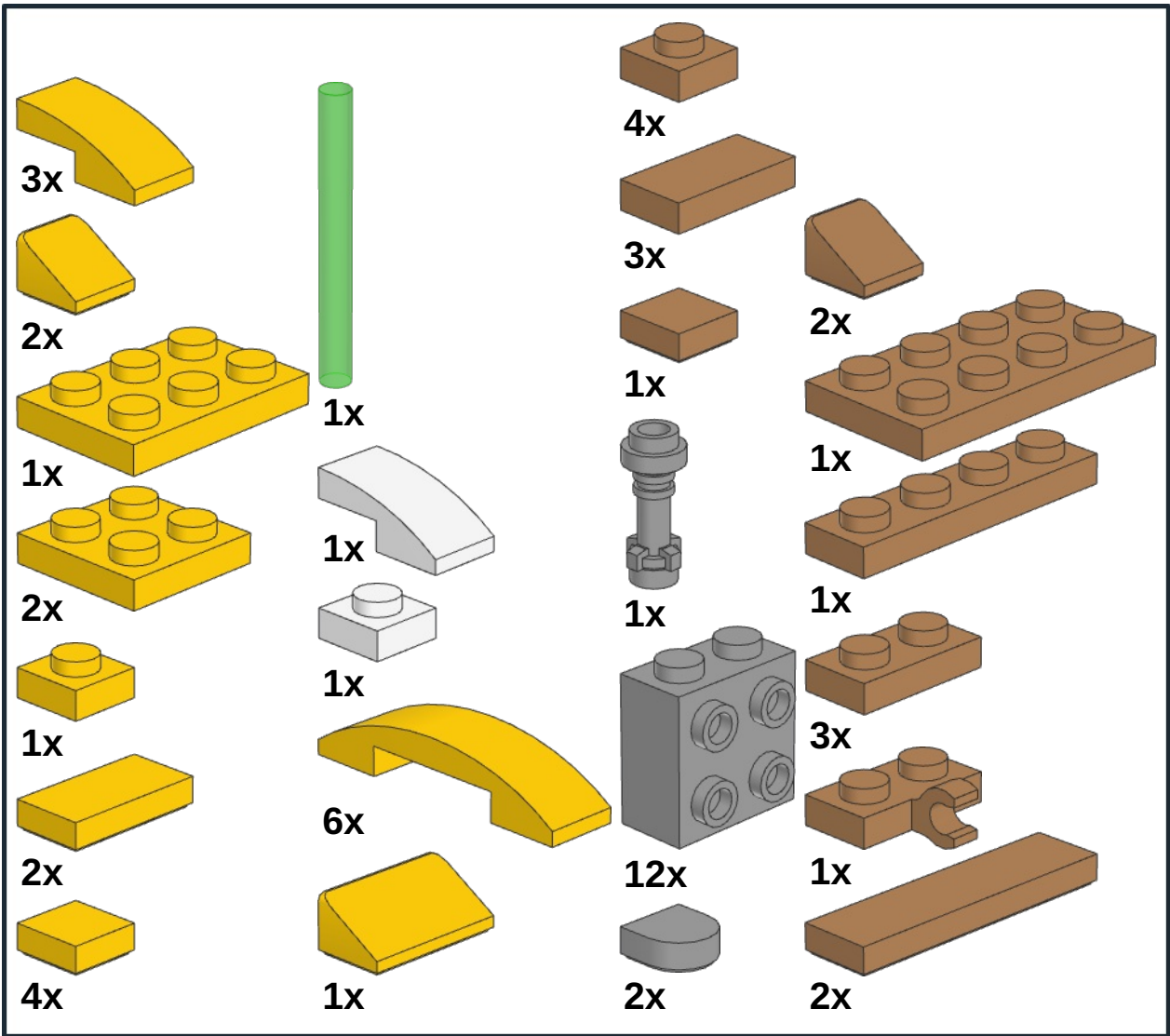
















Hope you had fun with this model and instructions.

As always you can reach out to me via email:

[birdbrickbuilds@gmail.com](mailto:birdbrickbuilds@gmail.com)

You can also check my work on rebrickable and  
instagram:

<https://rebrickable.com/users/birdbrickbuilds/>

<https://www.instagram.com/birdbrickbuilds/>

If you wish to help me continue to make this  
models and instructions you can buy me a coffee  
to help me stay up late:

<https://www.buymeacoffee.com/birdbrickbl>

**LEGO® is a registered trademark of the LEGO Group,  
which does not sponsor, endorse, or authorize these  
instructions or the model they depict.**



This work is licensed under a [Creative Commons Attribution-NonCommercial-ShareAlike 4.0 International License](#).

Instructions configured and generated using LPub3D 2.4.3.0.2557  
Download LPub3D at <https://trevorsandy.github.io/lpub3d/>

