

# SABER RIDER

AND THE  
STAR SHERIFFS

## RAMROD

FROM SABER RIDER

MODEL INSTRUCTIONS BY BIRD  
BRICK BUILDS

AUTHOR: EDUARDO SOUSA



161 PARTS



Step into the futuristic world of Saber Rider, a captivating sci-fi animated series that takes us on an intergalactic adventure filled with action, heroism, and camaraderie. At the heart of this thrilling show is Ramrod, a remarkable and powerful character whose presence and might have won the hearts of fans worldwide.

Ramrod, the awe-inspiring transforming robot, is an integral part of the classic animated series "Saber Rider and the Star Sheriffs." Set in a futuristic Wild West-themed space opera, the show gained popularity during the '80s and early '90s, captivating audiences with its thrilling adventures and unique blend of genres.

As the main vehicle/mecha used by the Star Sheriffs, Ramrod is a force to be reckoned with. This colossal spacecraft seamlessly transforms into a powerful robot to take on the Outriders. With black plating, highlighted by striking white parts in the arms, legs, and hands, Ramrod exudes an aura of strength and determination.

Ramrod's unique and imposing head design resembles that of a cowboy hat, adding a touch of the Old West to its futuristic appearance. This signature feature pays homage to the Wild West-themed setting of the series, setting it apart from other mechas and spacecraft.

When Ramrod goes into combat mode, it reveals the hidden canons folded in its chest, ready to unleash powerful blasts to decimate the enemies. As the voice command initiates the transformation sequence, the ship's fuselage bends backward, forming the iconic cape-like feature that signals Ramrod's readiness for action.

Now, fans can celebrate their love for this remarkable character with the LEGO BrickHeadz Ramrod from "Saber Rider and the Star Sheriffs"! This meticulously crafted collectible brings Ramrod to life in an adorable and iconic brick-built style.

The BrickHeadz Ramrod captures all of its defining features, from its imposing black plating to the cowboy-hat-like head and the canons folded in its chest. With its buildable and displayable design, this BrickHeadz set perfectly commemorates Ramrod's might and significance, making it a must-have addition for "Saber Rider and the Star Sheriffs" enthusiasts and LEGO collectors alike.

Whether displayed proudly alongside other BrickHeadz or used as an inspiring desk ornament, the LEGO BrickHeadz Ramrod from "Saber Rider and the Star Sheriffs" is a true testament to the enduring legacy of this beloved animated series and its unforgettable characters. Embrace the spirit of adventure and justice with this charming collectible, as you join Ramrod and the Star Sheriffs in their quest to protect the galaxy from the forces of darkness!

"Saber Rider and the Star Sheriffs" continues to hold a special place in the hearts of fans as a timeless classic. Ramrod's character remains an enduring symbol of power, teamwork, and unwavering dedication to safeguarding the cosmos, inspiring generations of audiences to believe in the strength of unity and the pursuit of a better future for all.



# Attribution-NonCommercial-ShareAlike 4.0 International (CC BY-NC-SA 4.0)

This is a human-readable summary of (and not a substitute for) the [license](#). [Disclaimer](#).

## You are free to:

**Share** — copy and redistribute the material in any medium or format

**Adapt** — remix, transform, and build upon the material

The licensor cannot revoke these freedoms as long as you follow the [license terms](#).

---

## Under the following terms:



**Attribution** — You must give [appropriate credit](#), provide a link to the license, and [indicate if changes were made](#). You may do so in any reasonable manner, but not in any way that suggests the licensor endorses you or your use.



**NonCommercial** — You may not use the material for [commercial purposes](#).



**ShareAlike** — If you remix, transform, or build upon the material, you must distribute your contributions under the [same license](#) as the original.

**No additional restrictions** — You may not apply legal terms or [technological measures](#) that legally restrict others from doing anything the license permits.

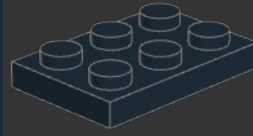
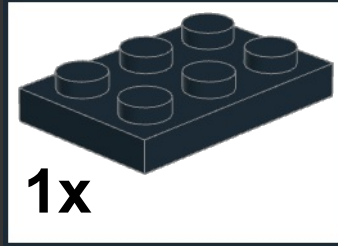
---

## Notices:

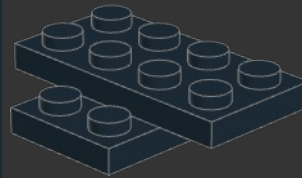
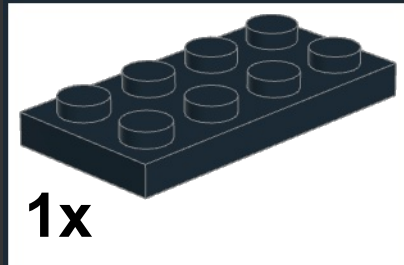
You do not have to comply with the license for elements of the material in the public domain or where your use is permitted by an applicable [exception or limitation](#).

No warranties are given. The license may not give you all of the permissions necessary for your intended use. For example, other rights such as [publicity, privacy, or moral rights](#) may limit how you use the material.

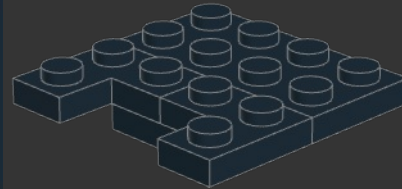
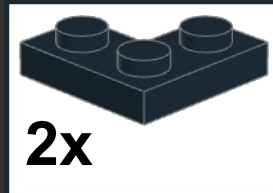
1



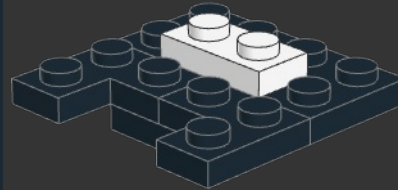
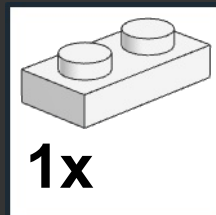
2



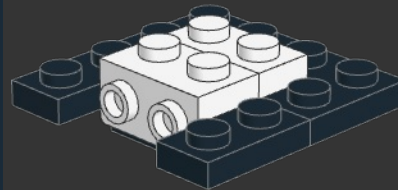
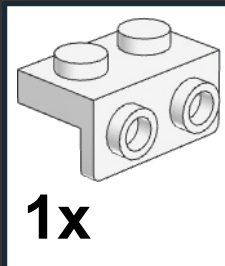
3



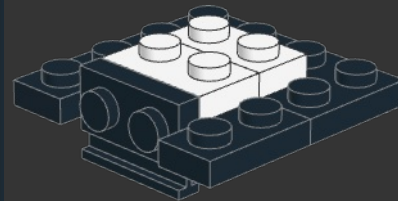
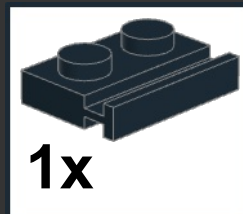
4



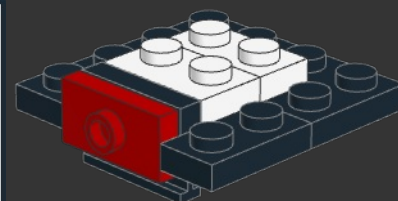
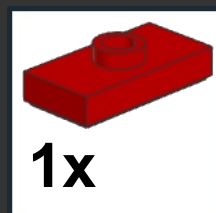
5



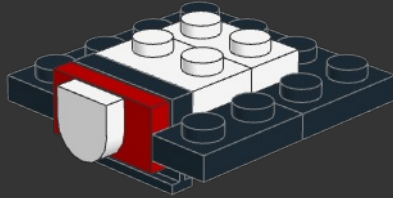
6



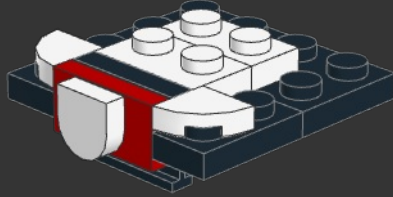
7



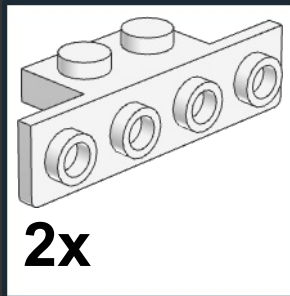
8  
1x



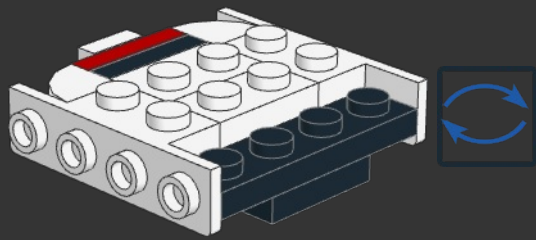
9  
2x



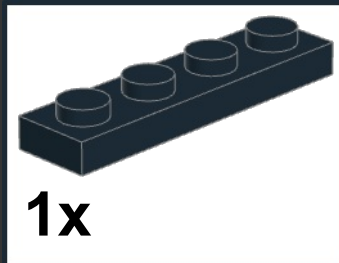
10



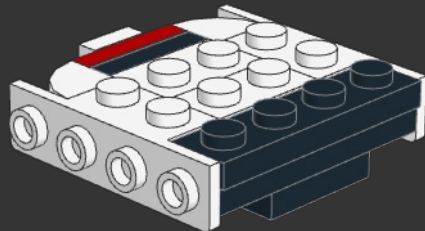
2x



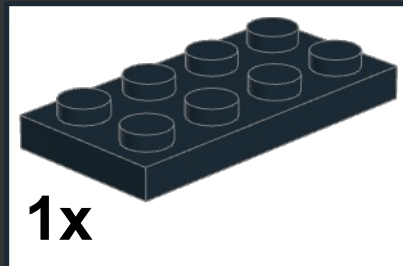
11



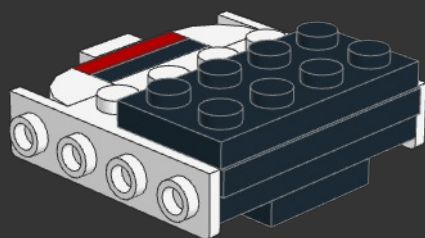
1x



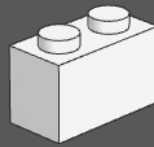
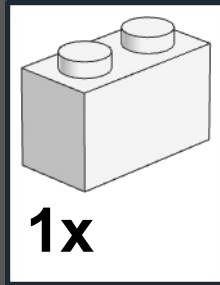
12



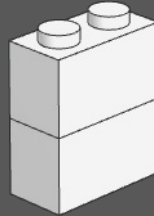
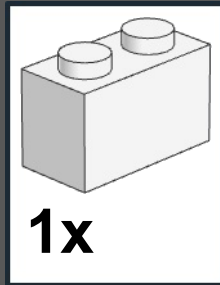
1x



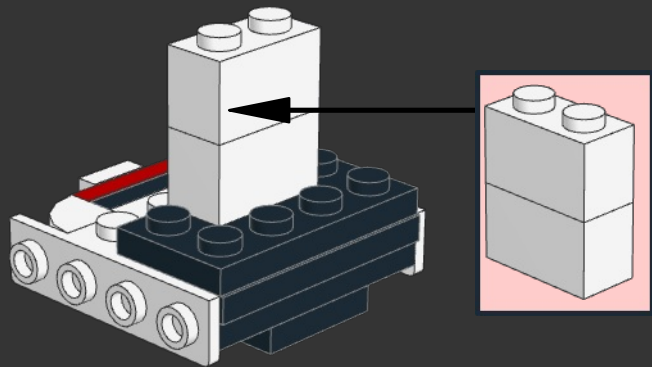
1



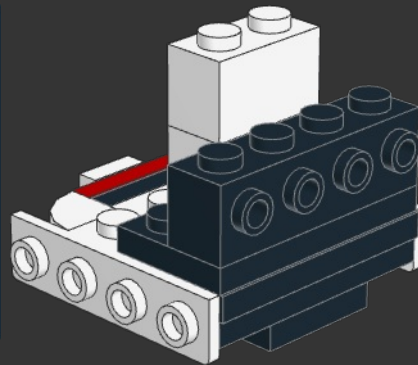
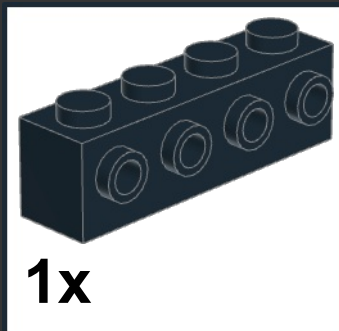
2



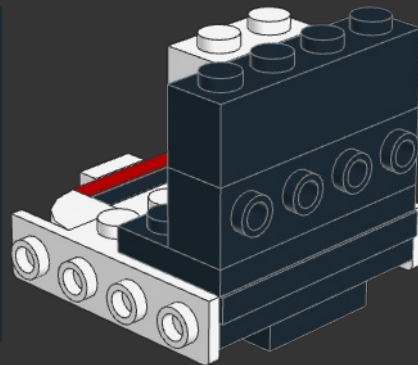
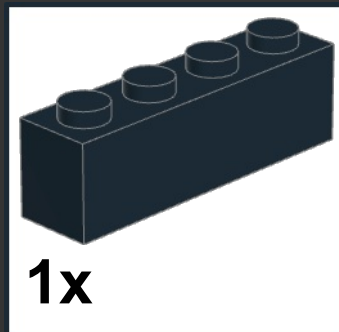
13



14

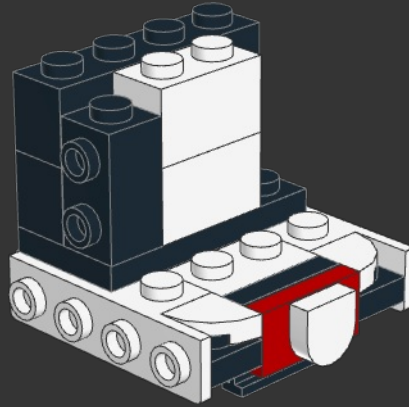


15

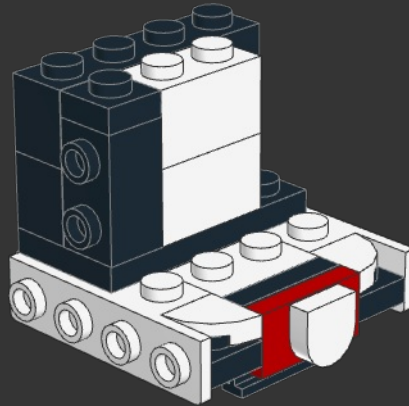
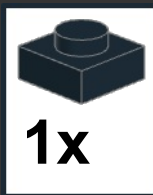




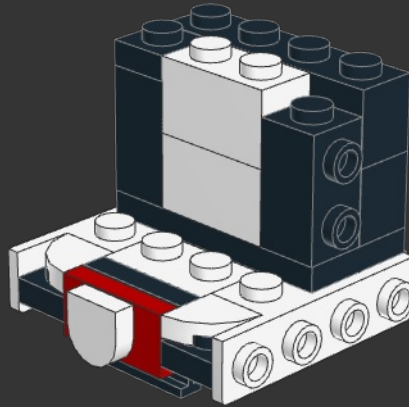
16



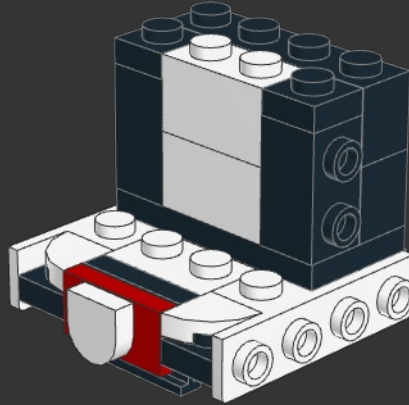
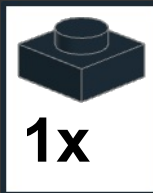
17



18



19



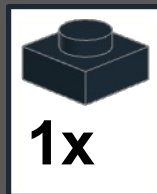
1



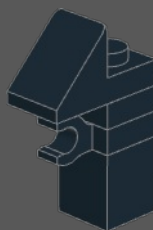
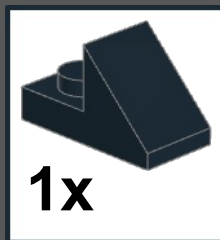
2



3

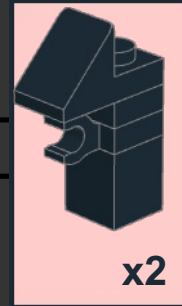
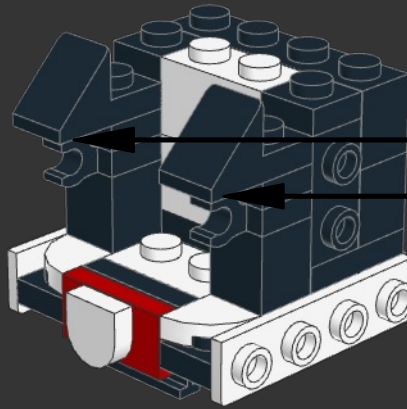


4

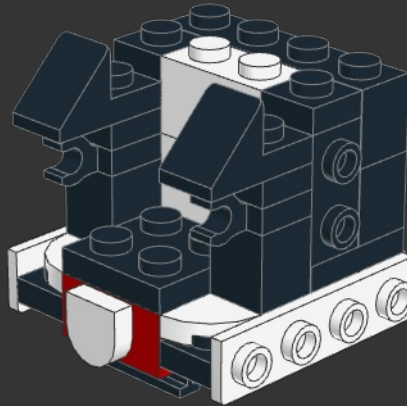
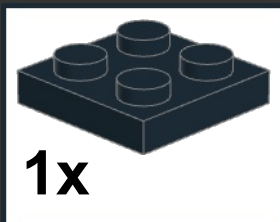


x2

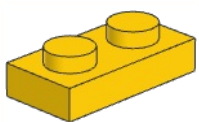
20



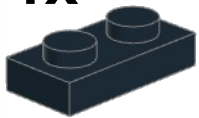
21



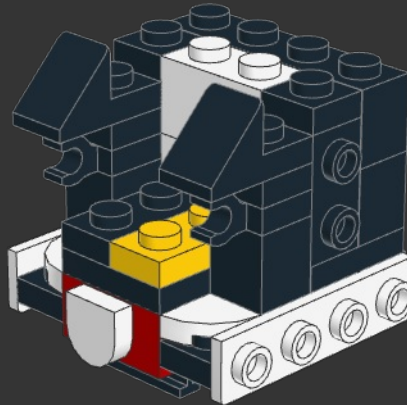
22



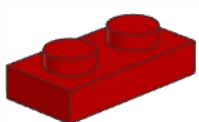
1x



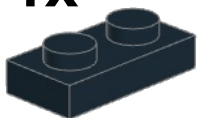
1x



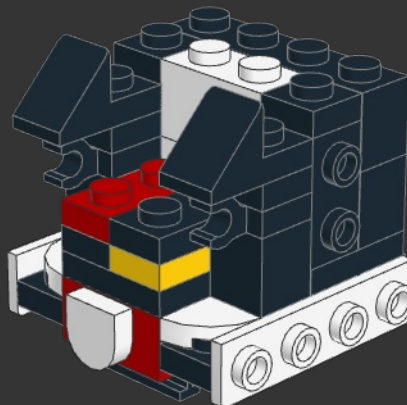
23



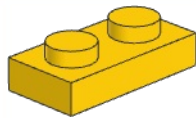
1x



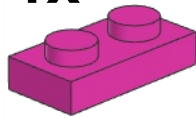
1x



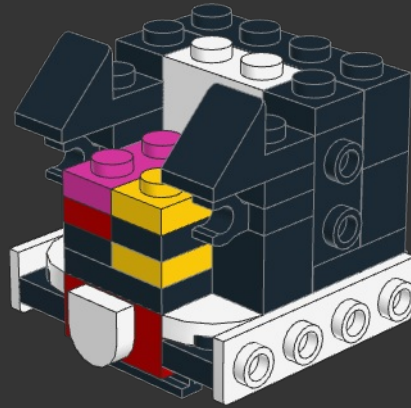
24



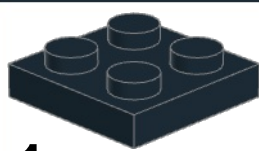
1x



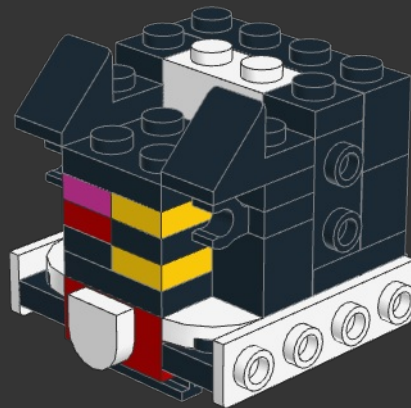
1x



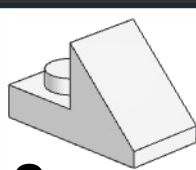
25



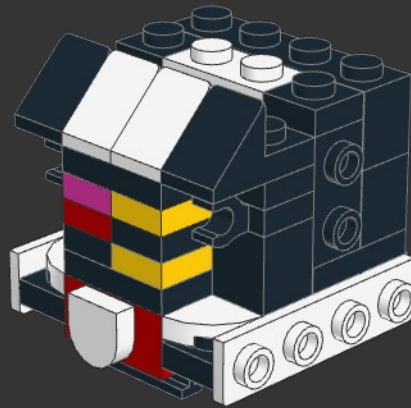
1x



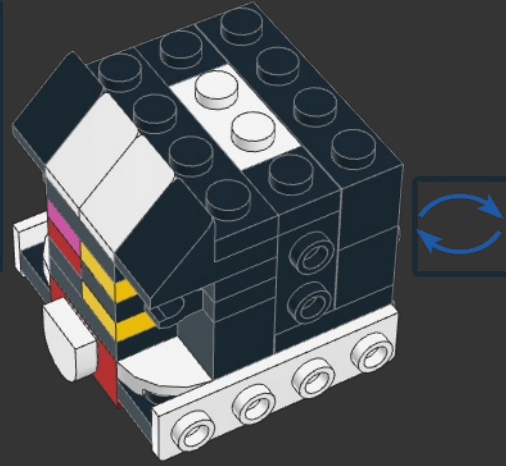
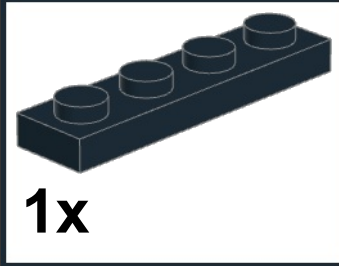
26



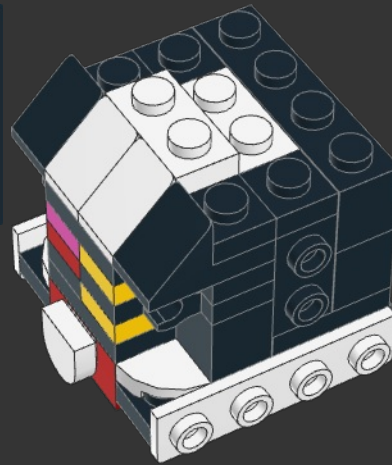
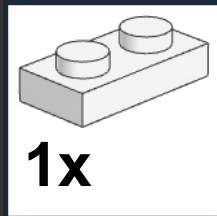
2x



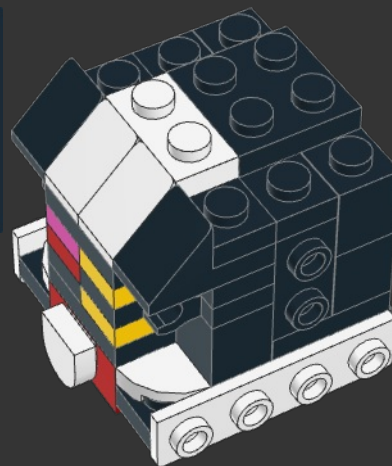
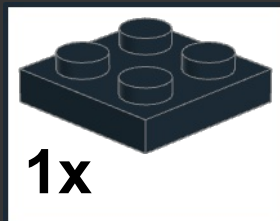
27



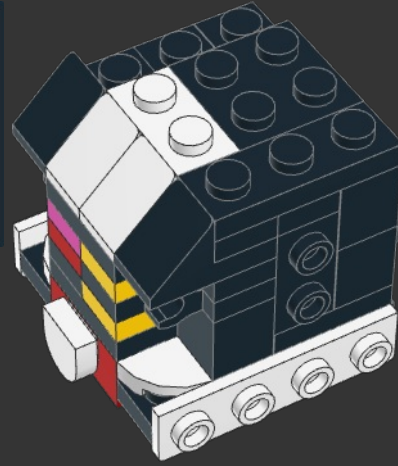
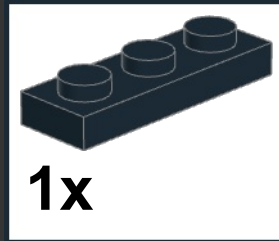
28



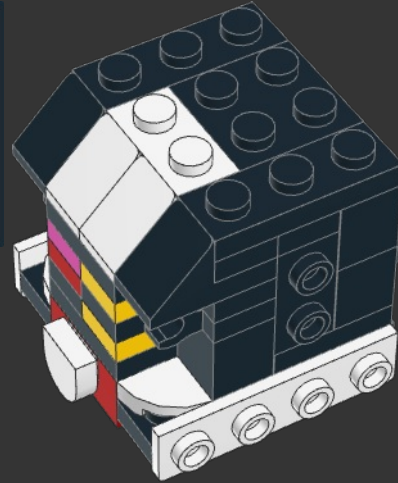
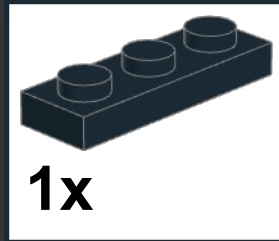
29



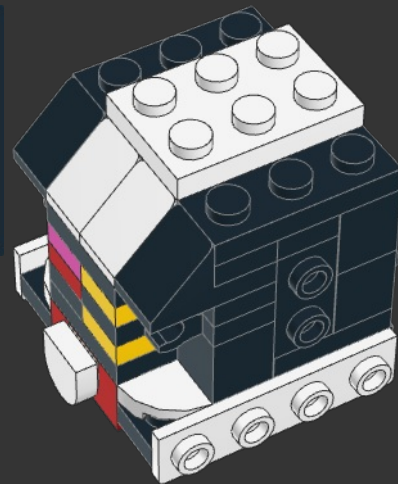
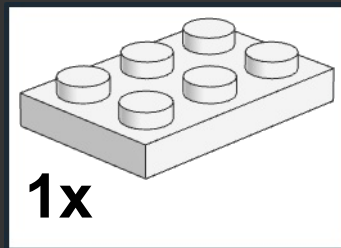
30



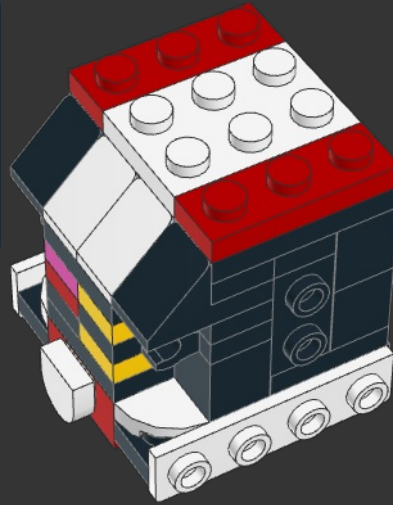
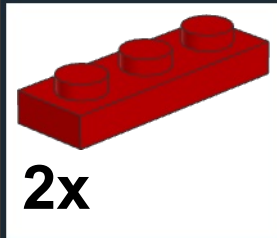
31



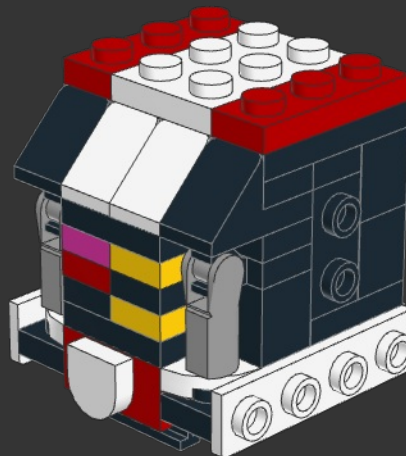
32



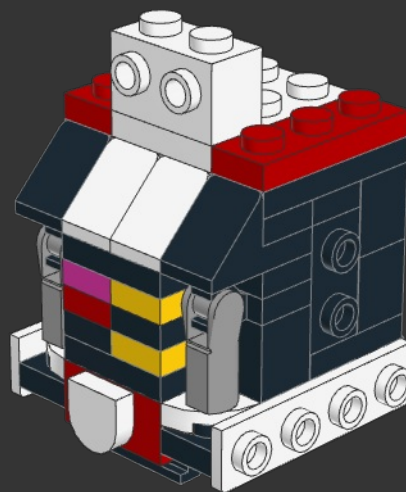
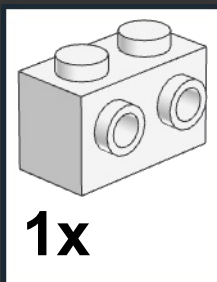
33



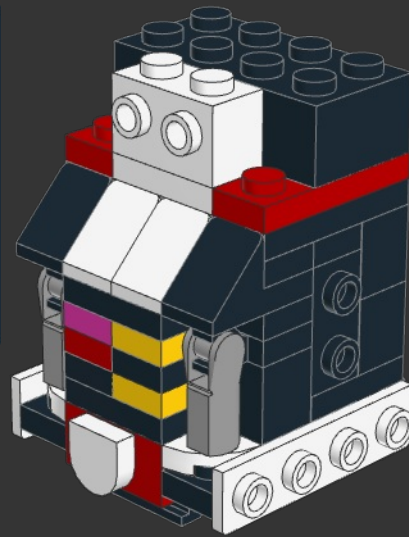
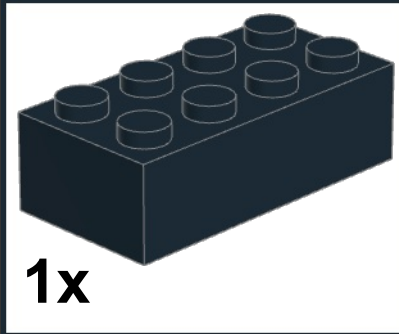
34



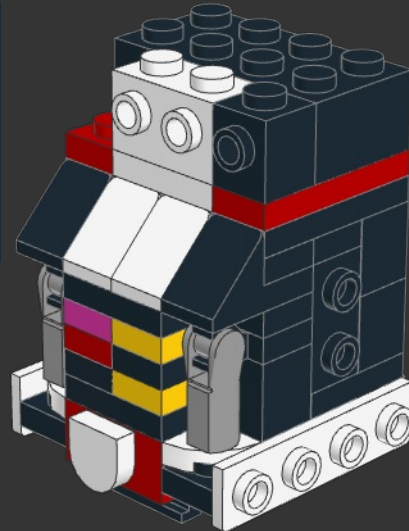
35



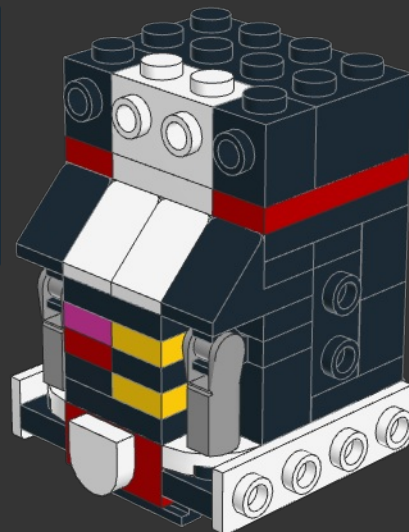
36



37

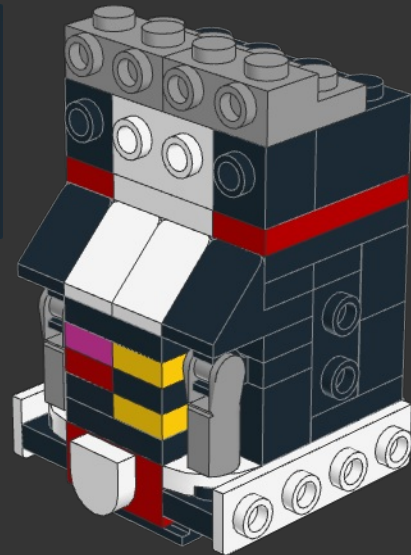
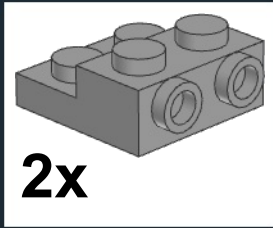


38

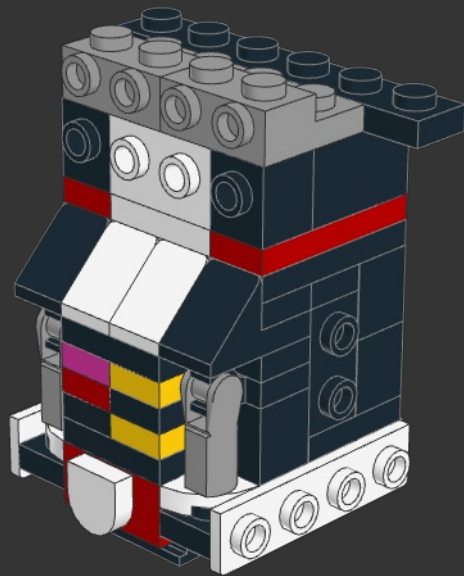
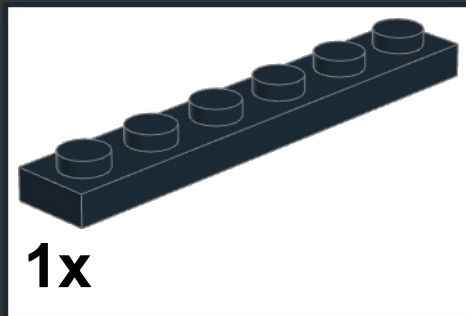




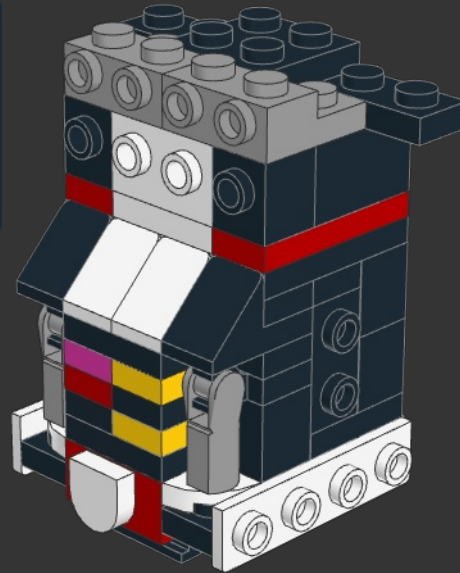
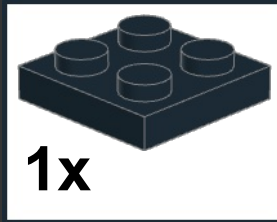
39



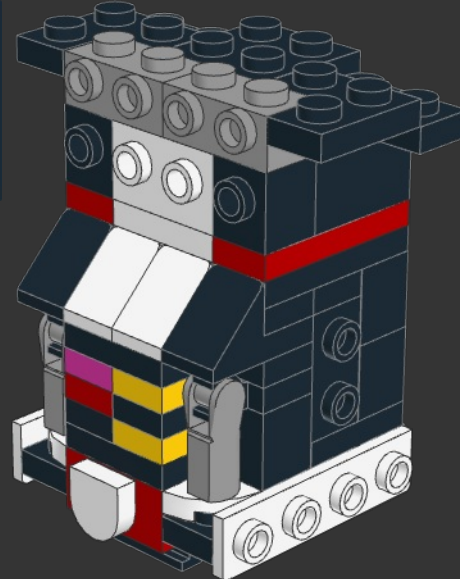
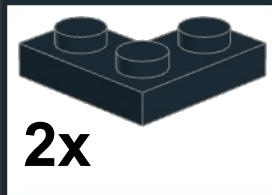
40



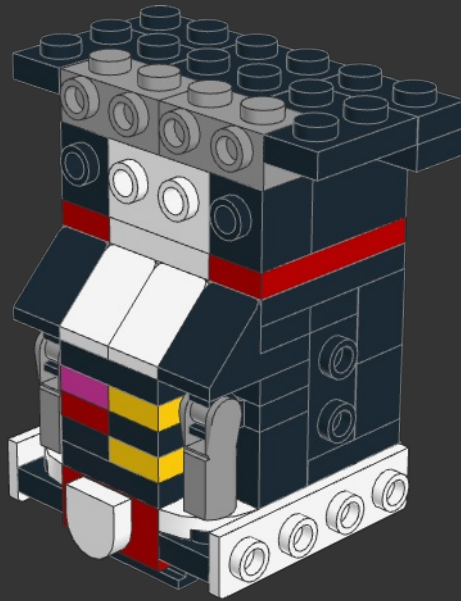
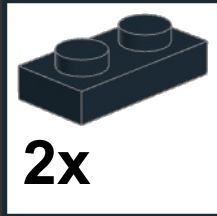
41



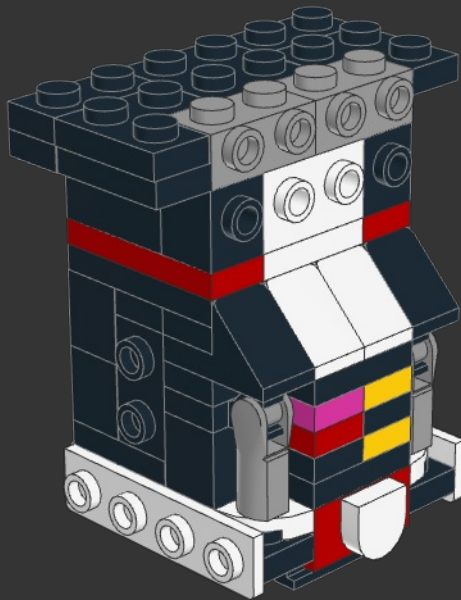
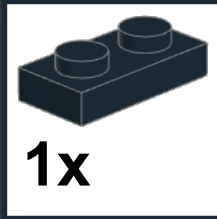
42



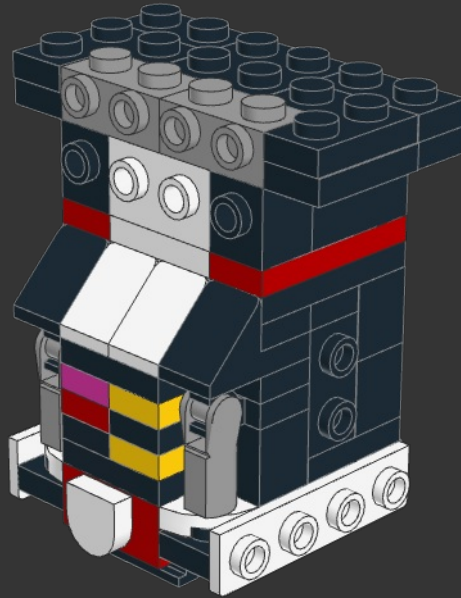
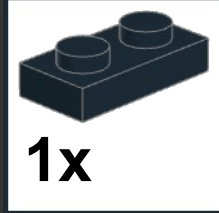
43



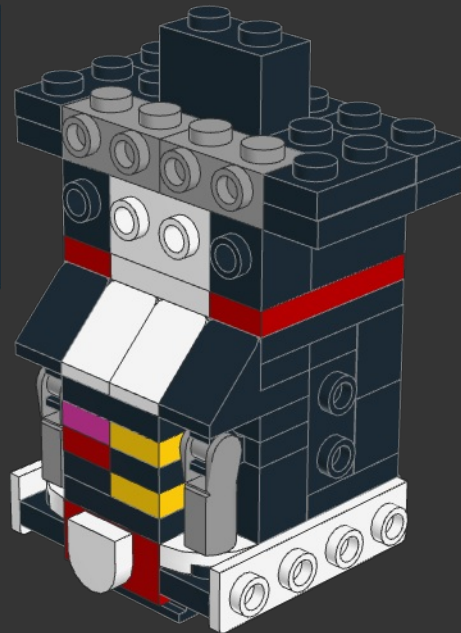
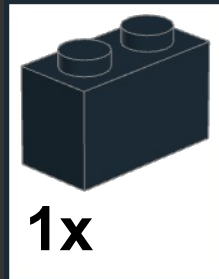
44



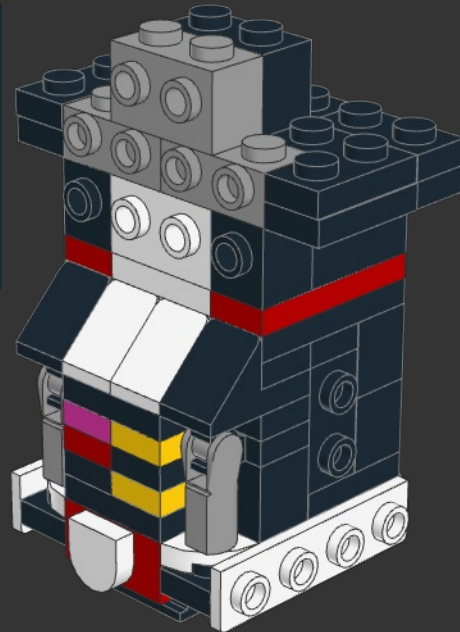
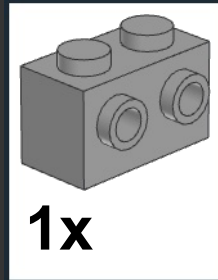
45



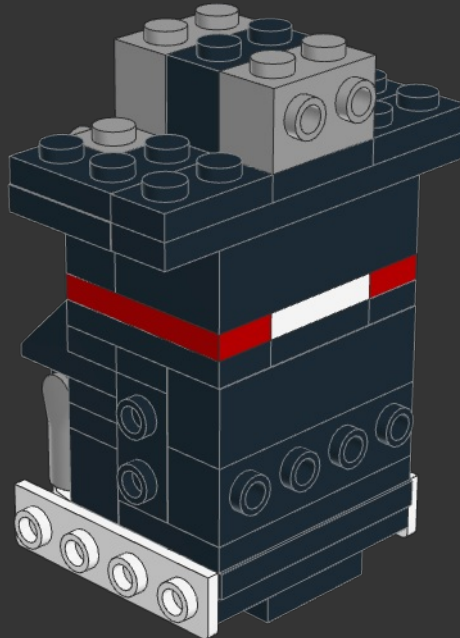
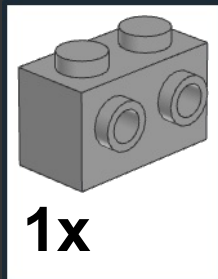
46



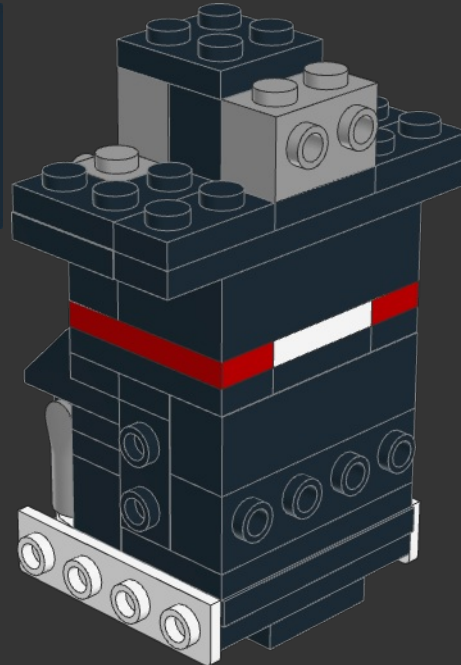
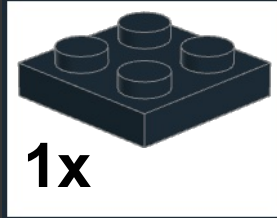
47



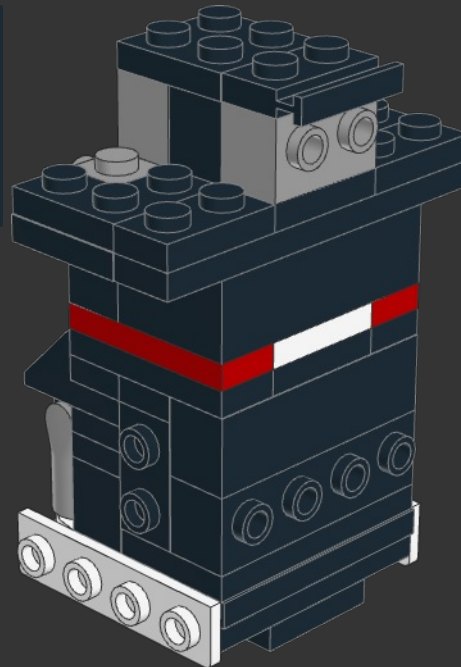
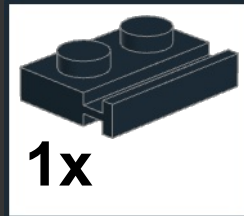
48



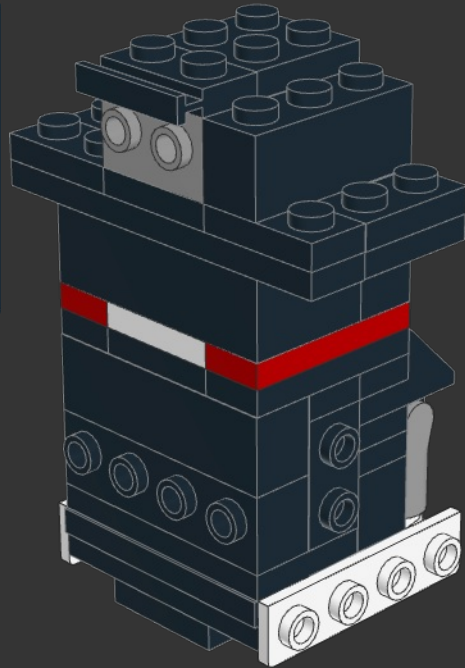
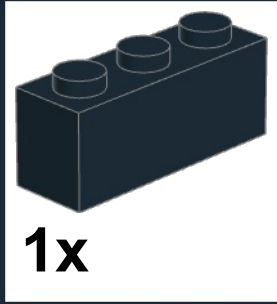
49



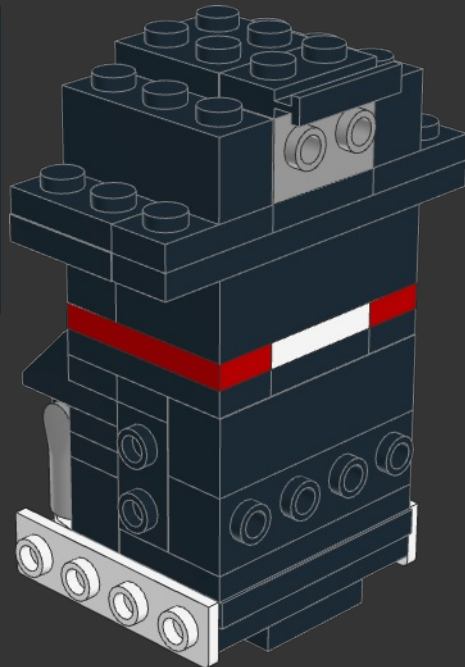
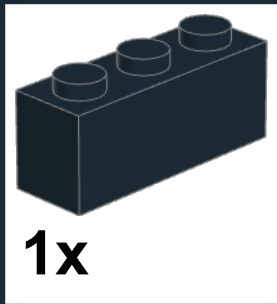
50



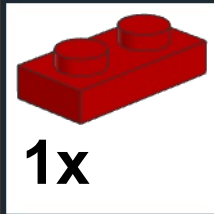
51



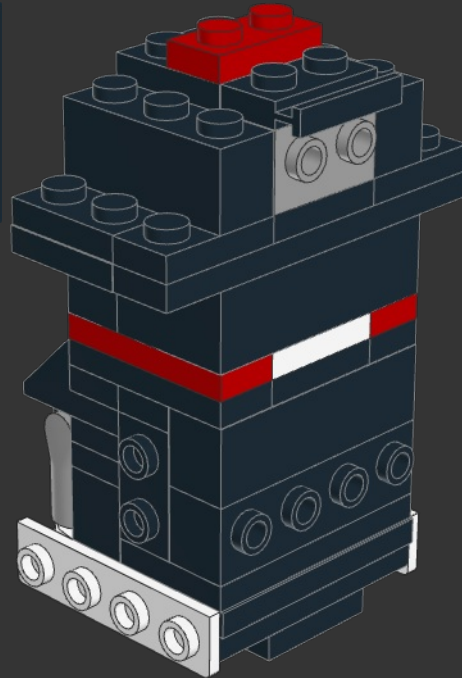
52



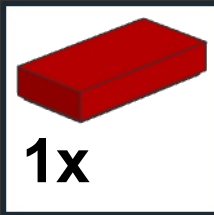
53



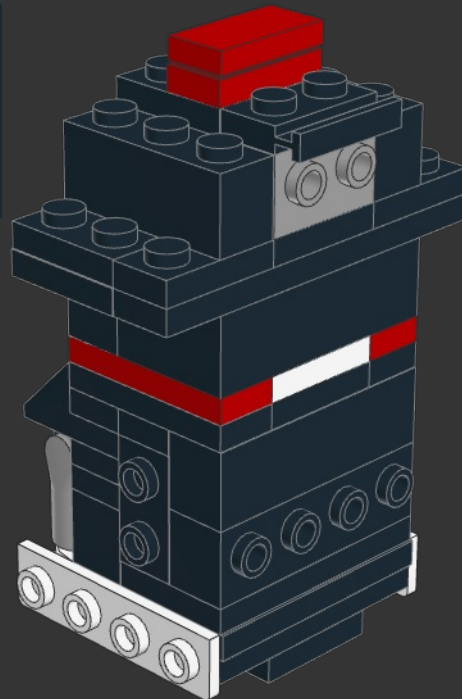
1x



54

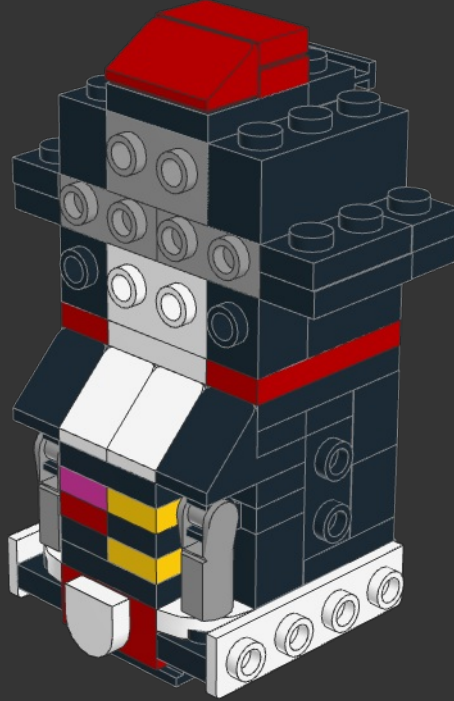
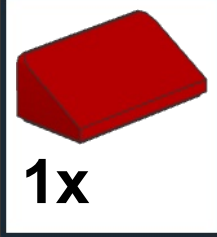


1x

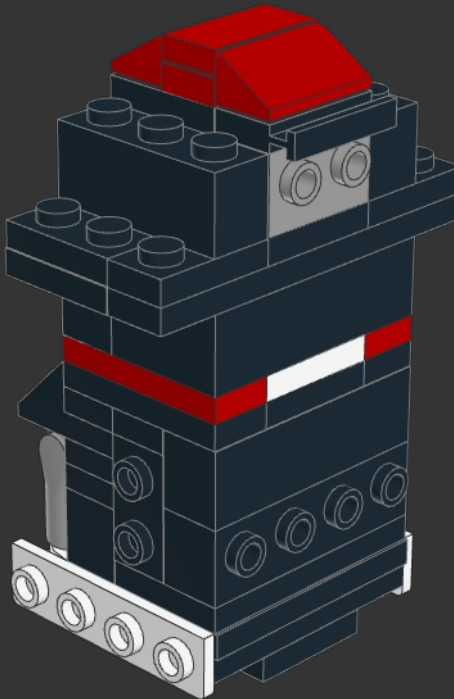
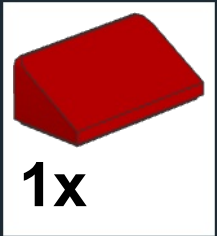




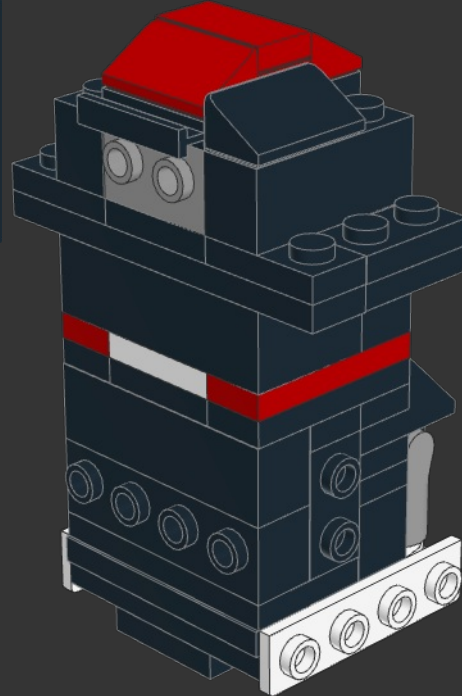
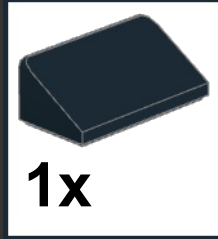
55



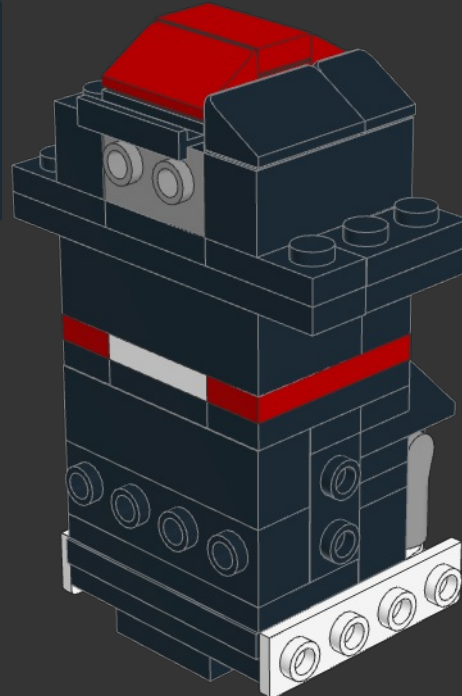
56



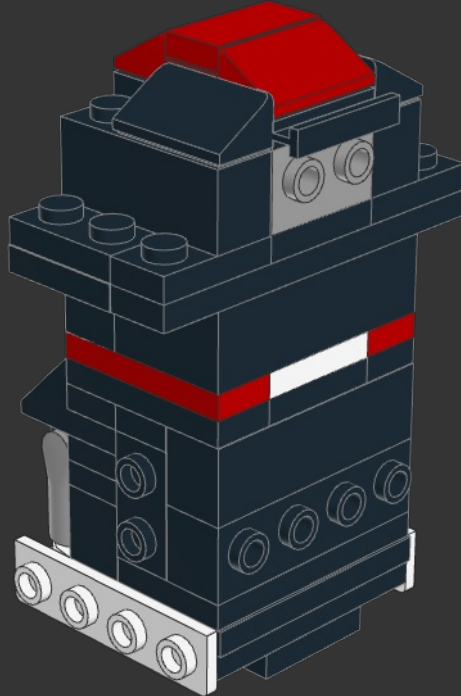
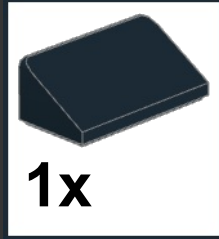
57



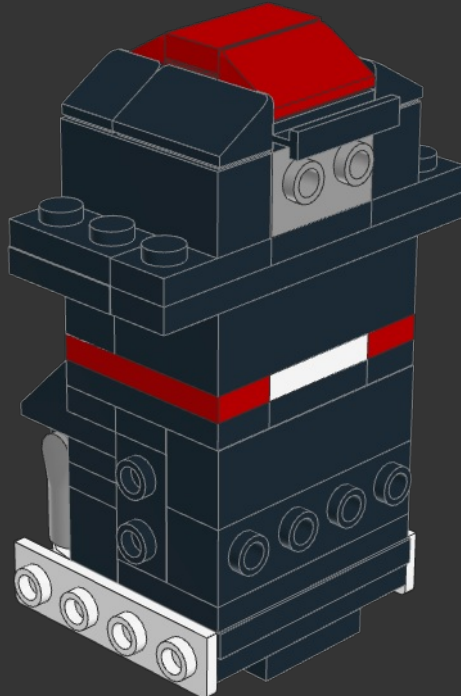
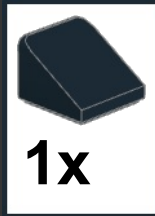
58



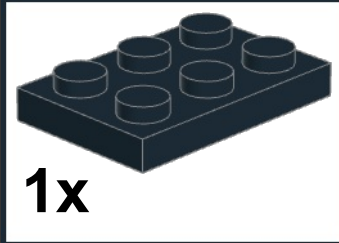
59



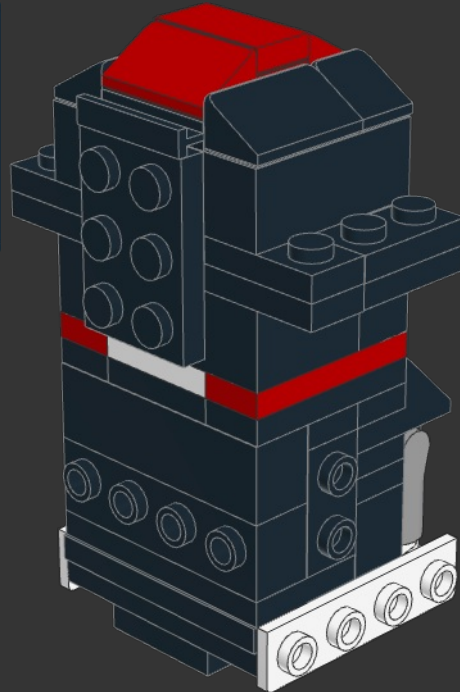
60



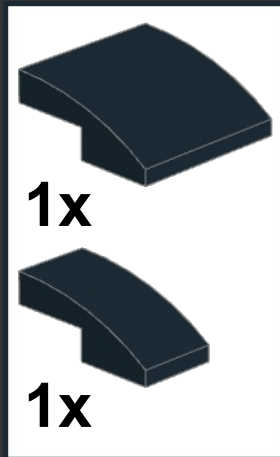
61



1x

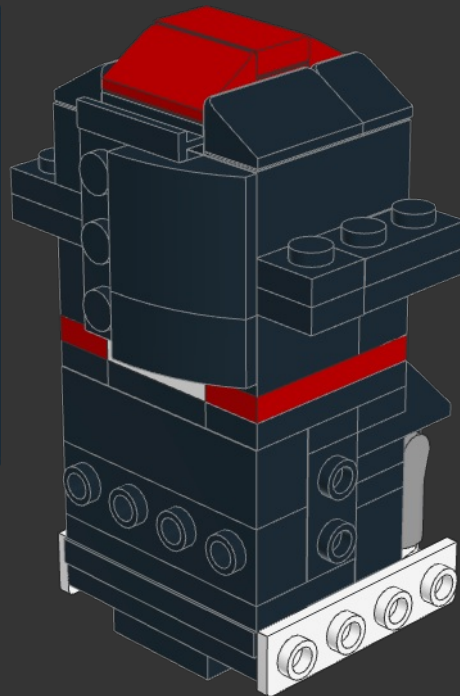


62

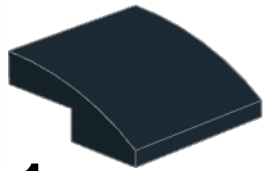


1x

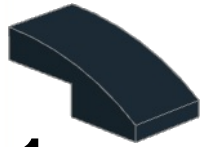
1x



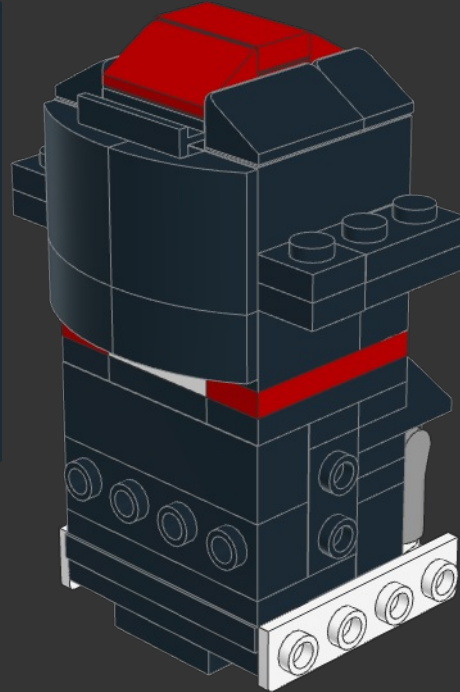
63



1x



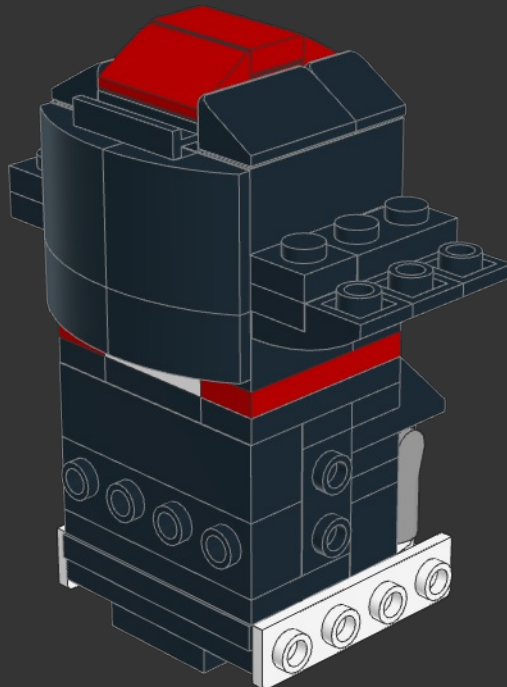
1x



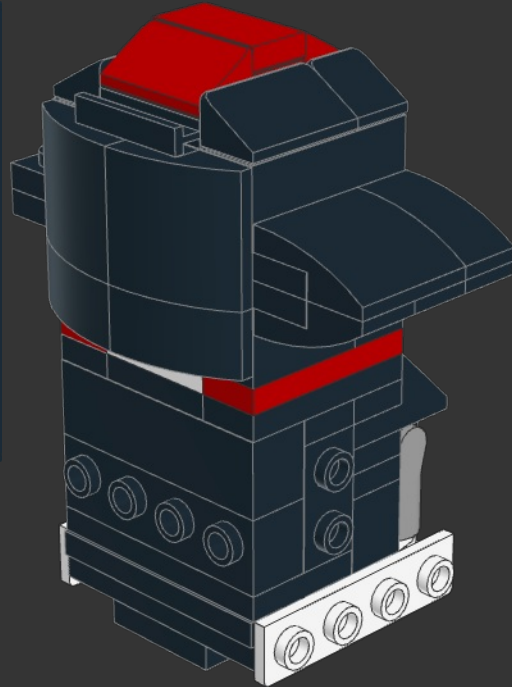
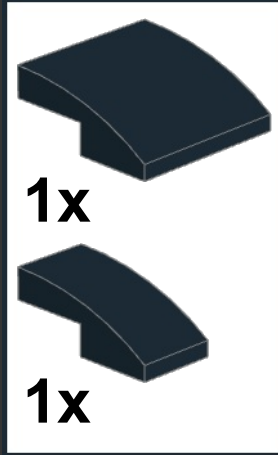
64



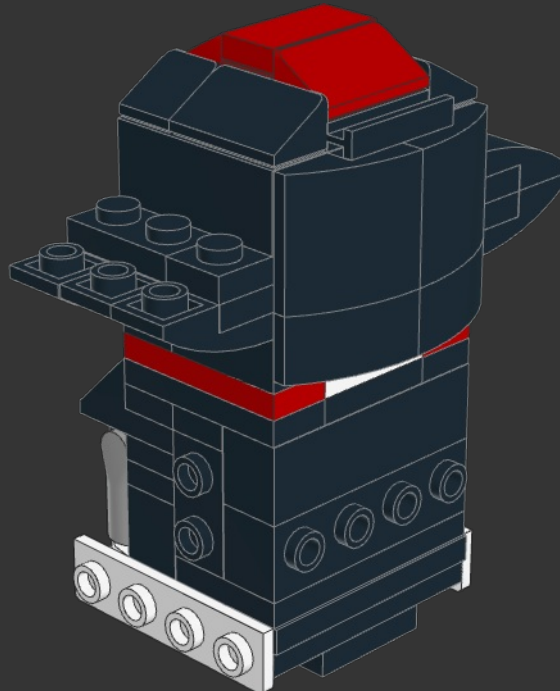
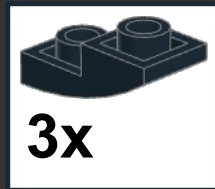
3x



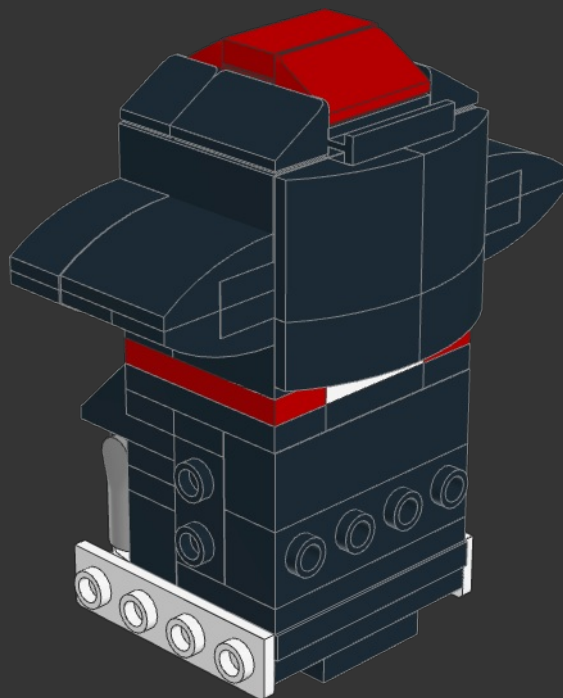
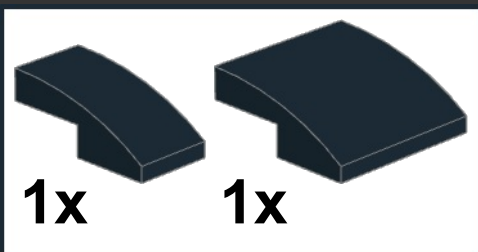
65

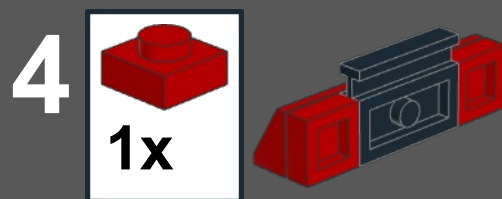
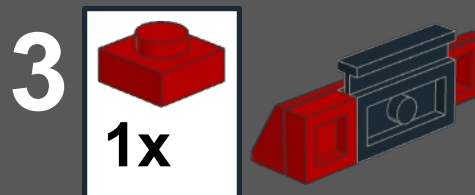
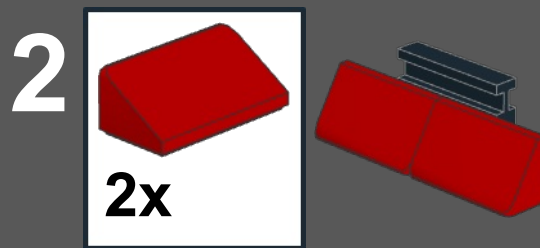
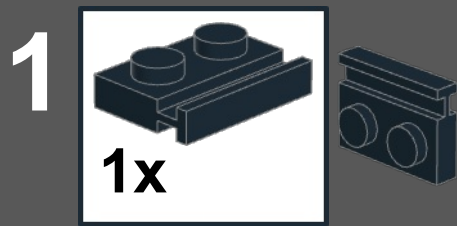


66



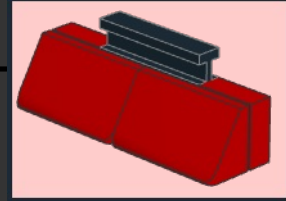
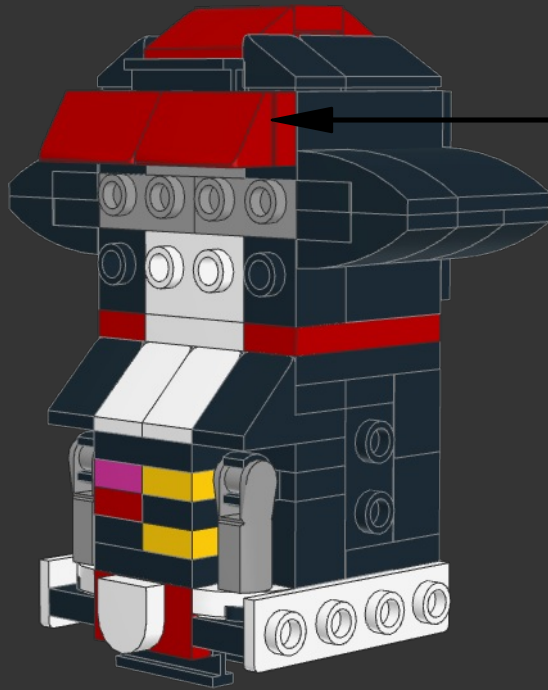
67



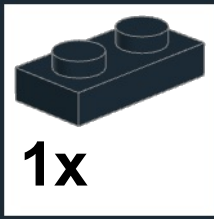




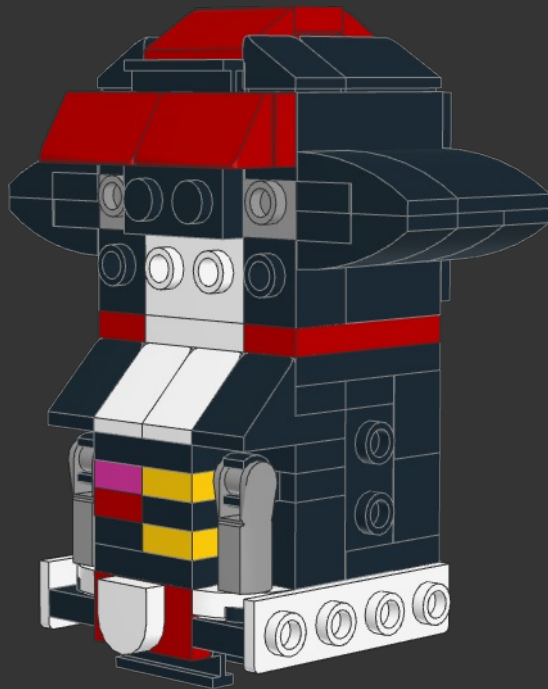
68

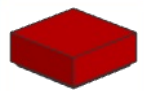


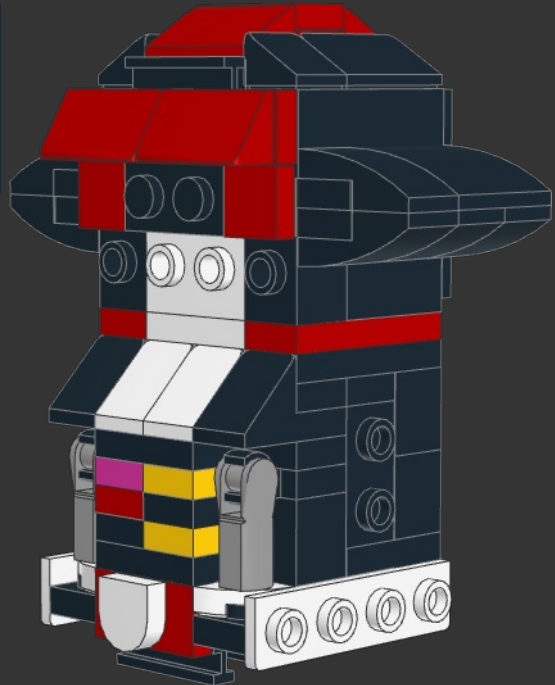
69

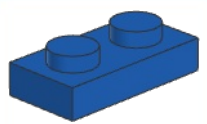


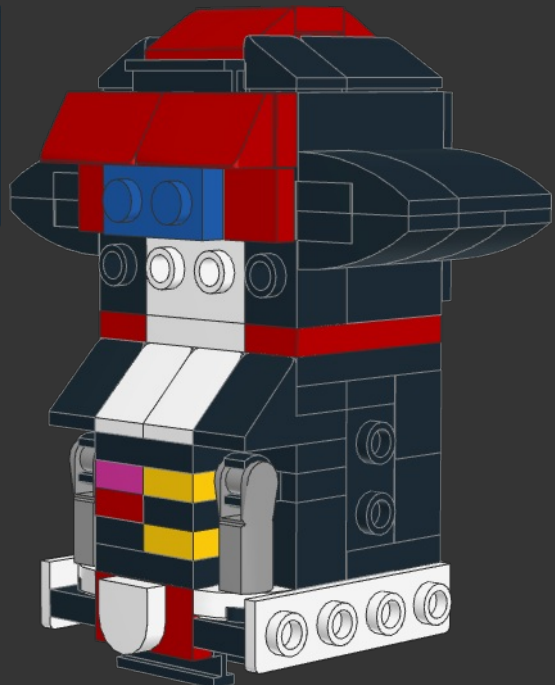
1x



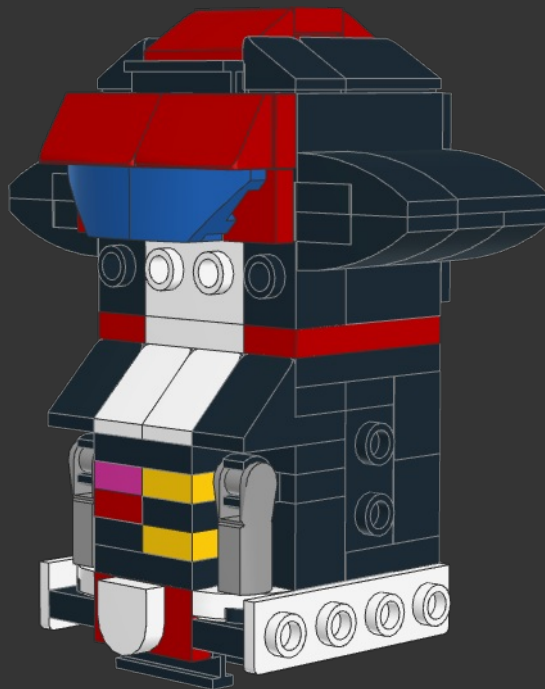
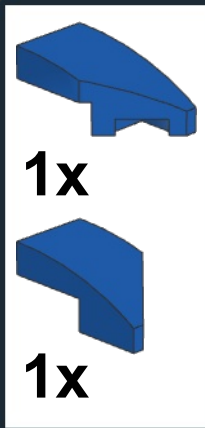
70   
2x



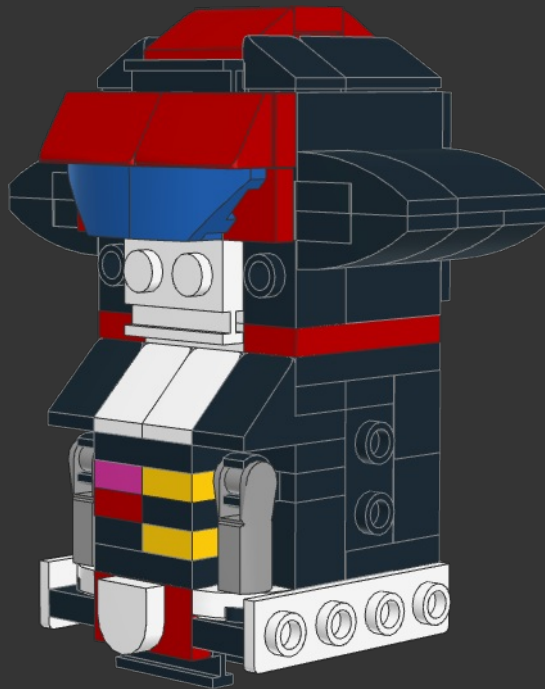
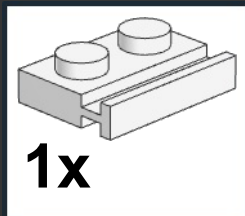
71   
1x



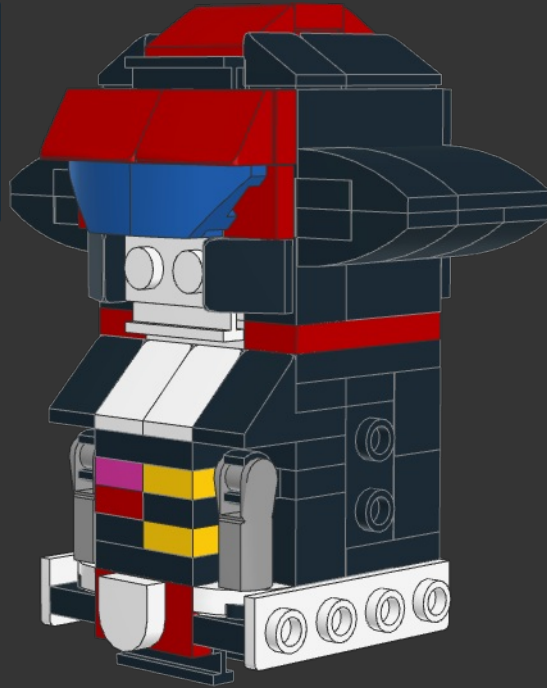
72



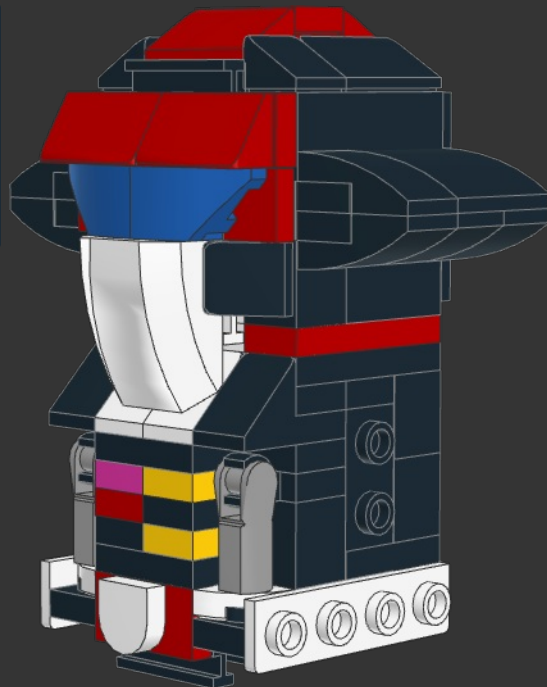
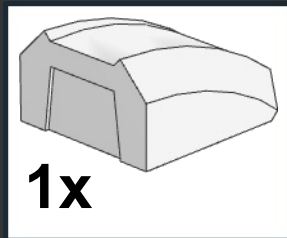
73



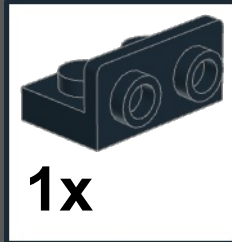
74



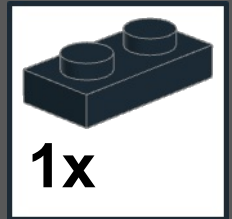
75



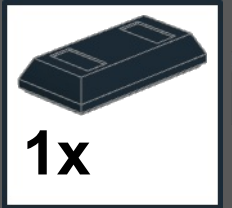
1



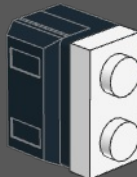
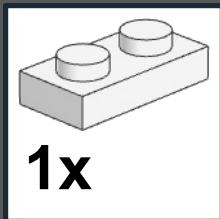
2



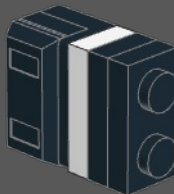
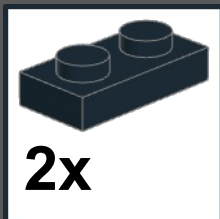
3

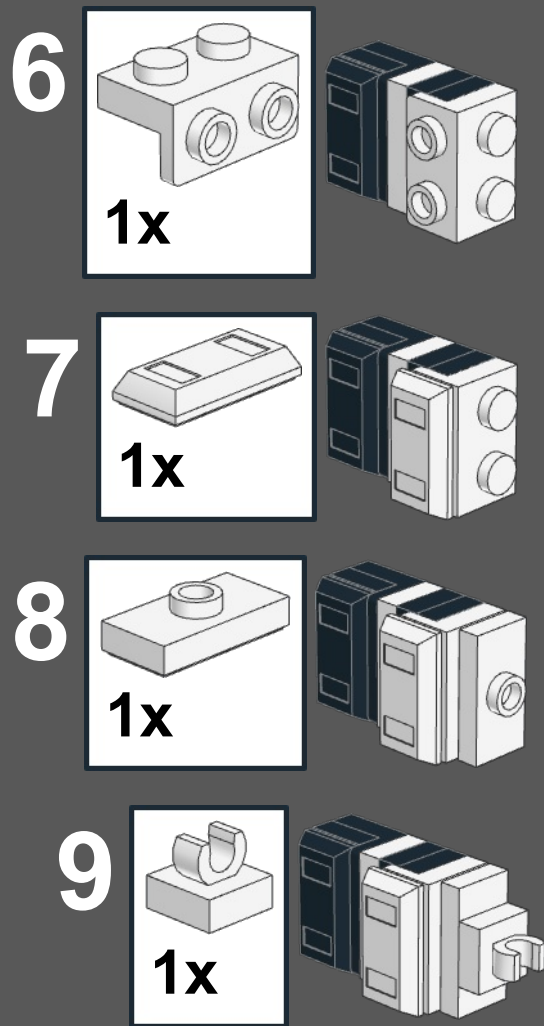


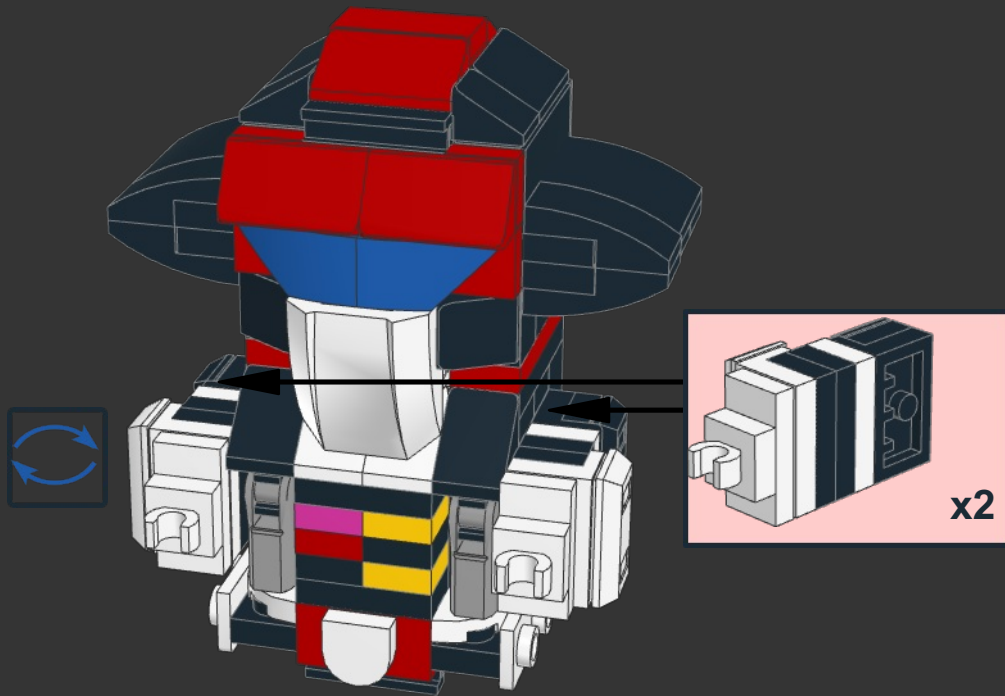
4

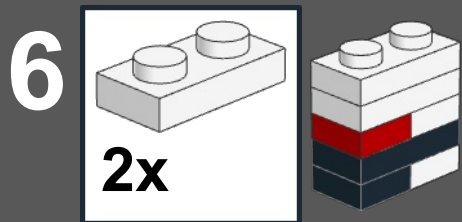
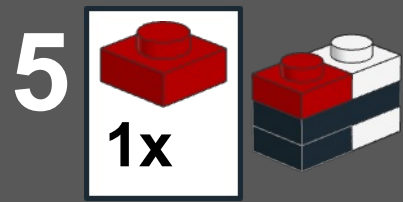
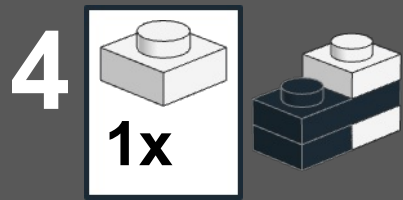
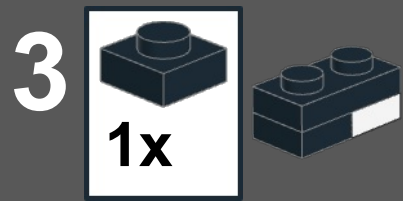
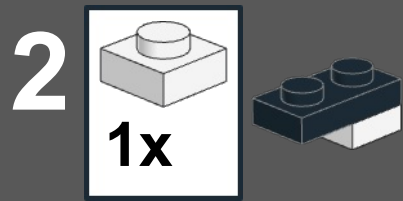
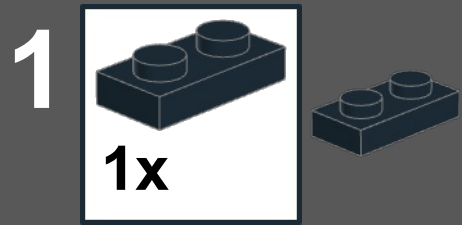


5



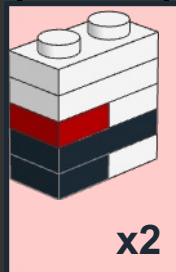
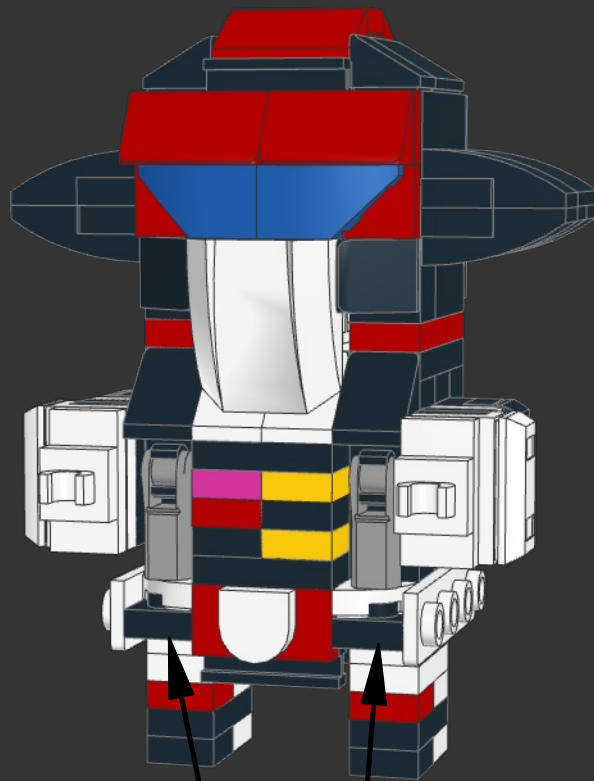




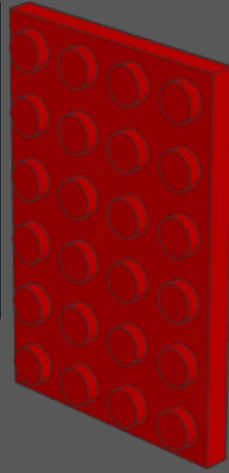
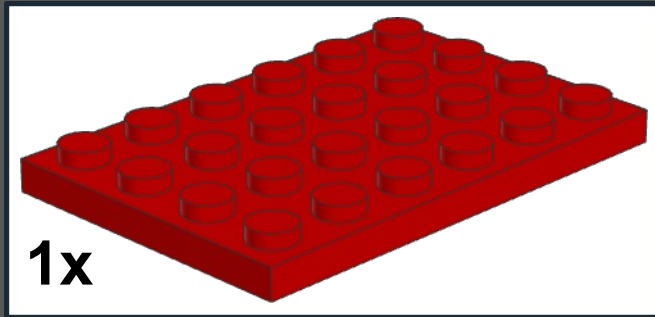


x2

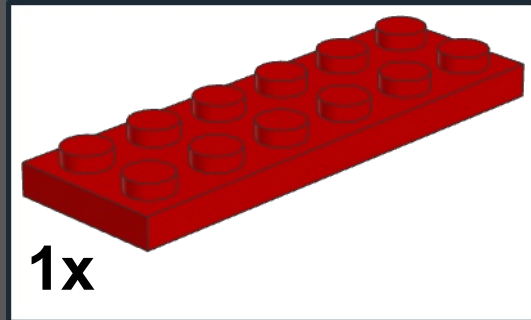




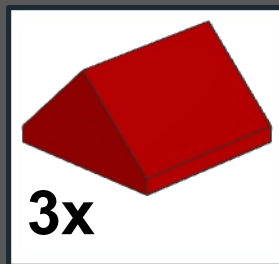
1

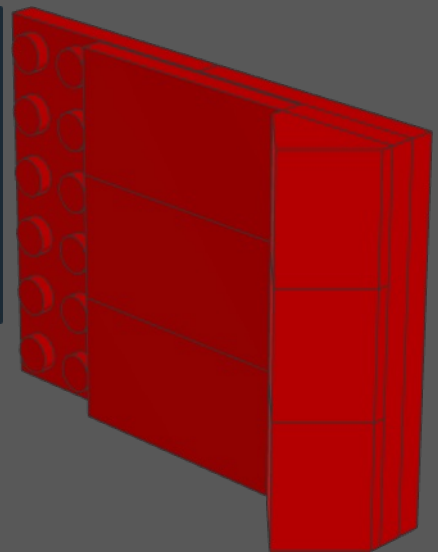
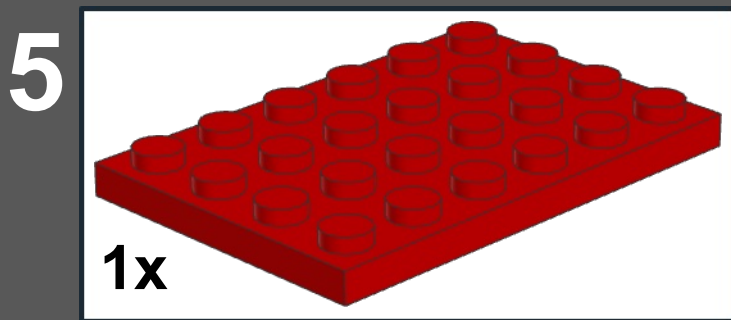
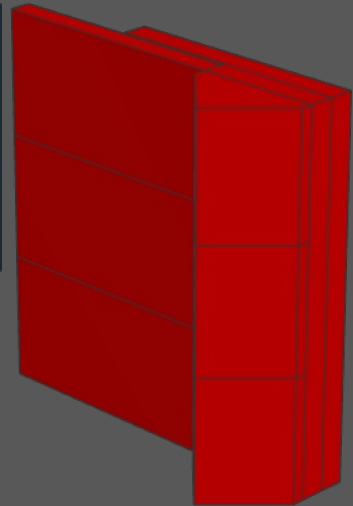
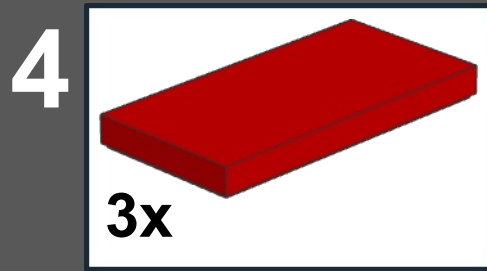


2

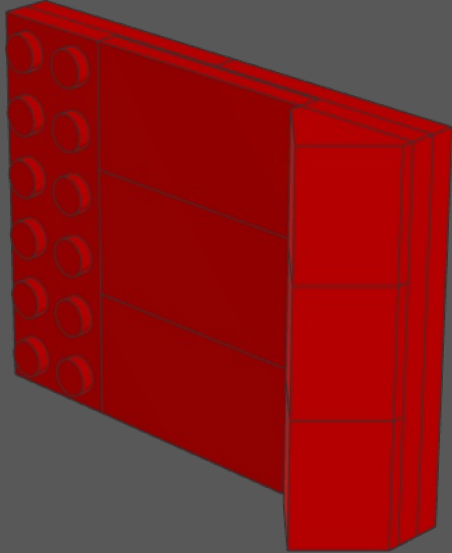
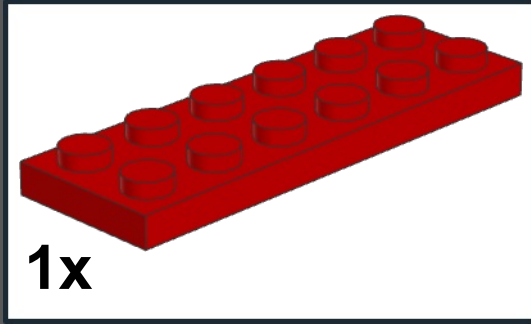


3

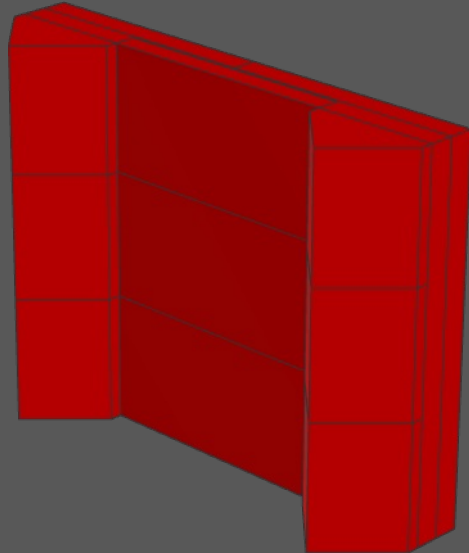
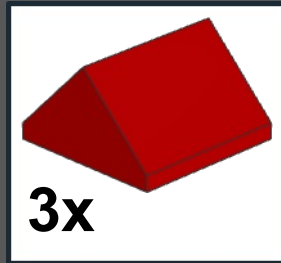


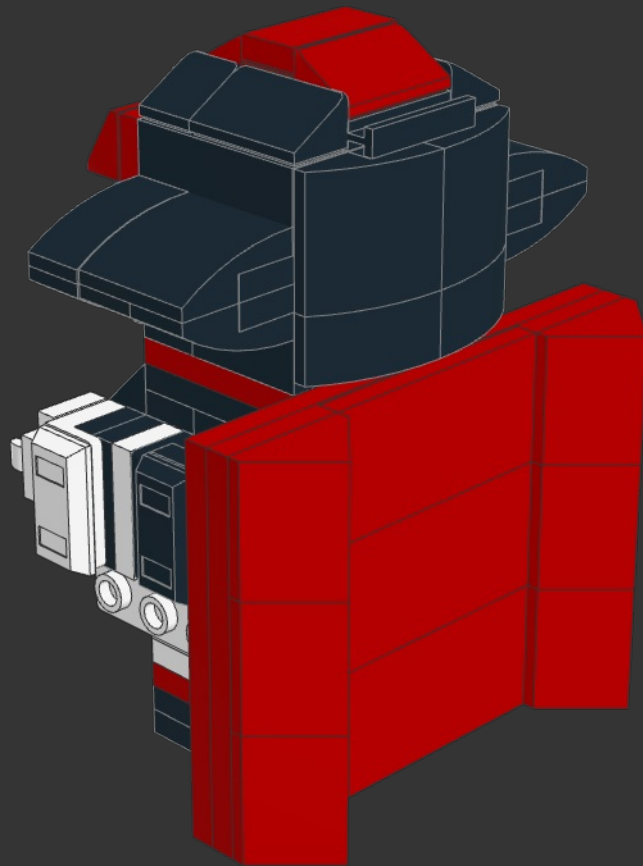


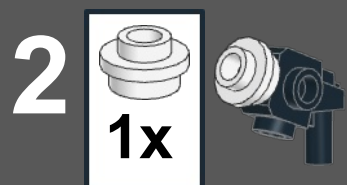
6



7

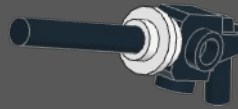


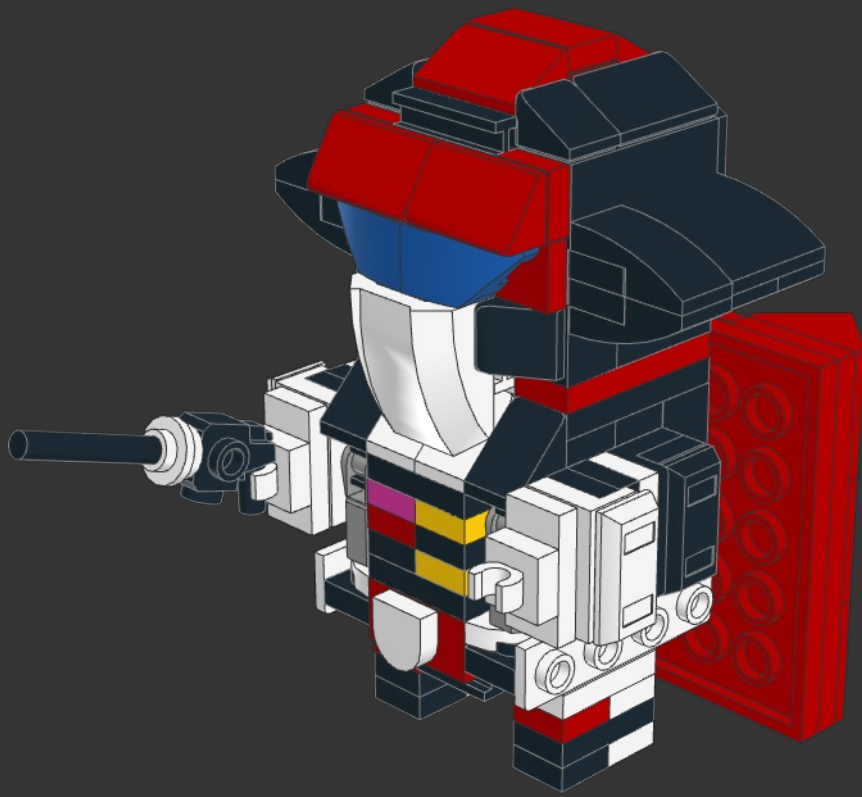




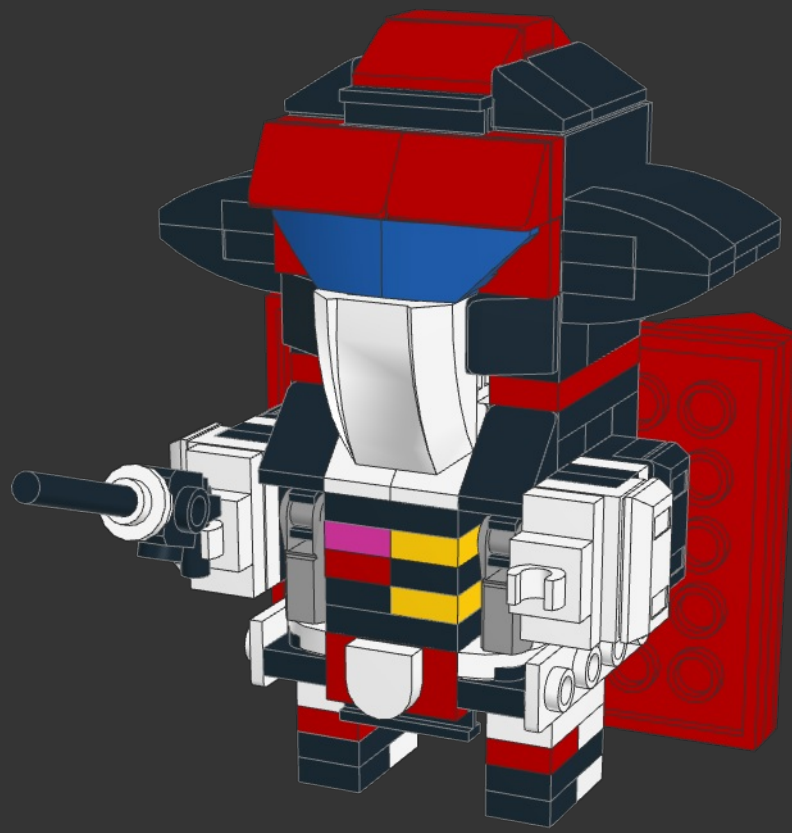
3

3

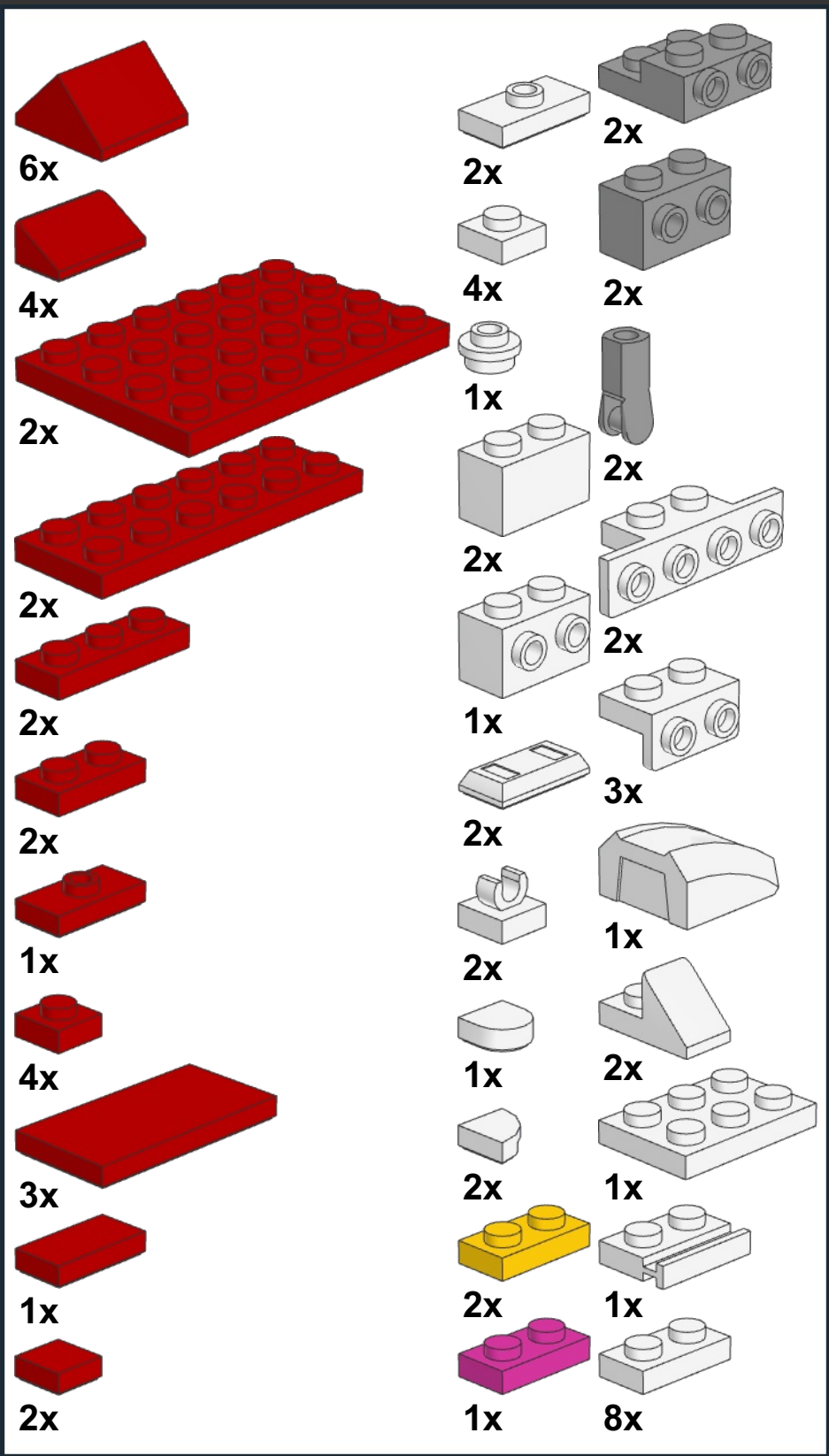












# *Honorable mentions of supporters:*

Teg12345

dalesr

csscg

Bwtpelego

inkachi



Hope you had fun with this model and instructions.

As always you can reach out to me via email:

[birdbrickbuilds@gmail.com](mailto:birdbrickbuilds@gmail.com)

You can also check my work on rebrickable and instagram:

<https://rebrickable.com/users/birdbrickbuilds/>

<https://www.instagram.com/birdbrickbuilds/>

If you wish to help me continue to make this models and instructions you can buy me a coffee to help me stay up late:

<https://www.buymeacoffee.com/birdbrickbl>

Or you can buy my Coffee Espresso MOC:

<https://reb.li/m/118798>

Or even you can buy my Beer Mug MOC:

<https://reb.li/m/137364>



This work is licensed under a [Creative Commons Attribution-NonCommercial-ShareAlike 4.0 International License](https://creativecommons.org/licenses/by-nc-sa/4.0/).