



Fireball

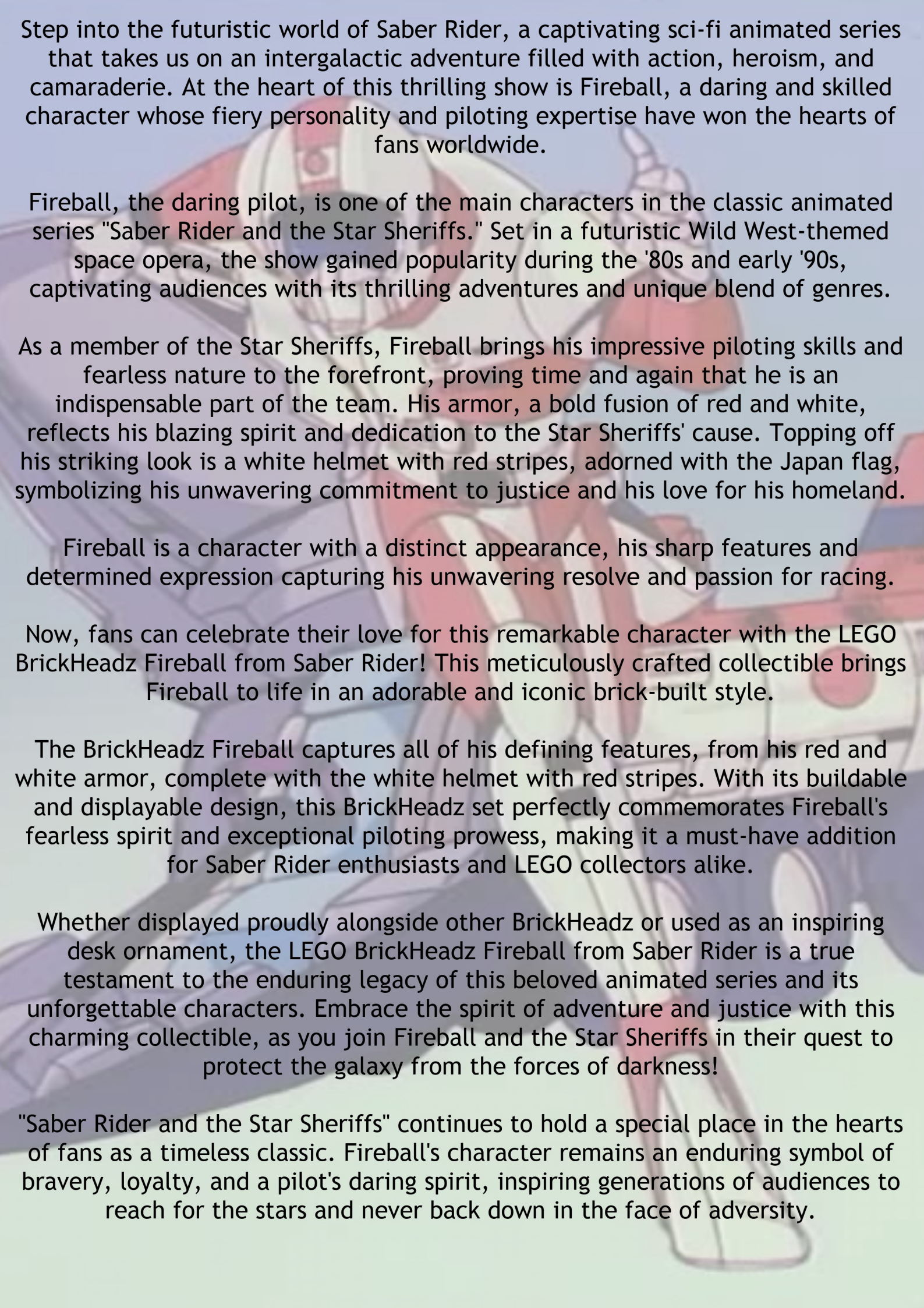
from Saber rider

Model instructions by Bird Brick Builds



138 Parts



A faded background image of the character Fireball from the animated series "Saber Rider and the Star Sheriffs". He is shown from the chest up, wearing his signature red and white armor and a white helmet with red stripes. He has a determined expression and is looking slightly to the right.

Step into the futuristic world of Saber Rider, a captivating sci-fi animated series that takes us on an intergalactic adventure filled with action, heroism, and camaraderie. At the heart of this thrilling show is Fireball, a daring and skilled character whose fiery personality and piloting expertise have won the hearts of fans worldwide.

Fireball, the daring pilot, is one of the main characters in the classic animated series "Saber Rider and the Star Sheriffs." Set in a futuristic Wild West-themed space opera, the show gained popularity during the '80s and early '90s, captivating audiences with its thrilling adventures and unique blend of genres.

As a member of the Star Sheriffs, Fireball brings his impressive piloting skills and fearless nature to the forefront, proving time and again that he is an indispensable part of the team. His armor, a bold fusion of red and white, reflects his blazing spirit and dedication to the Star Sheriffs' cause. Topping off his striking look is a white helmet with red stripes, adorned with the Japan flag, symbolizing his unwavering commitment to justice and his love for his homeland.

Fireball is a character with a distinct appearance, his sharp features and determined expression capturing his unwavering resolve and passion for racing.

Now, fans can celebrate their love for this remarkable character with the LEGO BrickHeadz Fireball from Saber Rider! This meticulously crafted collectible brings Fireball to life in an adorable and iconic brick-built style.

The BrickHeadz Fireball captures all of his defining features, from his red and white armor, complete with the white helmet with red stripes. With its buildable and displayable design, this BrickHeadz set perfectly commemorates Fireball's fearless spirit and exceptional piloting prowess, making it a must-have addition for Saber Rider enthusiasts and LEGO collectors alike.

Whether displayed proudly alongside other BrickHeadz or used as an inspiring desk ornament, the LEGO BrickHeadz Fireball from Saber Rider is a true testament to the enduring legacy of this beloved animated series and its unforgettable characters. Embrace the spirit of adventure and justice with this charming collectible, as you join Fireball and the Star Sheriffs in their quest to protect the galaxy from the forces of darkness!

"Saber Rider and the Star Sheriffs" continues to hold a special place in the hearts of fans as a timeless classic. Fireball's character remains an enduring symbol of bravery, loyalty, and a pilot's daring spirit, inspiring generations of audiences to reach for the stars and never back down in the face of adversity.



Attribution-NonCommercial-ShareAlike 4.0 International (CC BY-NC-SA 4.0)

This is a human-readable summary of (and not a substitute for) the [license](#). [Disclaimer](#).

You are free to:

Share — copy and redistribute the material in any medium or format

Adapt — remix, transform, and build upon the material

The licensor cannot revoke these freedoms as long as you follow the [license terms](#).

Under the following terms:



Attribution — You must give [appropriate credit](#), provide a link to the license, and [indicate if changes were made](#). You may do so in any reasonable manner, but not in any way that suggests the licensor endorses you or your use.



NonCommercial — You may not use the material for [commercial purposes](#).



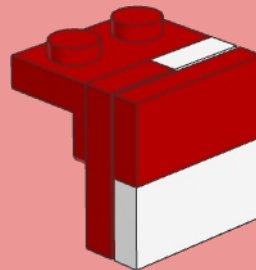
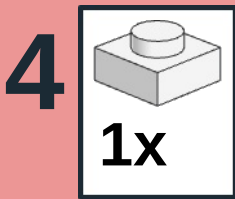
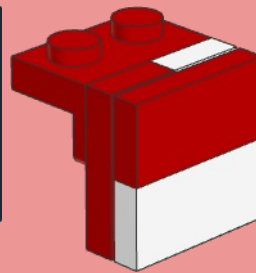
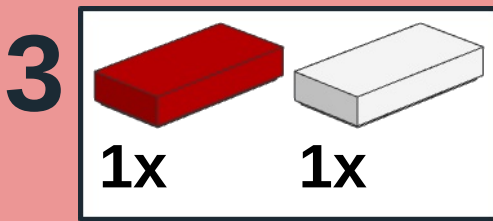
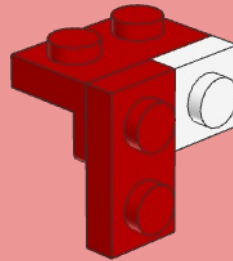
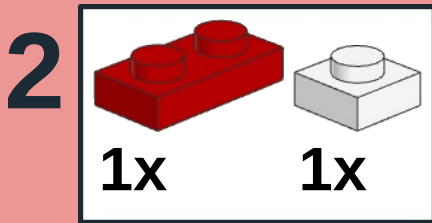
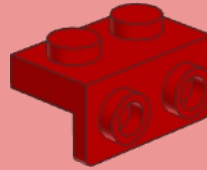
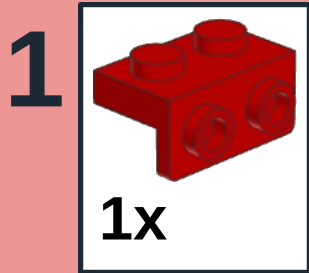
ShareAlike — If you remix, transform, or build upon the material, you must distribute your contributions under the [same license](#) as the original.

No additional restrictions — You may not apply legal terms or [technological measures](#) that legally restrict others from doing anything the license permits.

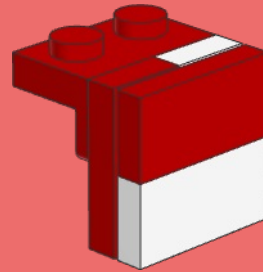
Notices:

You do not have to comply with the license for elements of the material in the public domain or where your use is permitted by an applicable [exception or limitation](#).

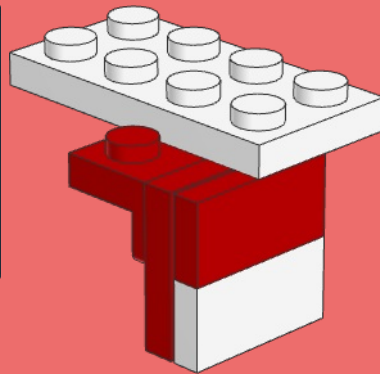
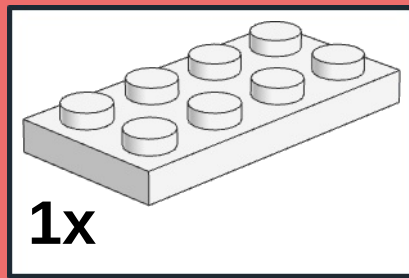
No warranties are given. The license may not give you all of the permissions necessary for your intended use. For example, other rights such as [publicity, privacy, or moral rights](#) may limit how you use the material.

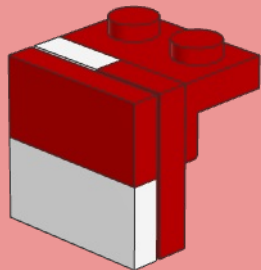
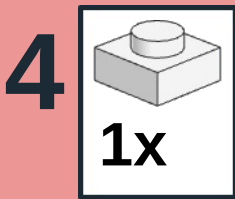
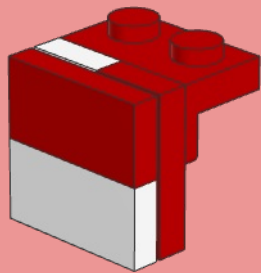
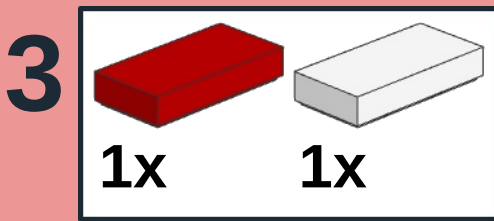
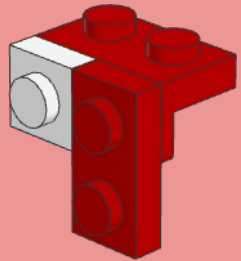
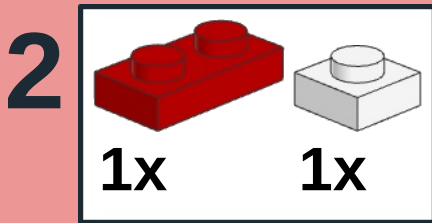
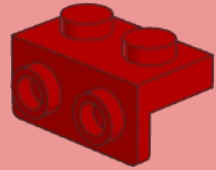
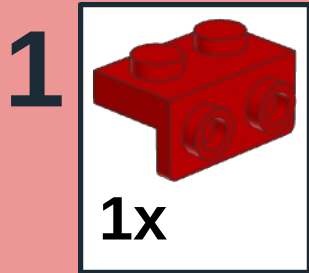


1

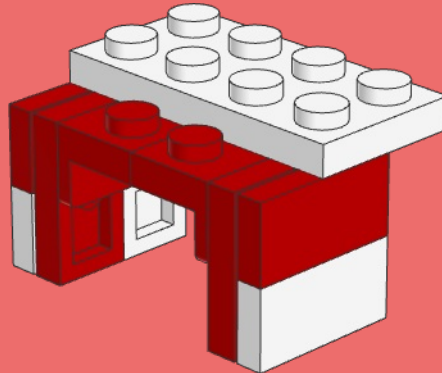


2

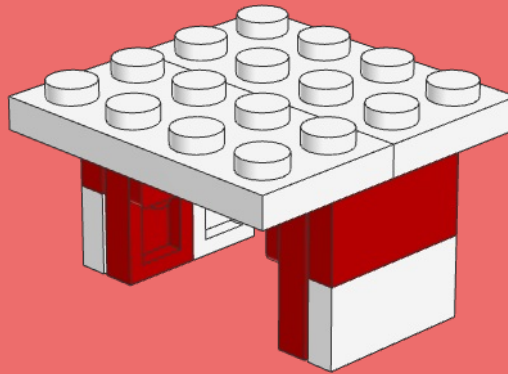
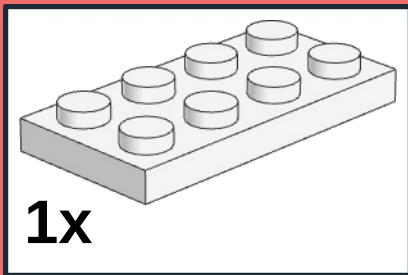




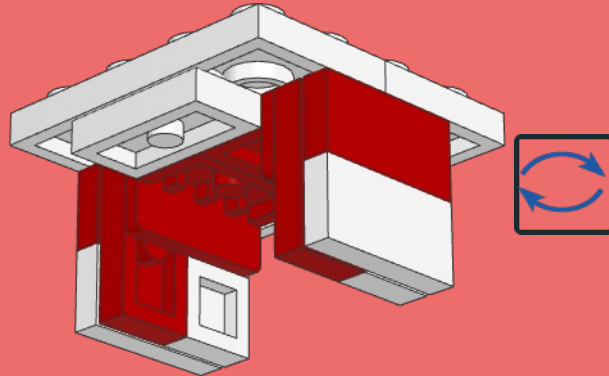
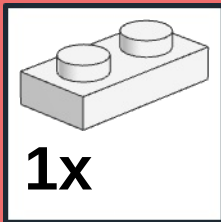
3



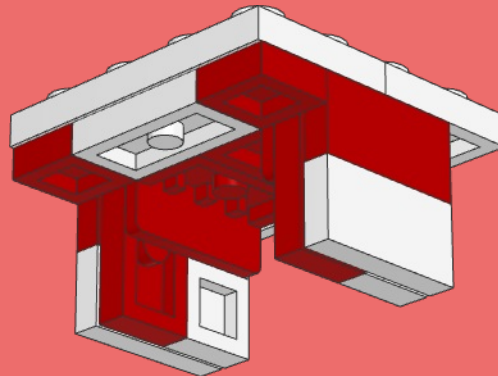
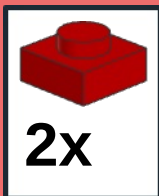
4



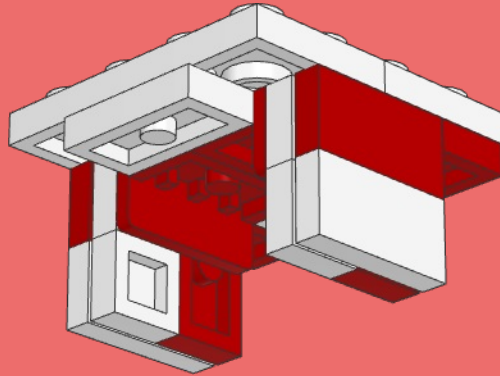
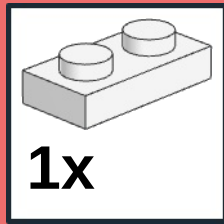
5



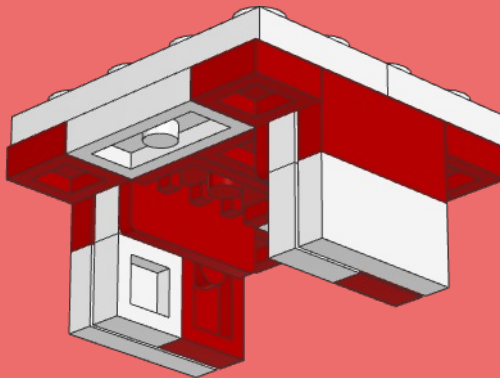
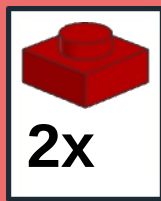
6



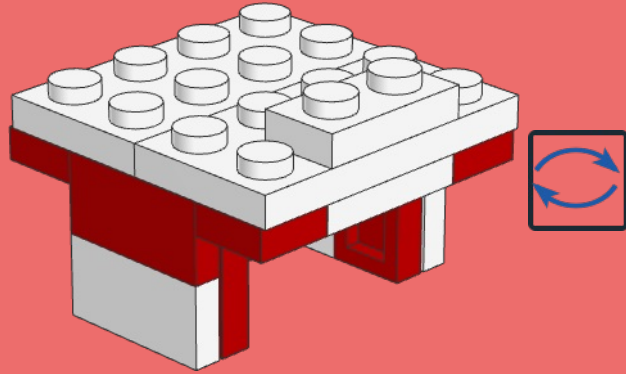
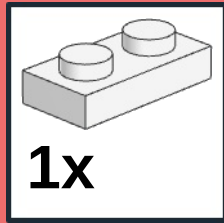
7



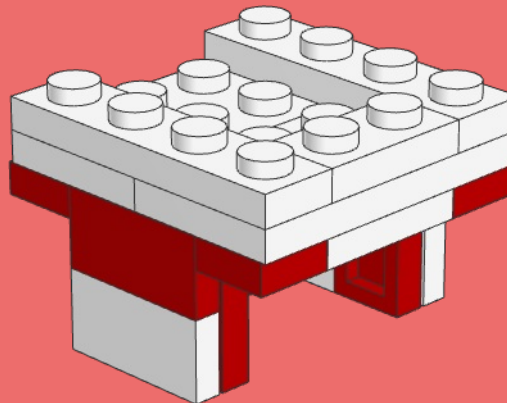
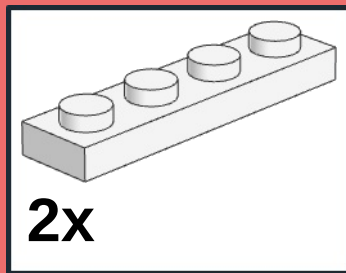
8



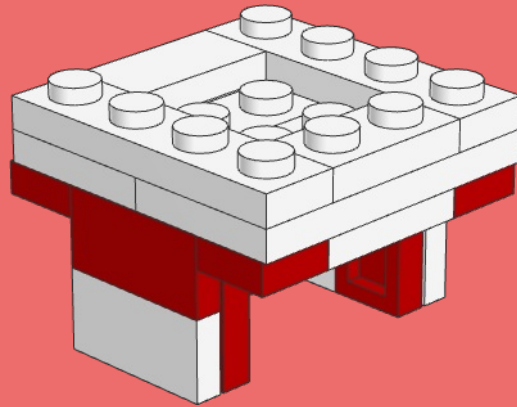
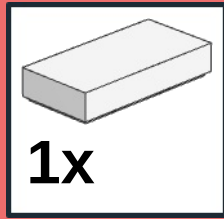
9



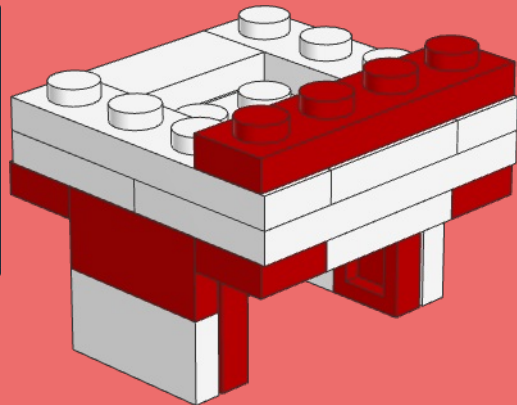
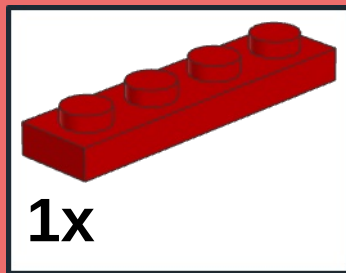
10



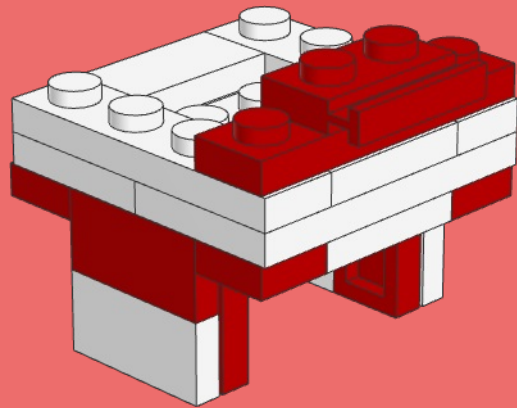
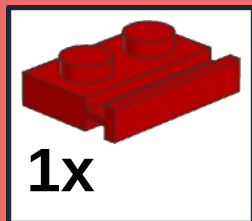
11



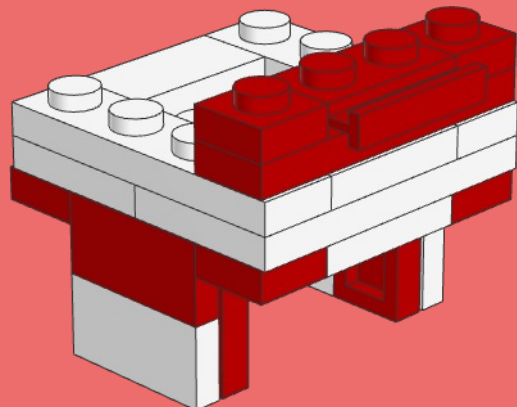
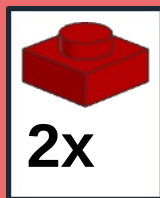
12



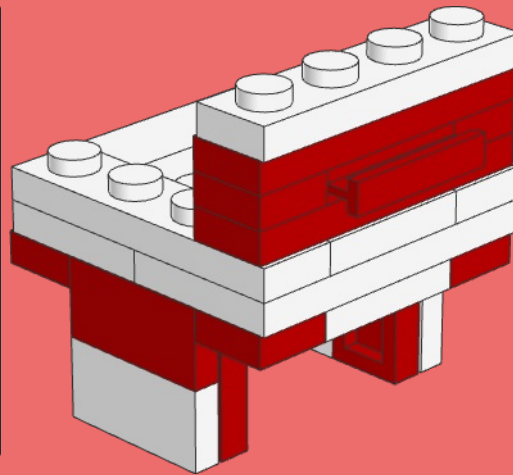
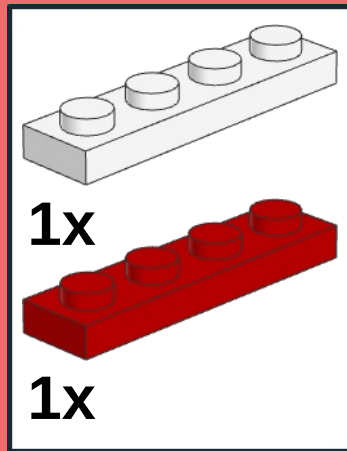
13



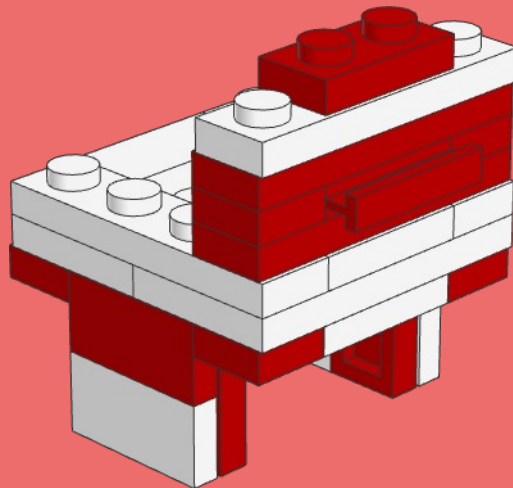
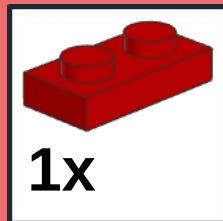
14



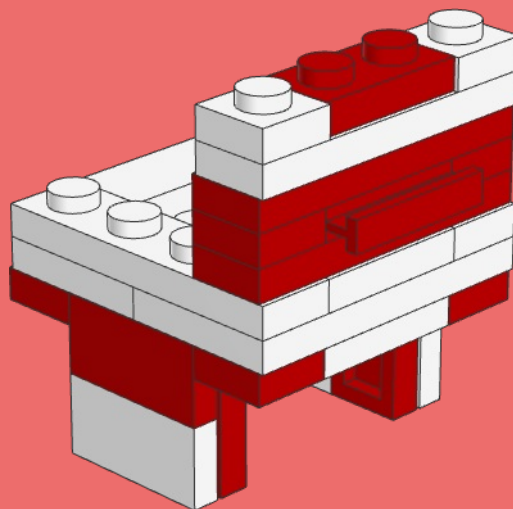
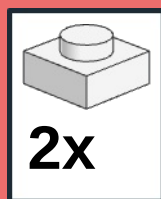
15



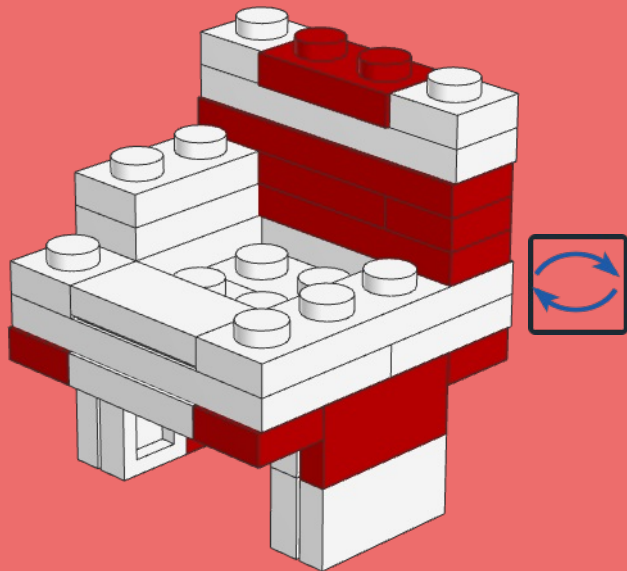
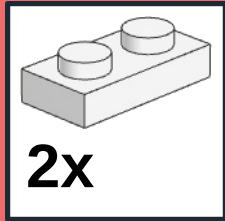
16



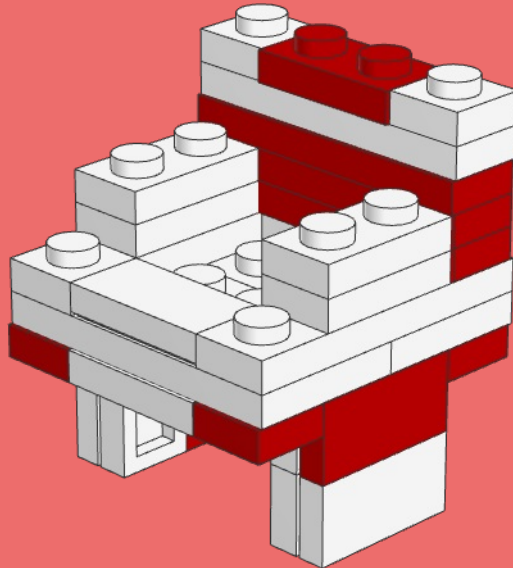
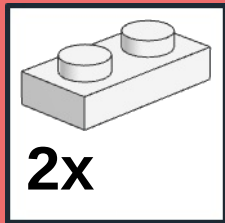
17

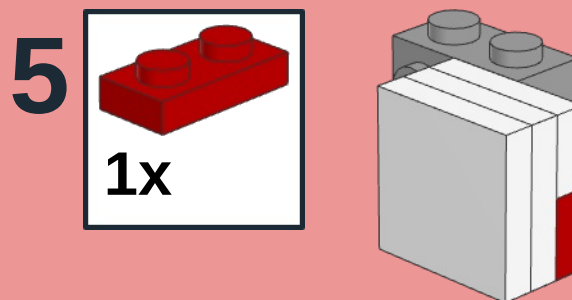
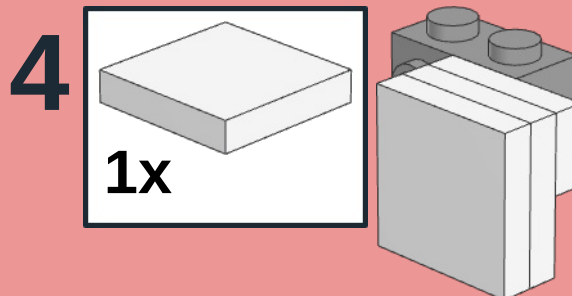
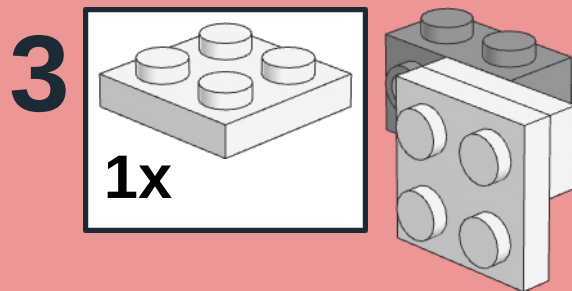
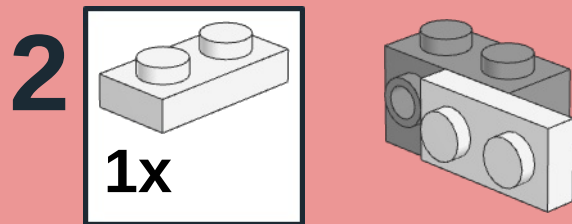
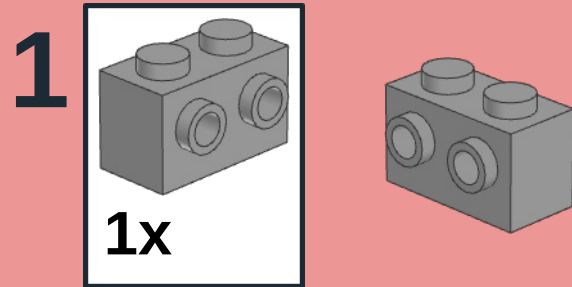


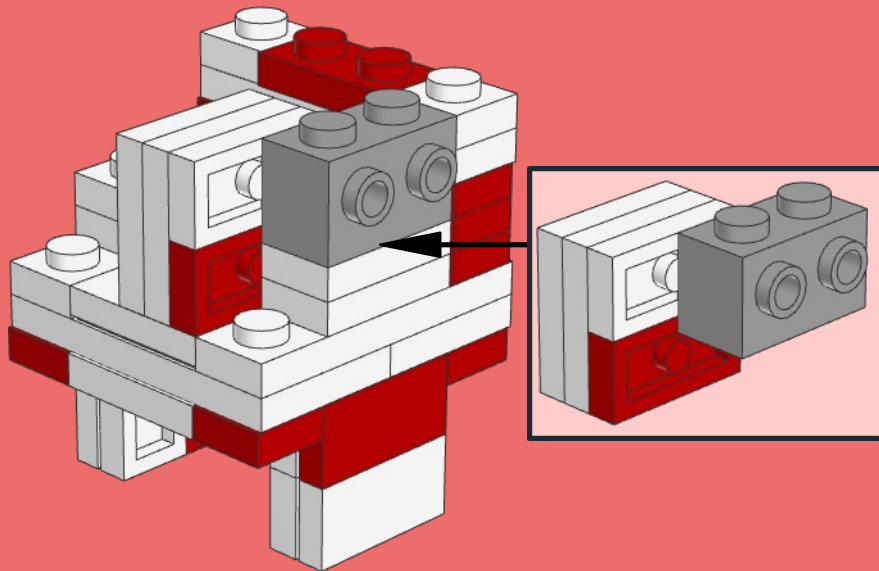
18

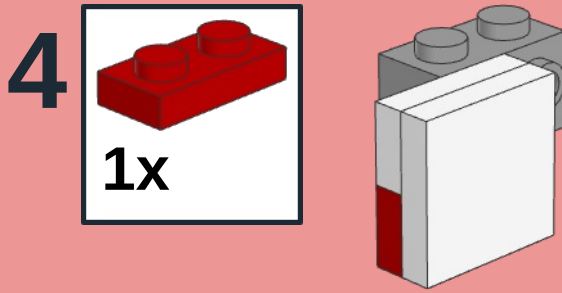
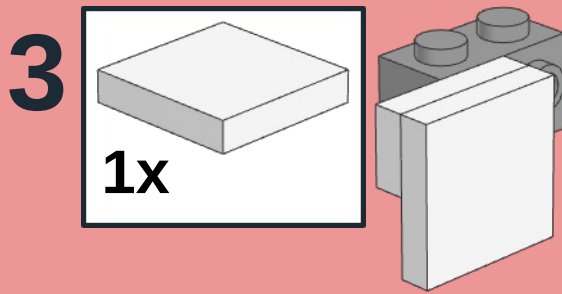
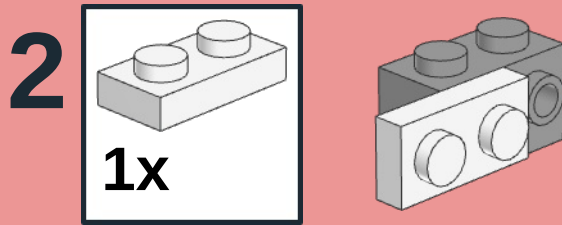
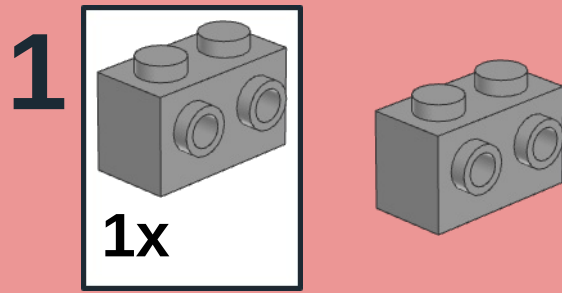


19

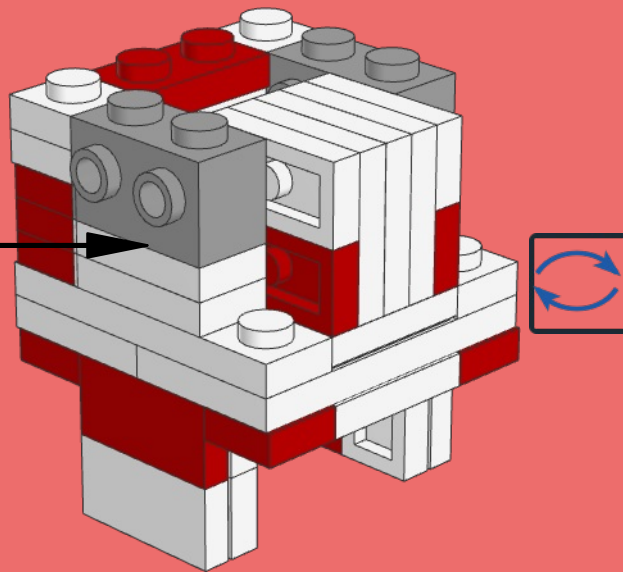
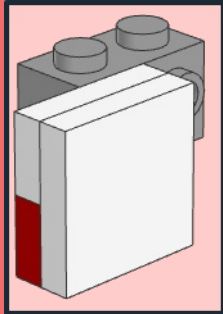




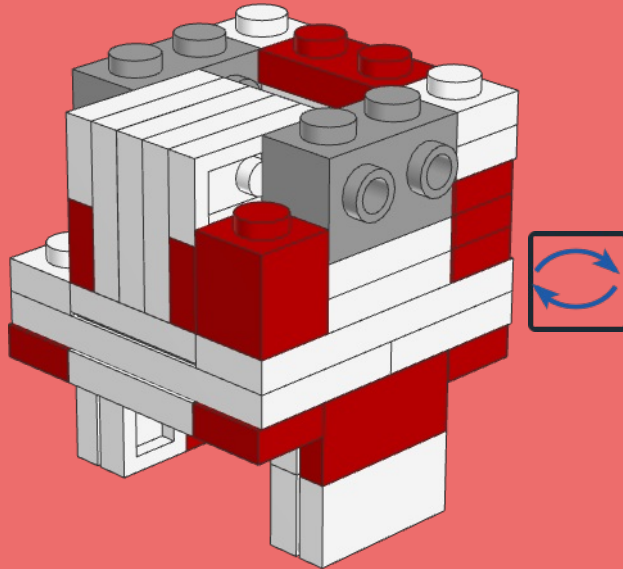
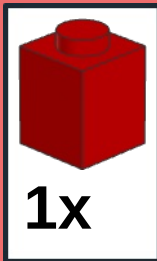




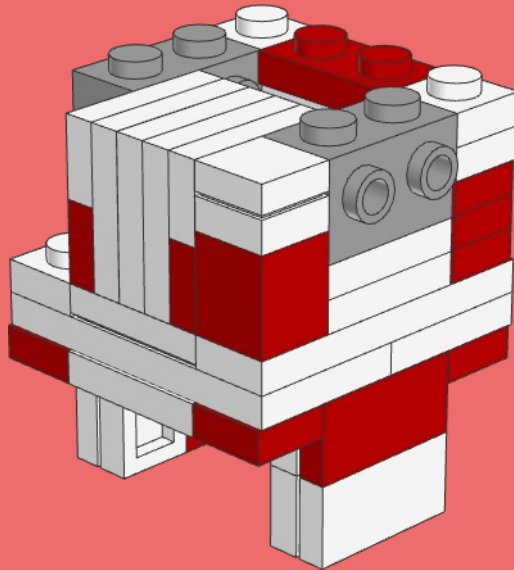
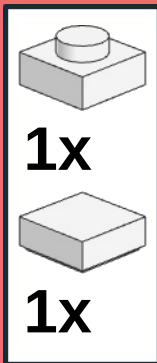
21



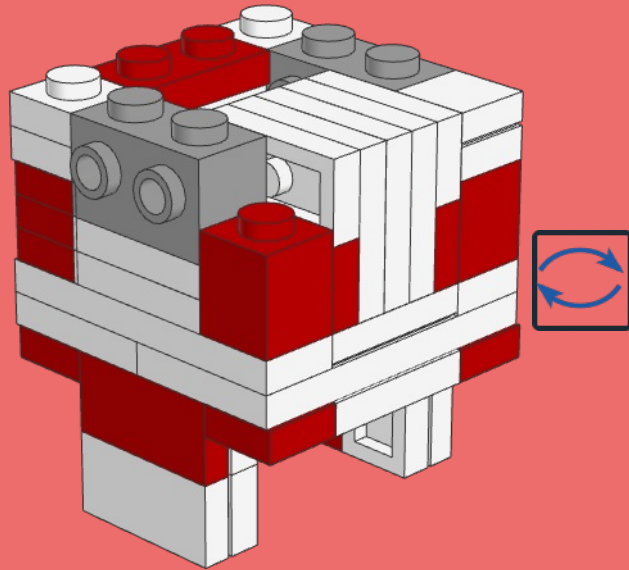
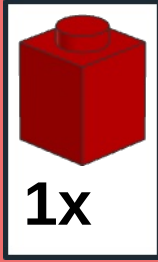
22



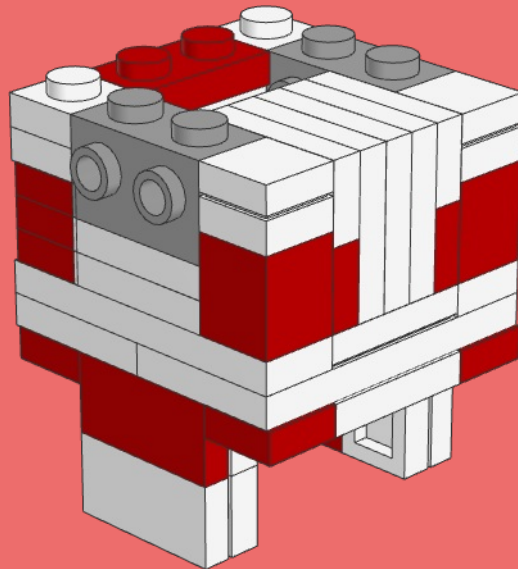
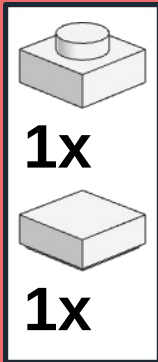
23



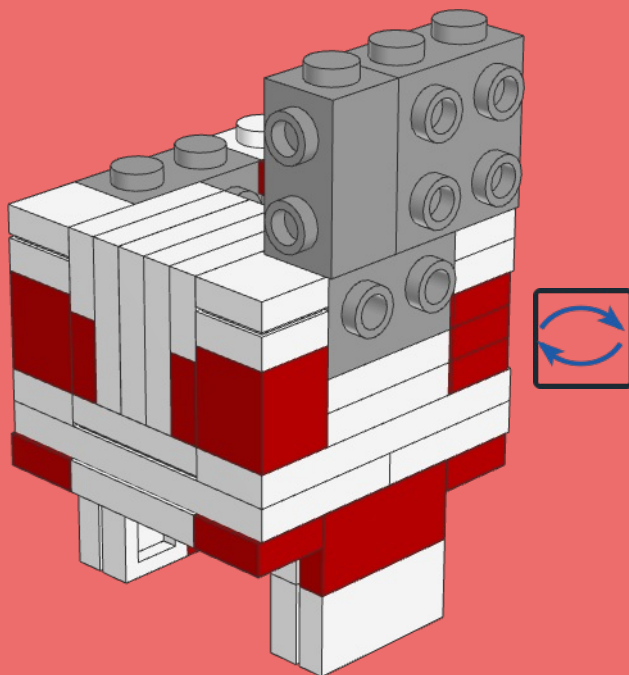
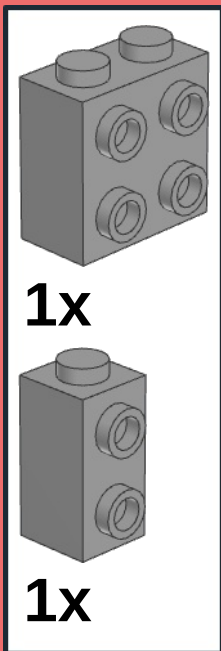
24



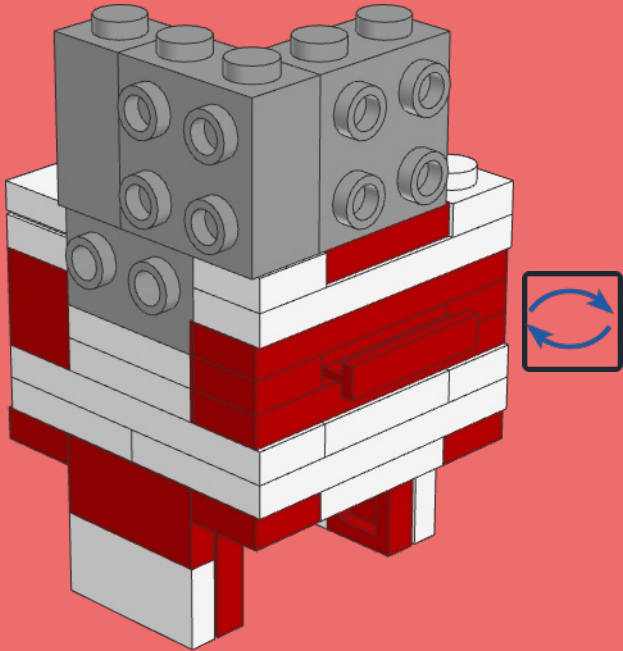
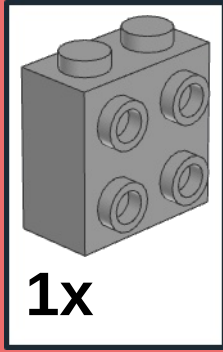
25



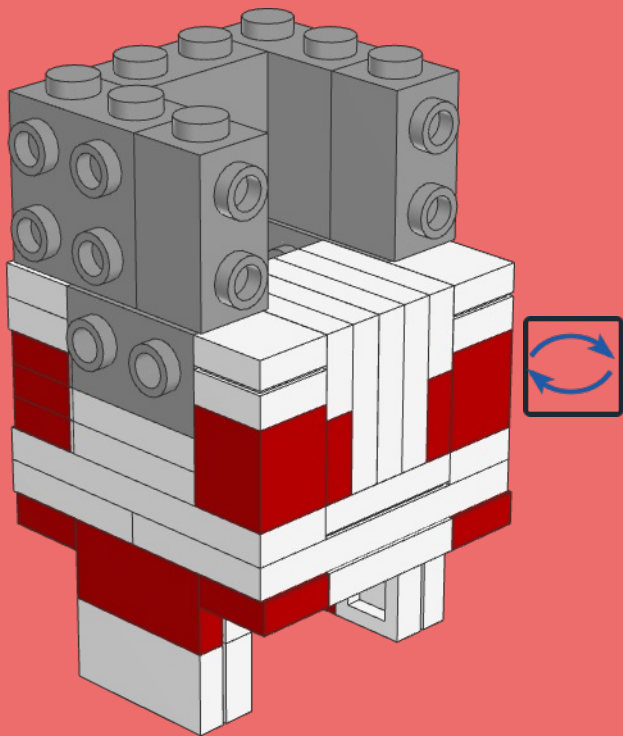
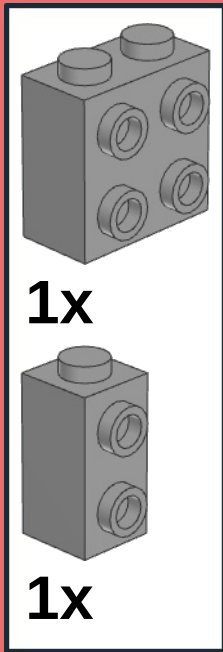
26



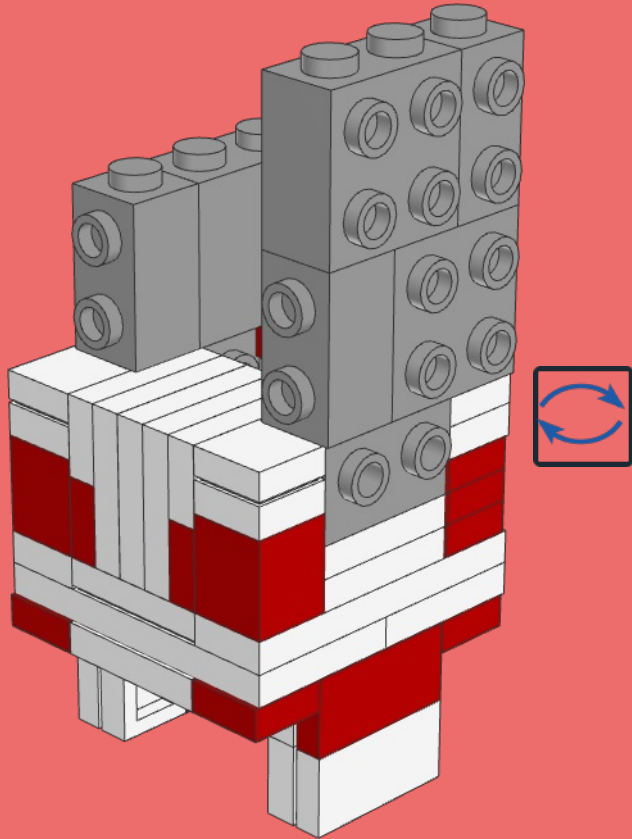
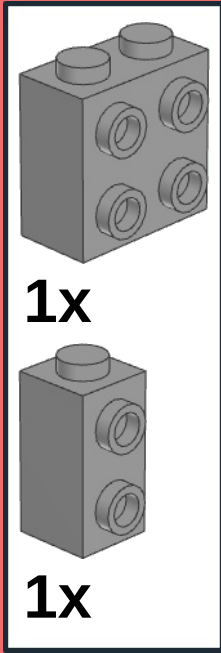
27



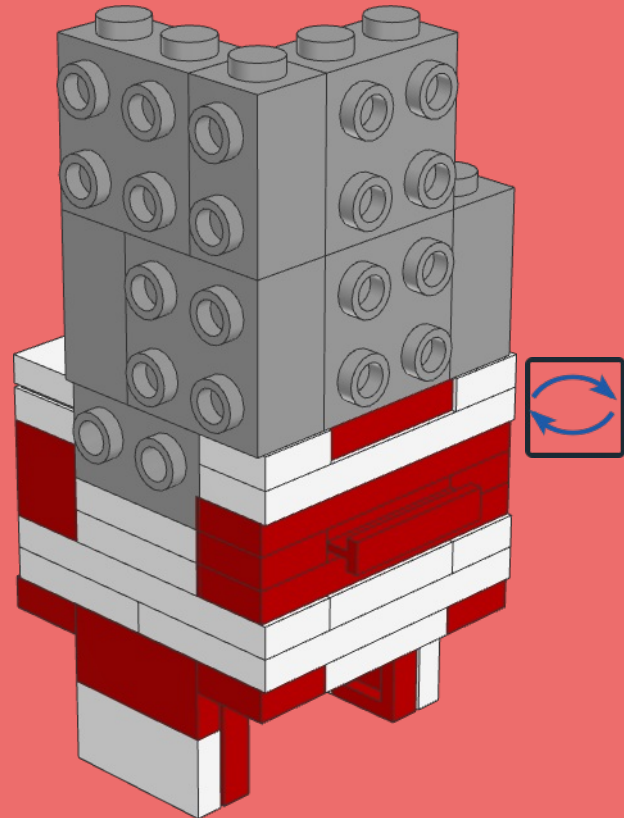
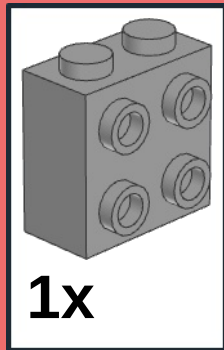
28



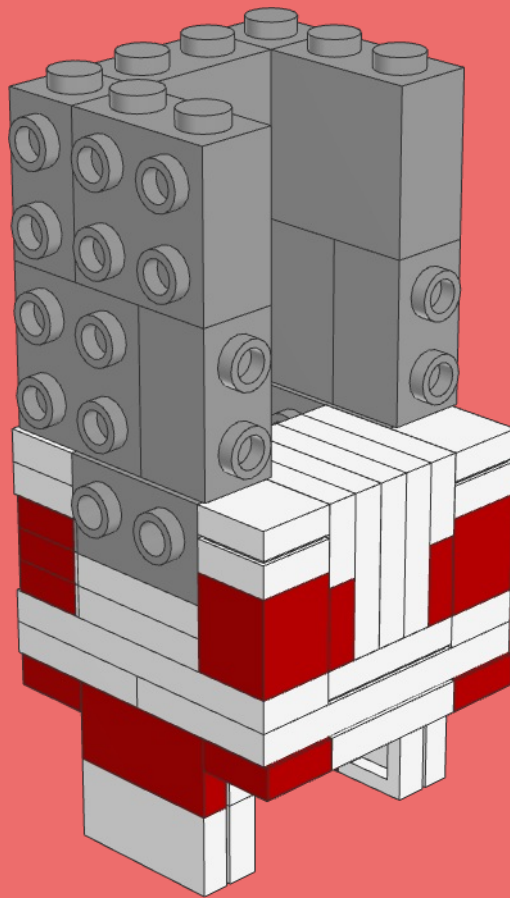
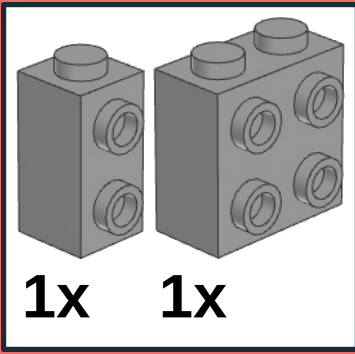
29



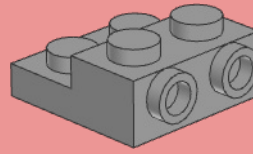
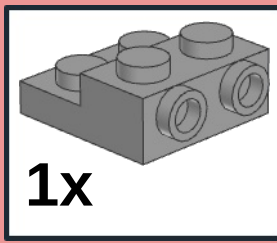
30



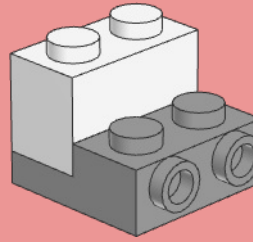
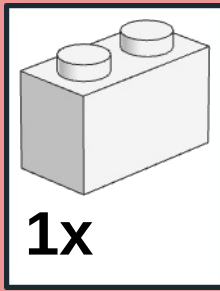
31



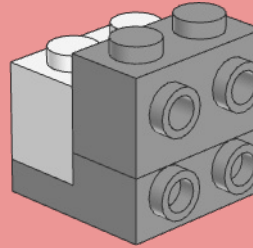
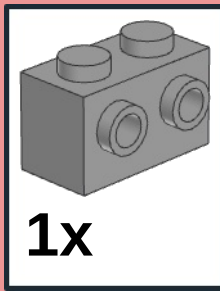
1



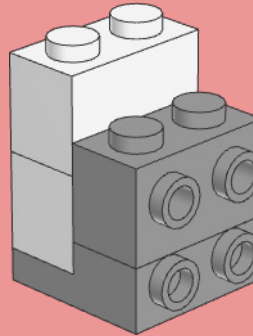
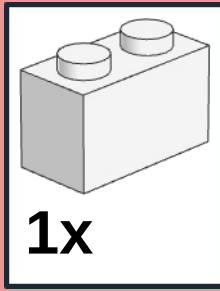
2



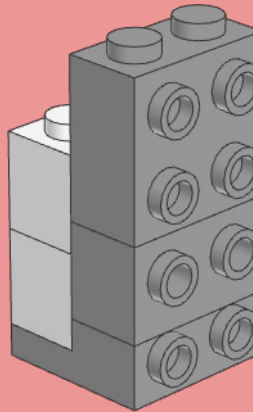
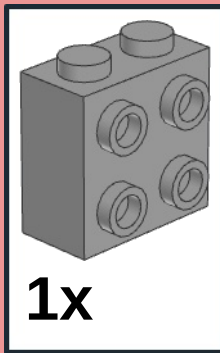
3



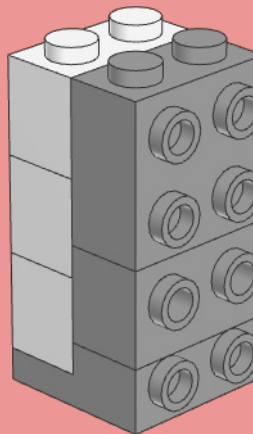
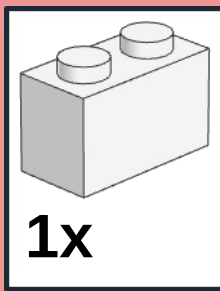
4

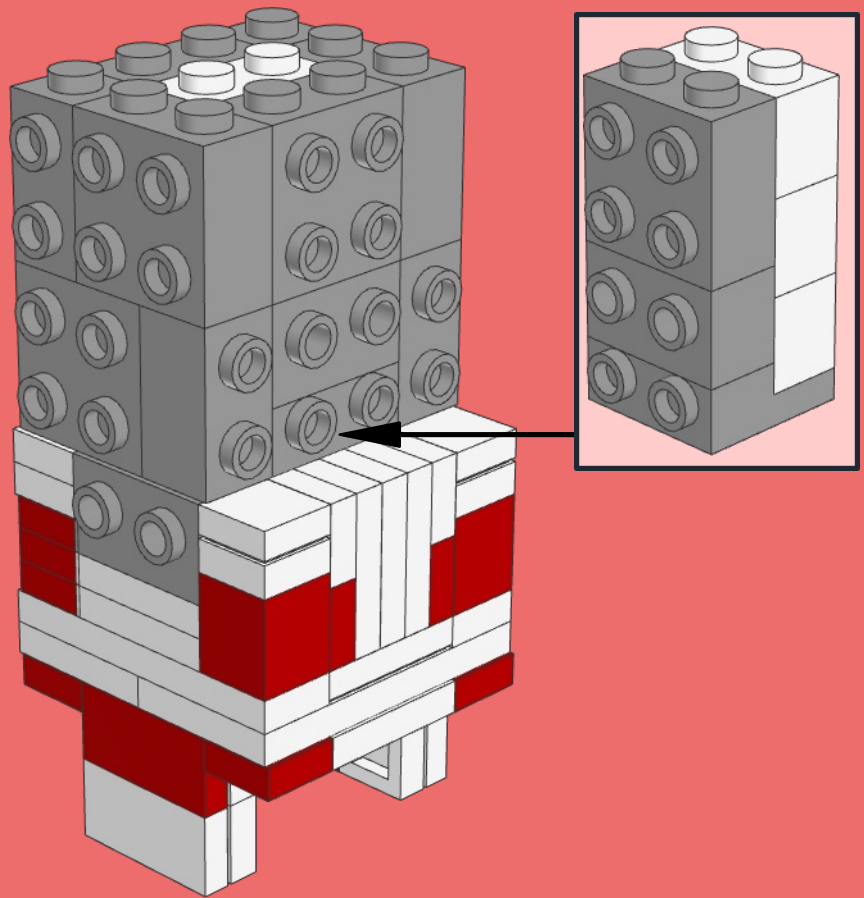


5

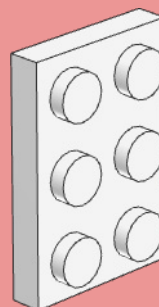
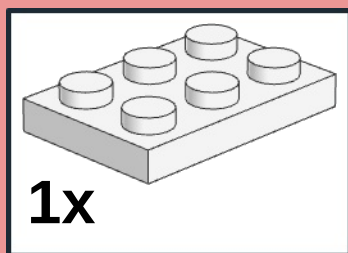


6

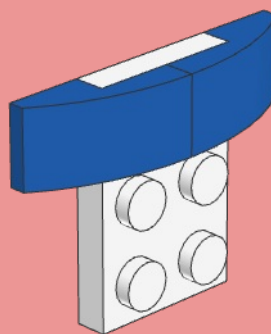
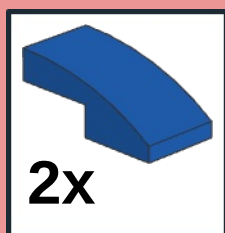




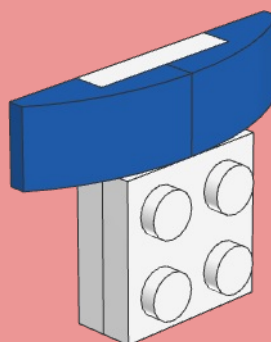
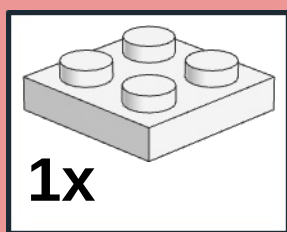
1



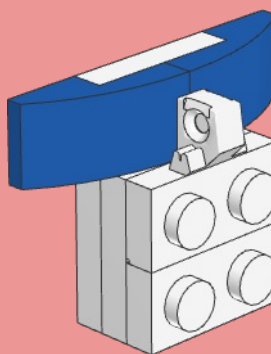
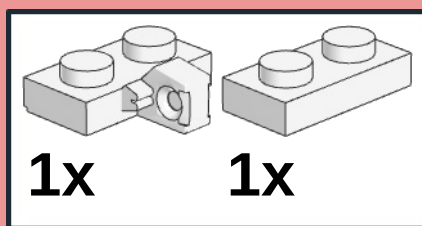
2



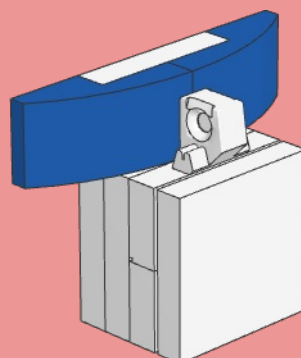
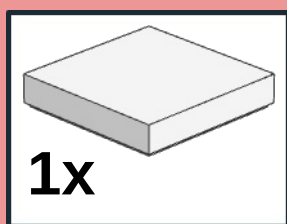
3

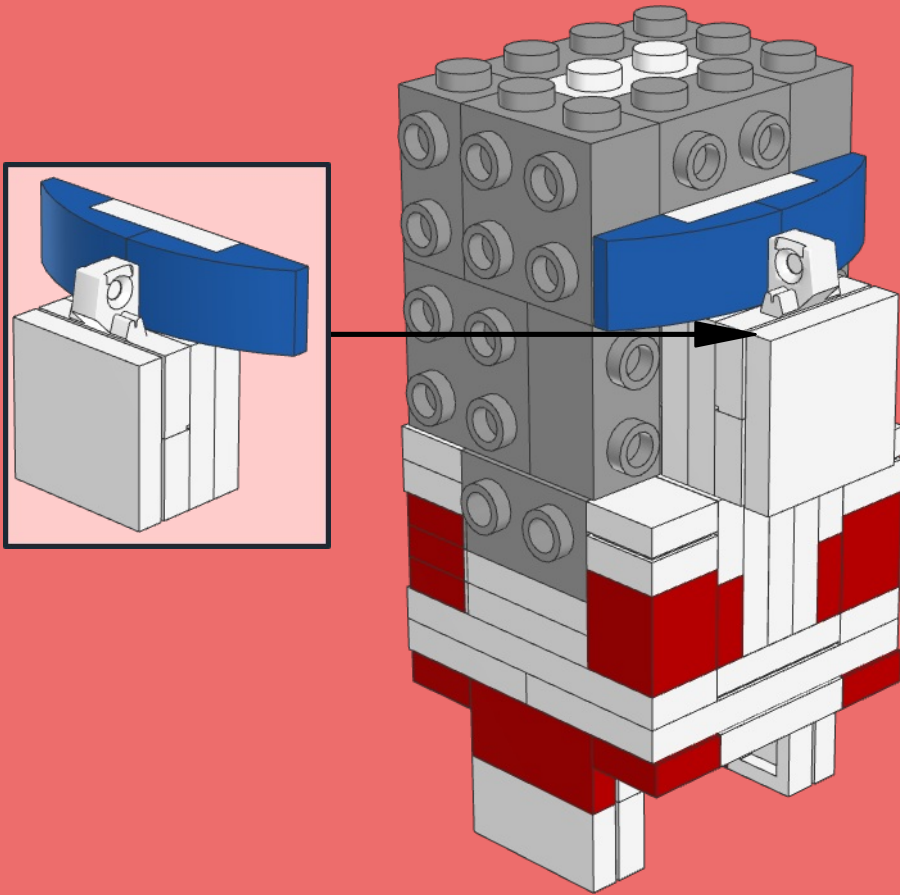


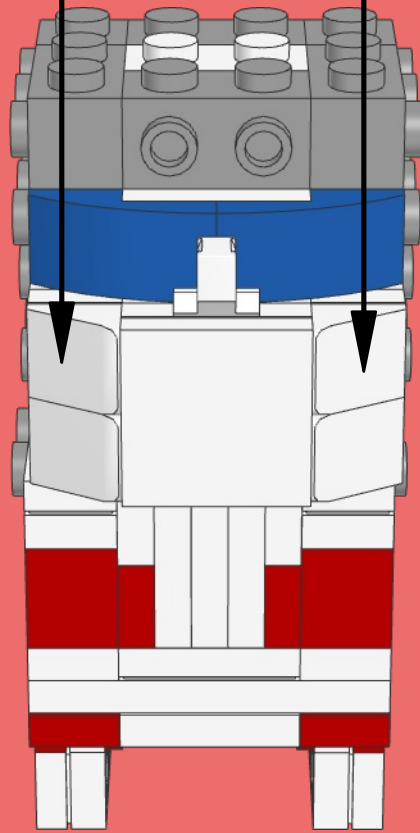
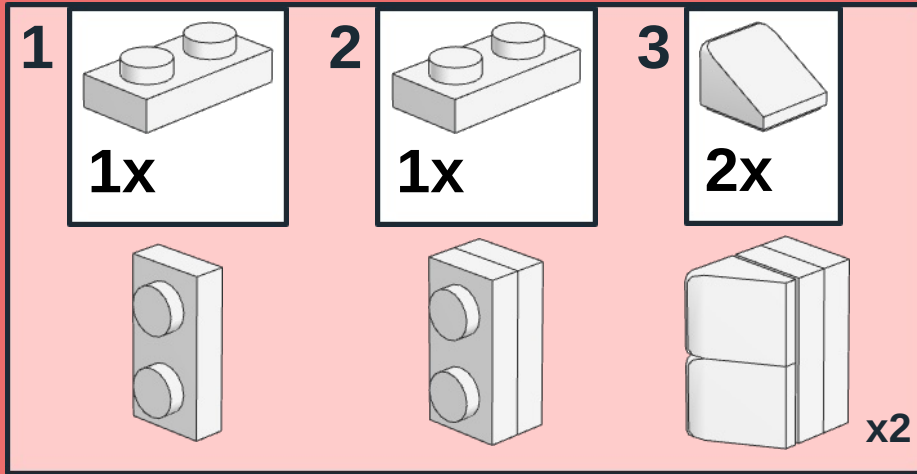
4



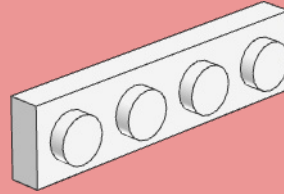
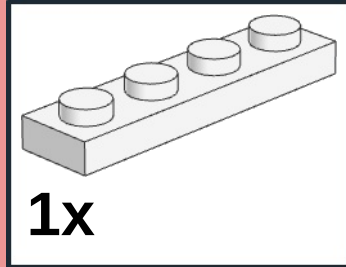
5



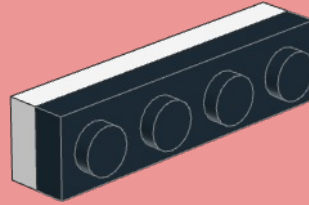
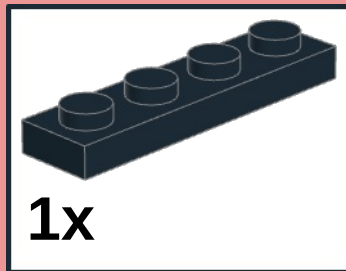




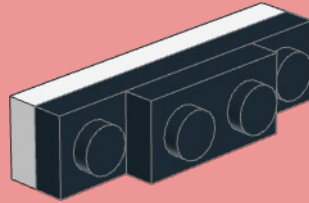
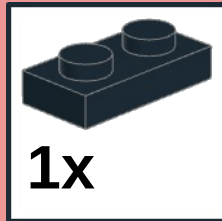
1



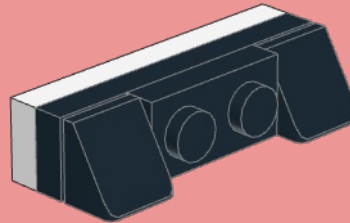
2



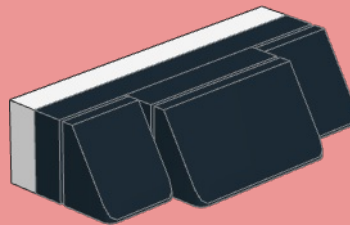
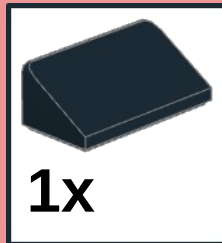
3

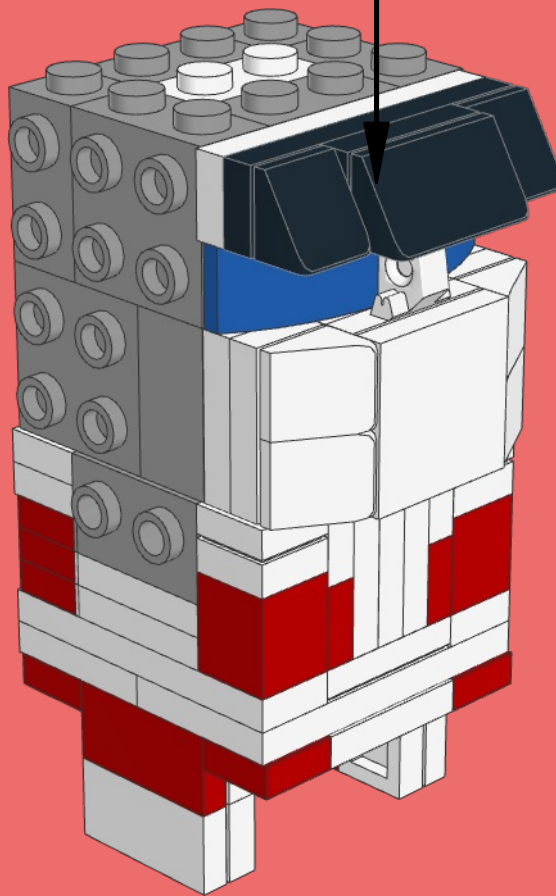
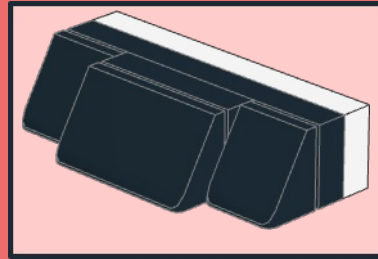


4

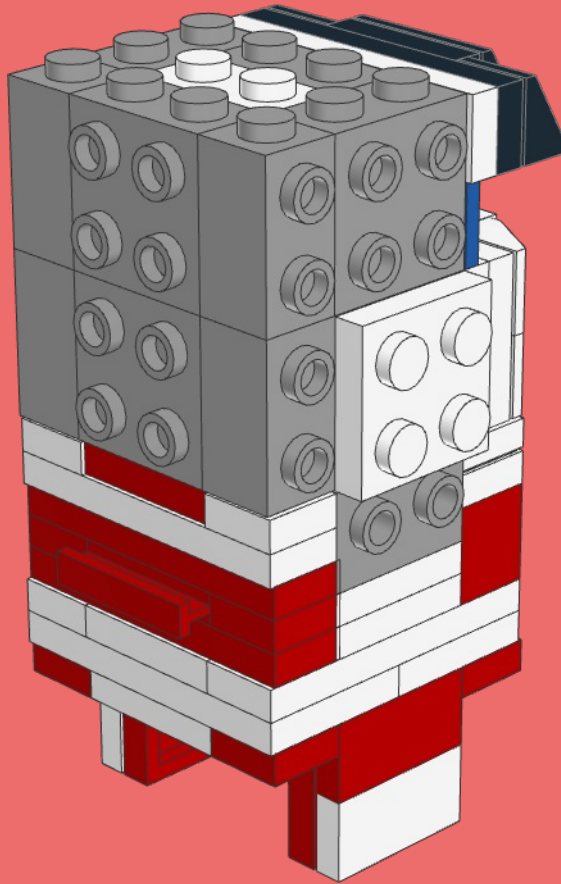
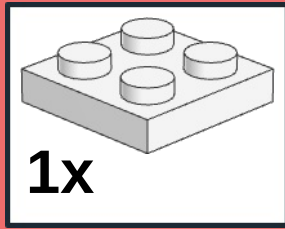


5

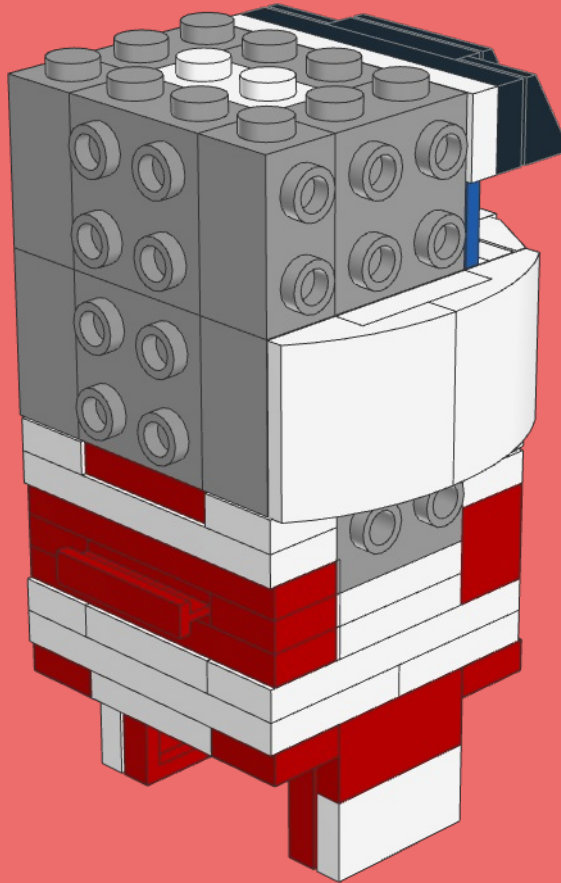
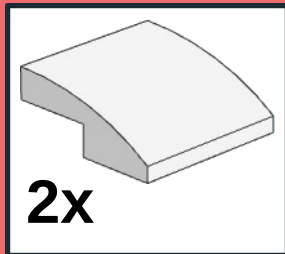




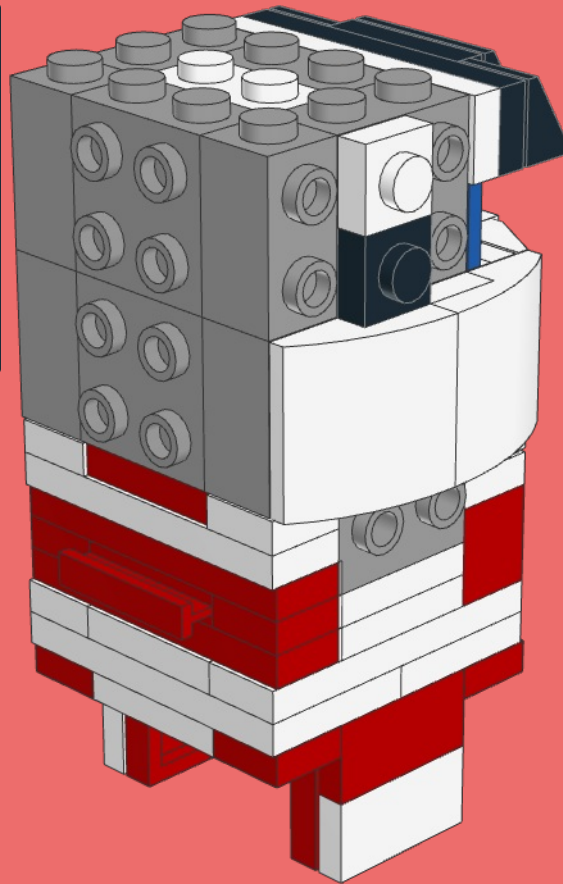
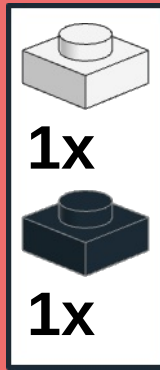
36



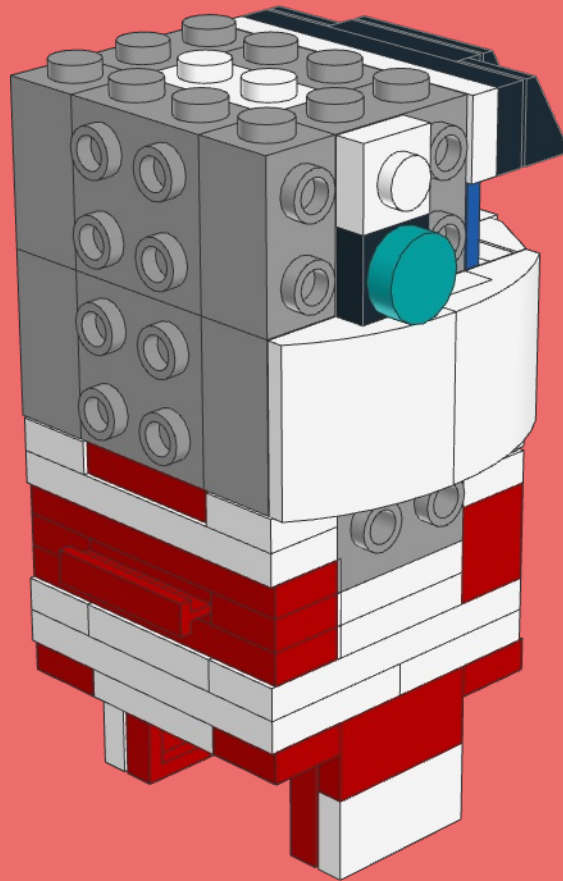
37



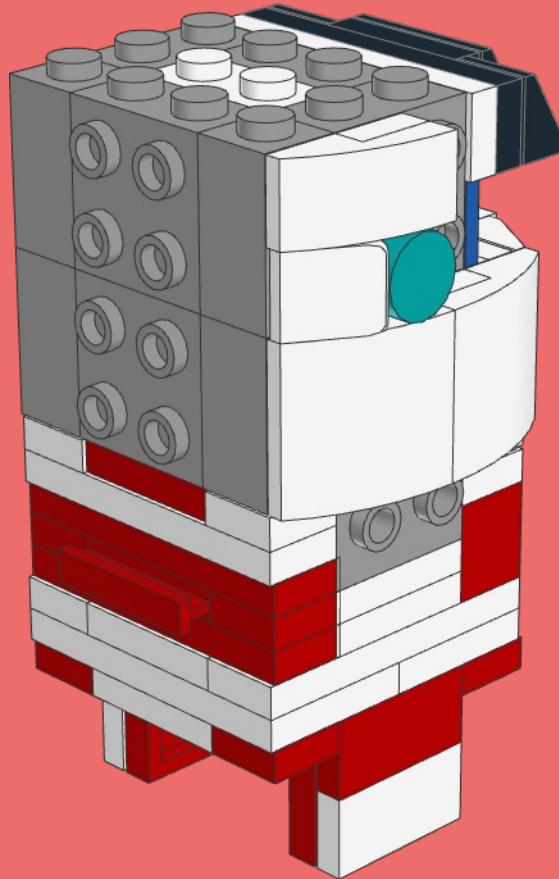
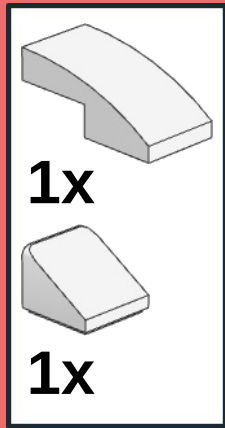
38



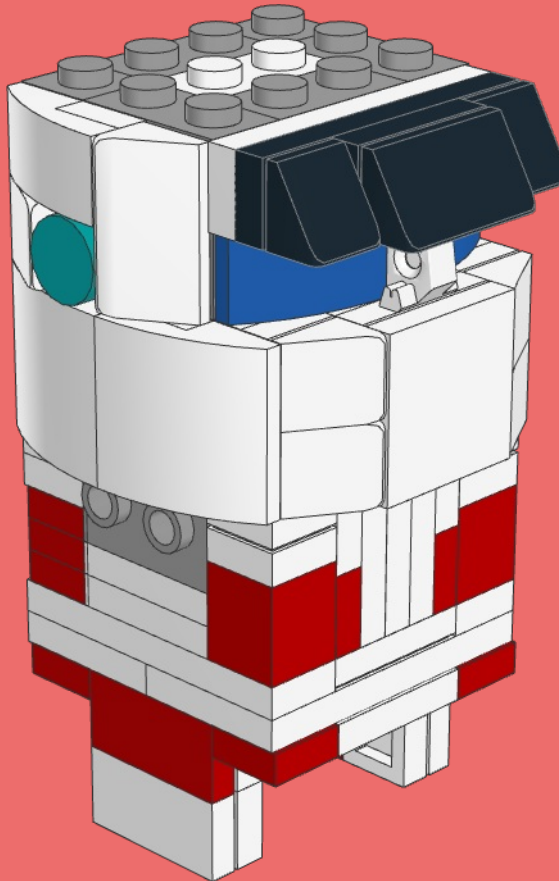
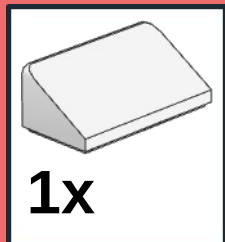
39



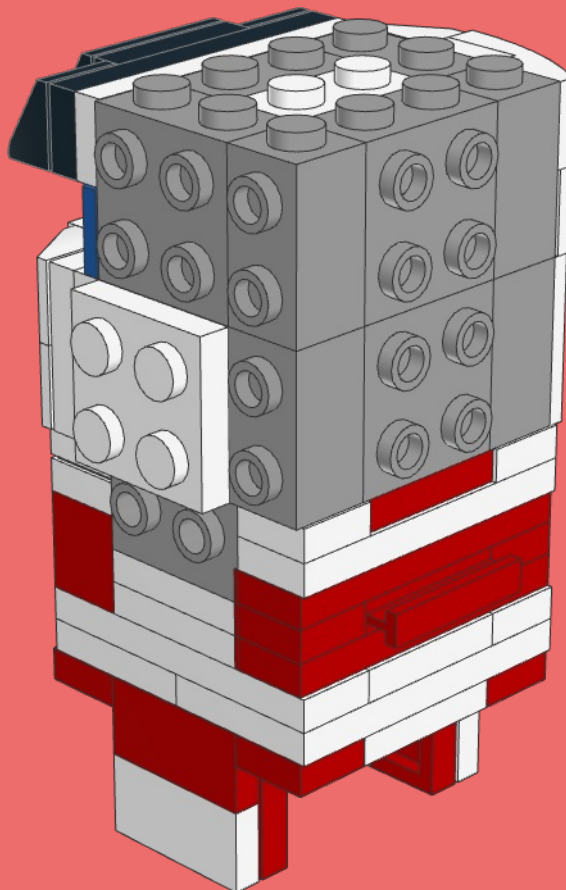
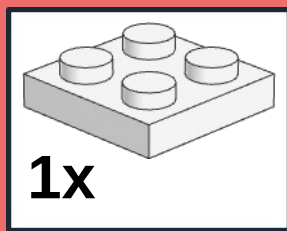
40



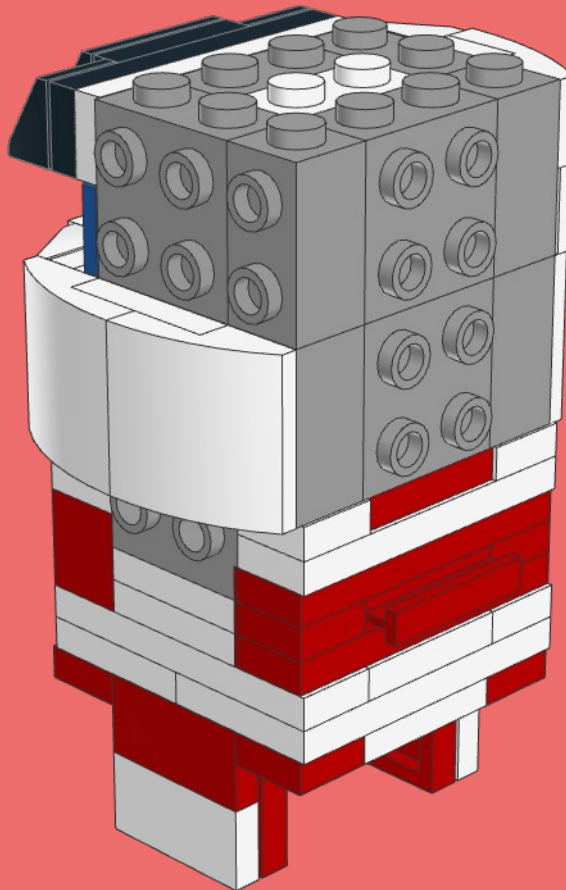
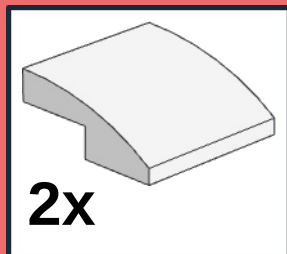
41



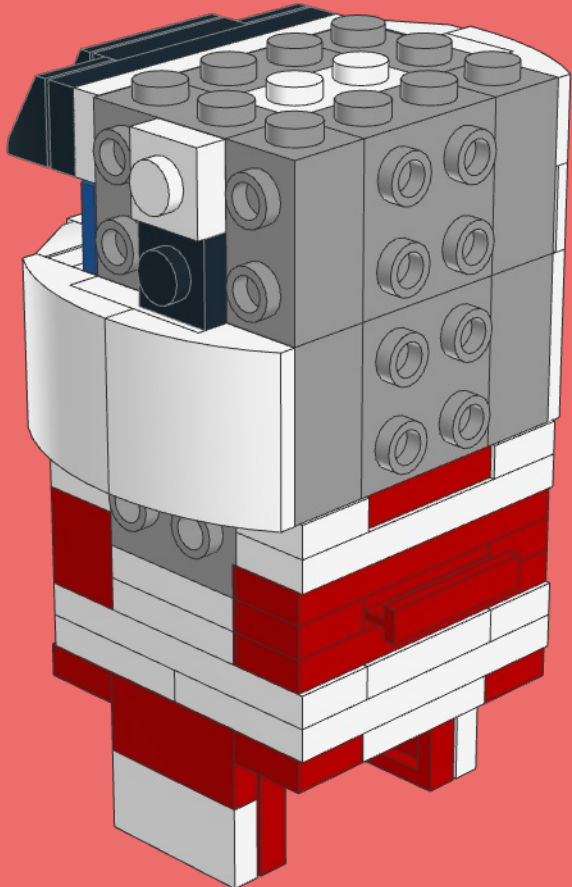
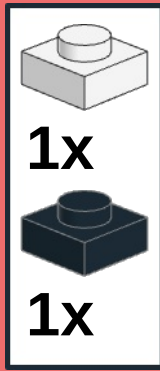
42



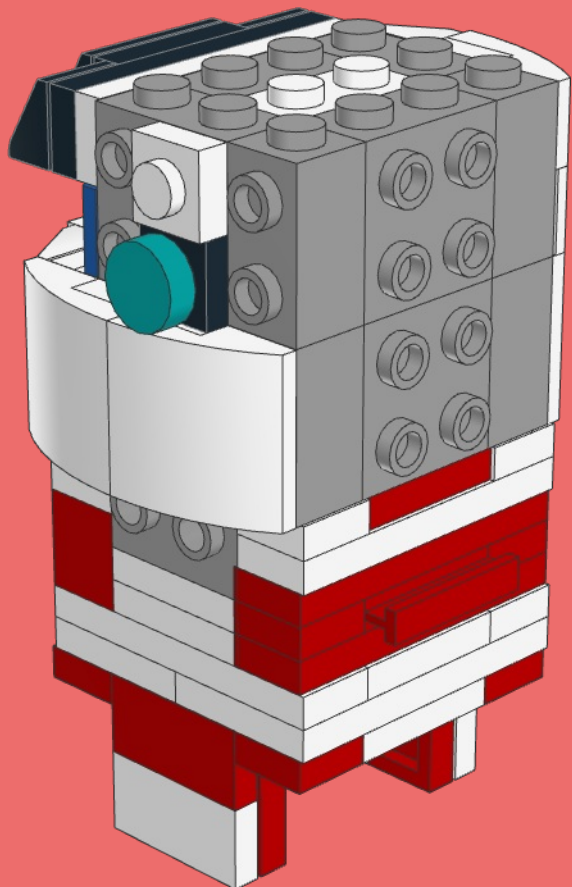
43



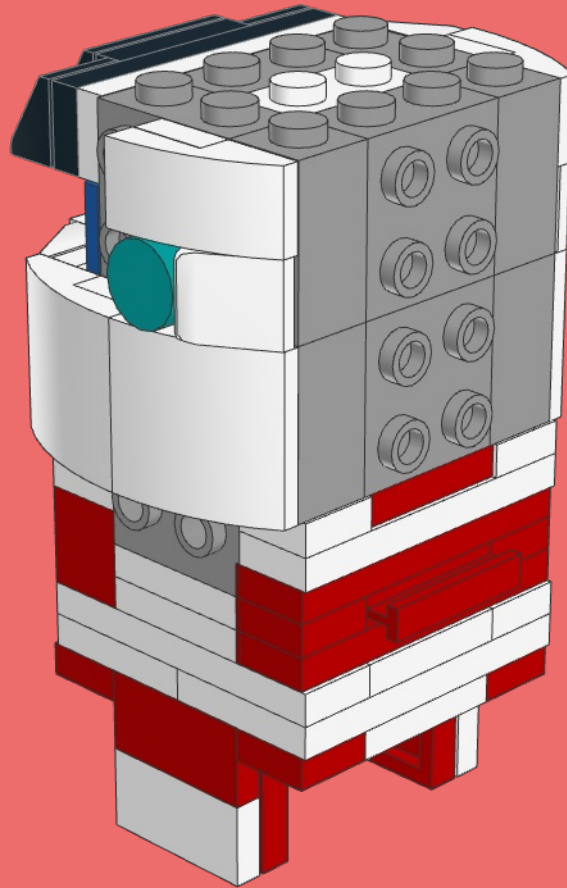
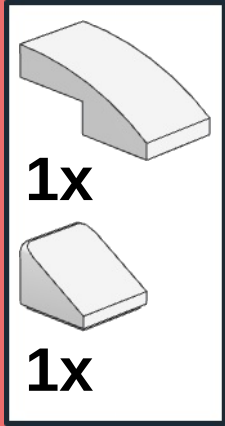
44



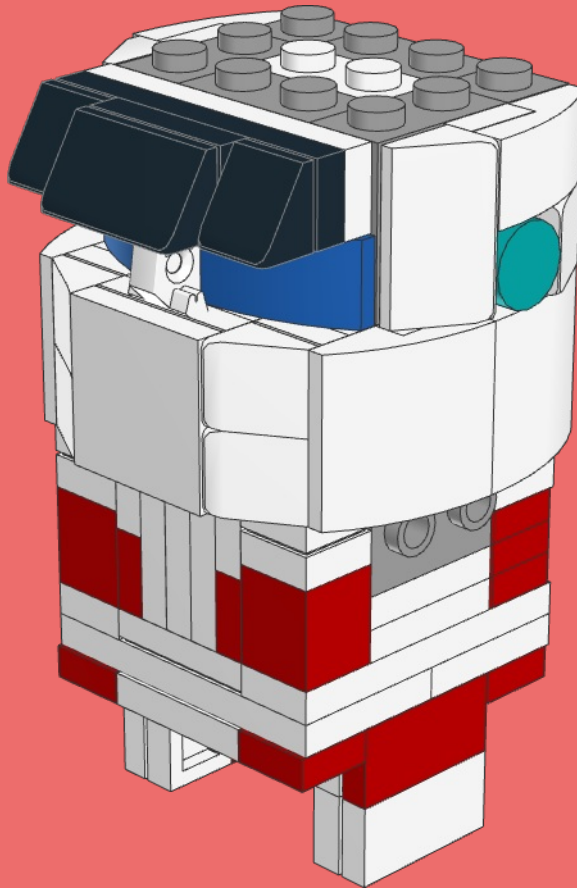
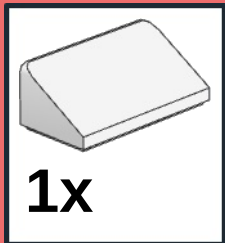
45



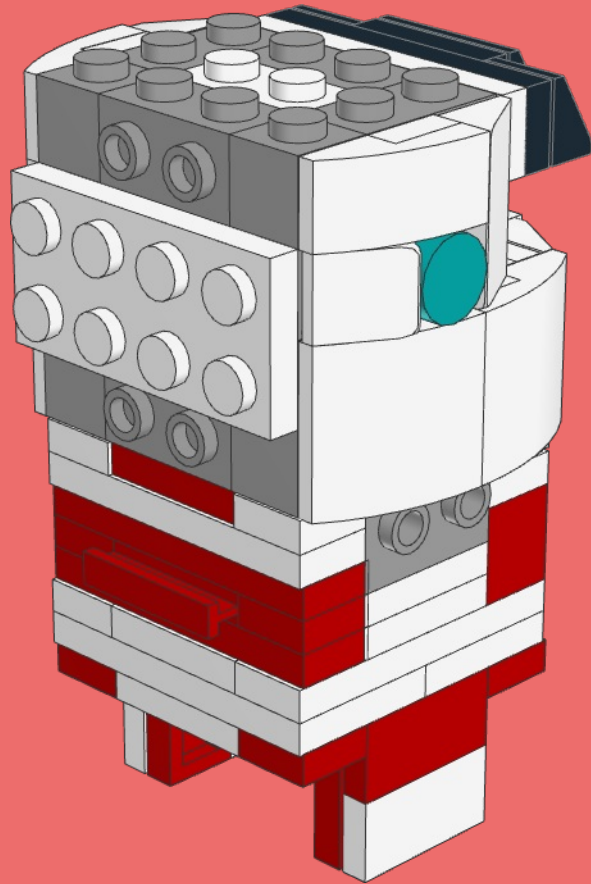
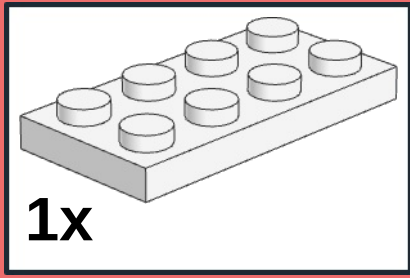
46



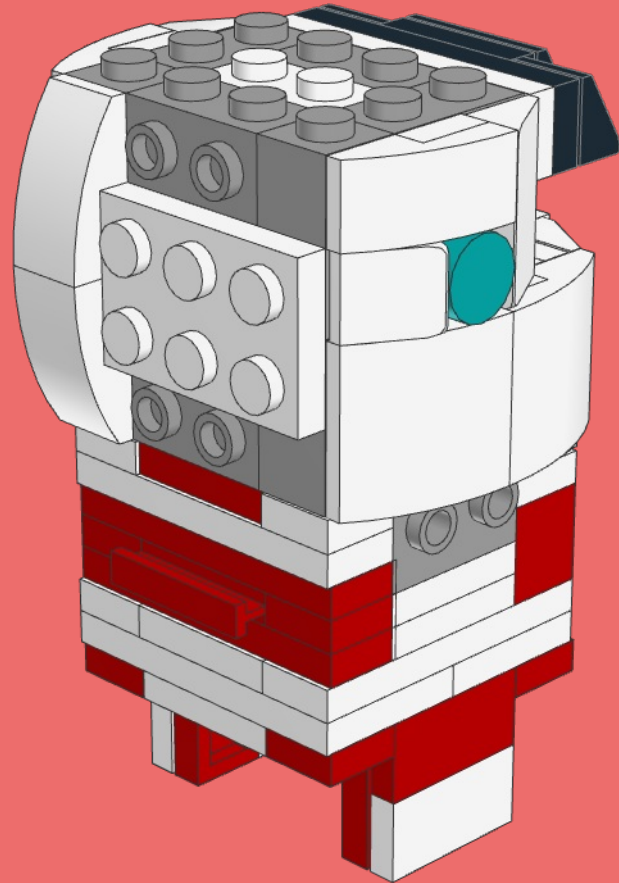
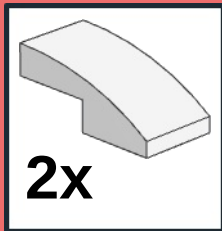
47



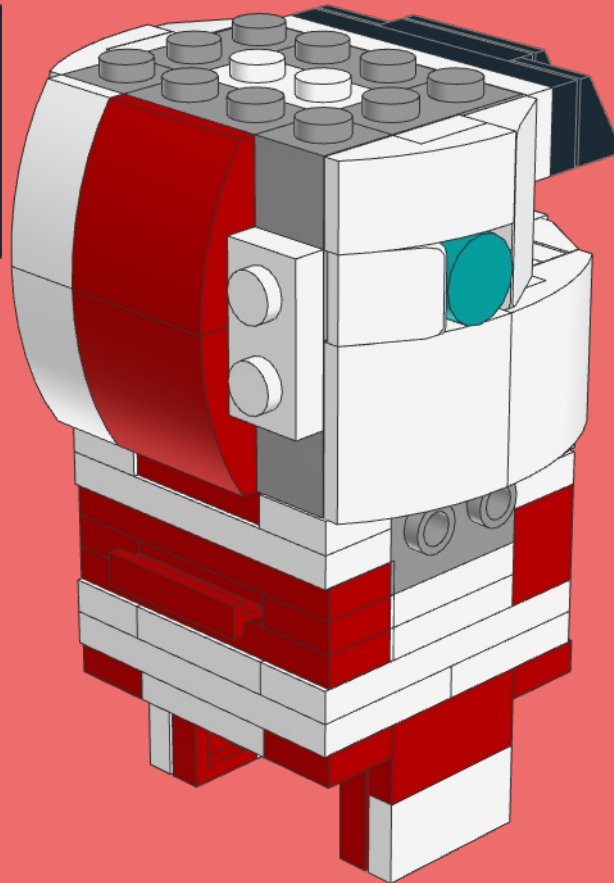
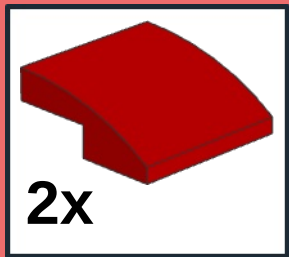
48



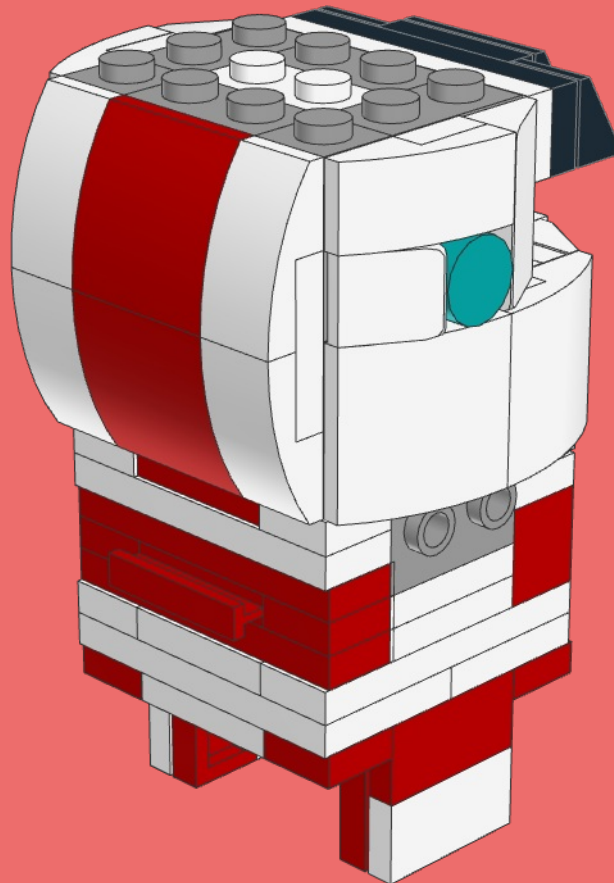
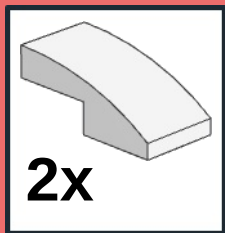
49



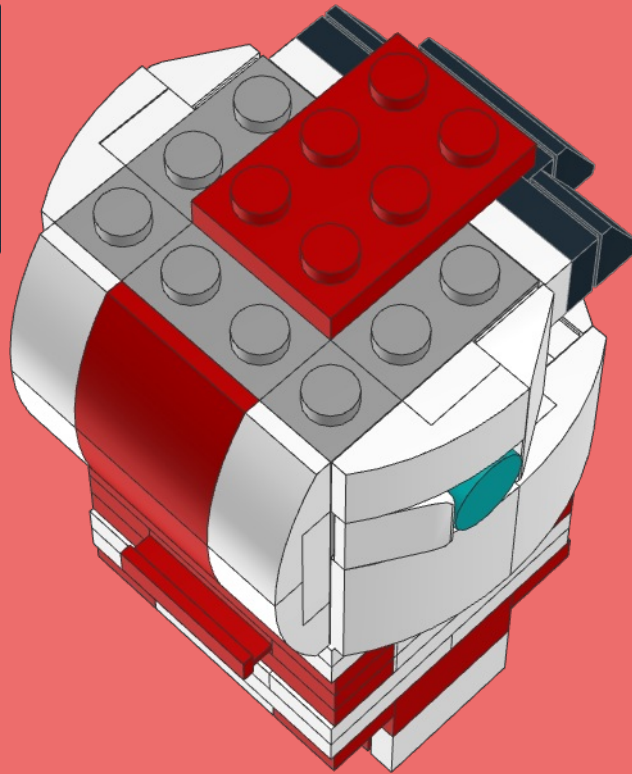
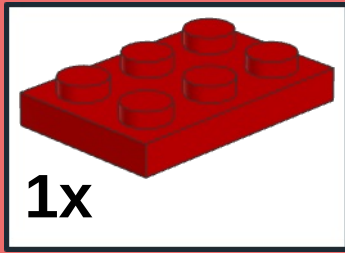
50



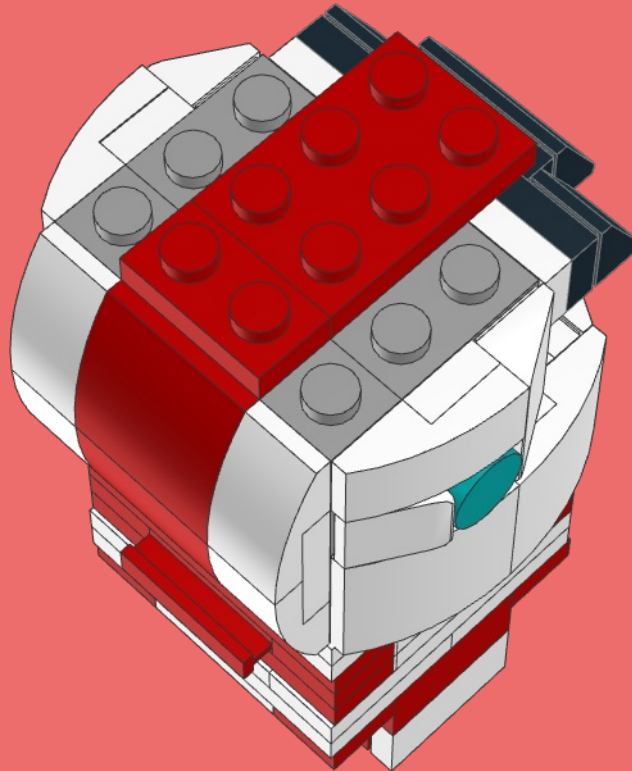
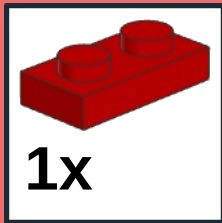
51



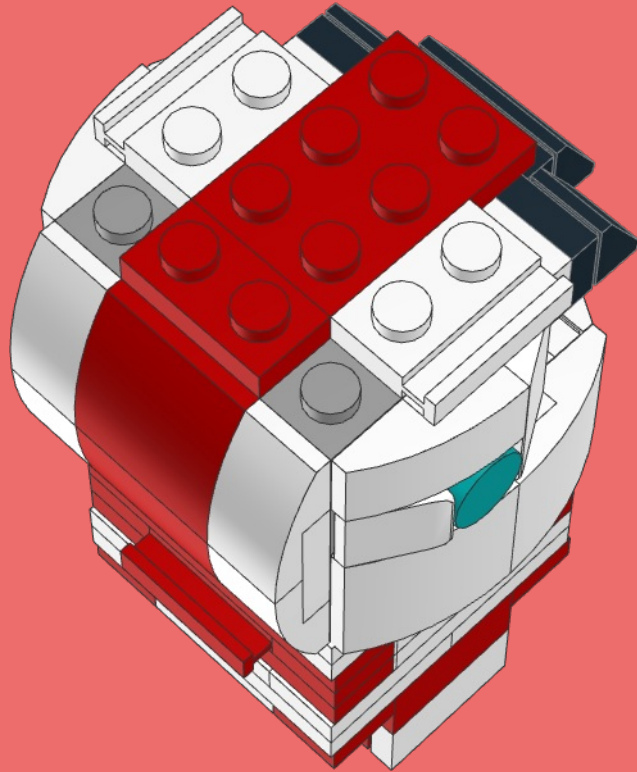
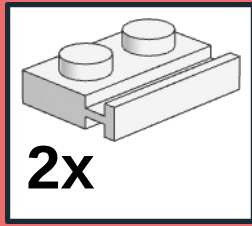
52



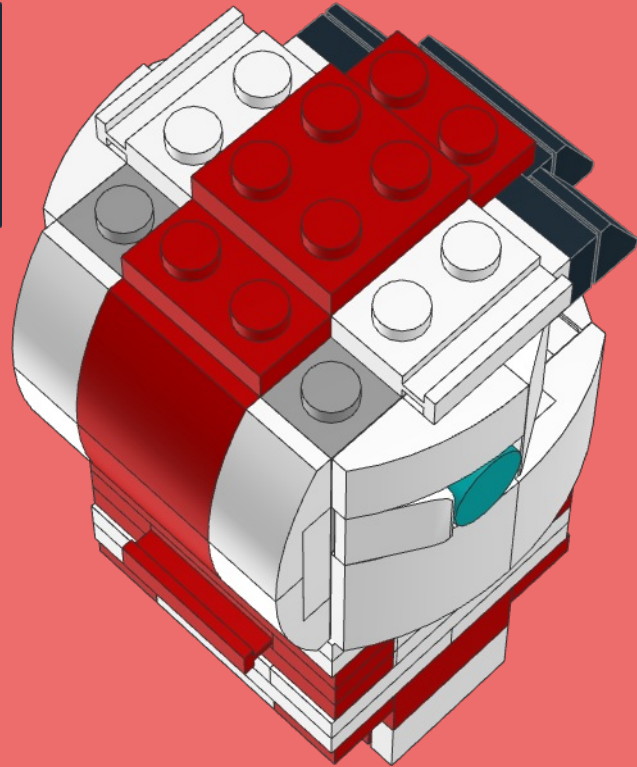
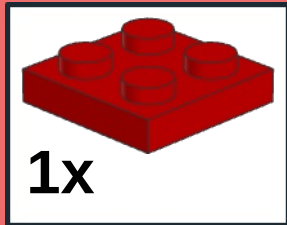
53



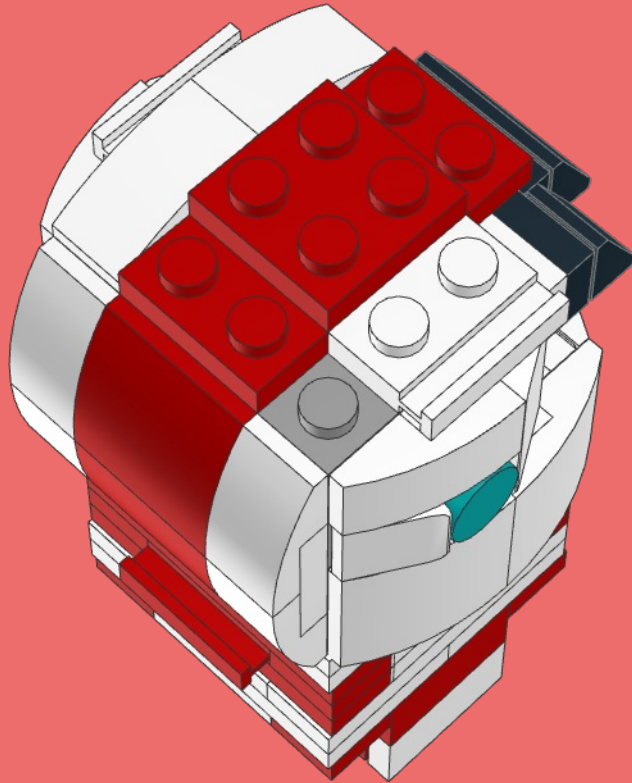
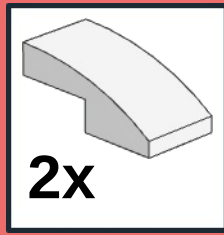
54



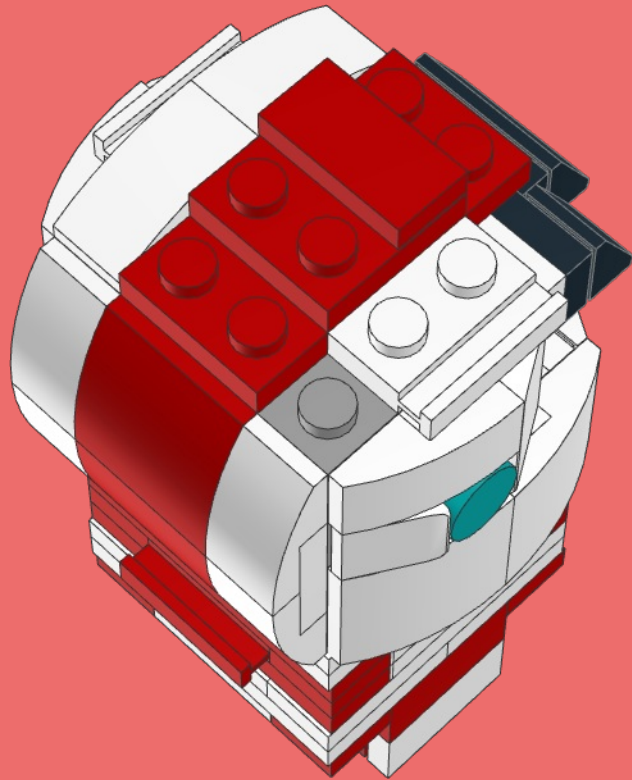
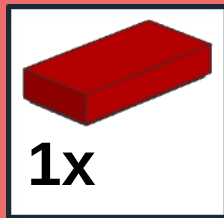
55



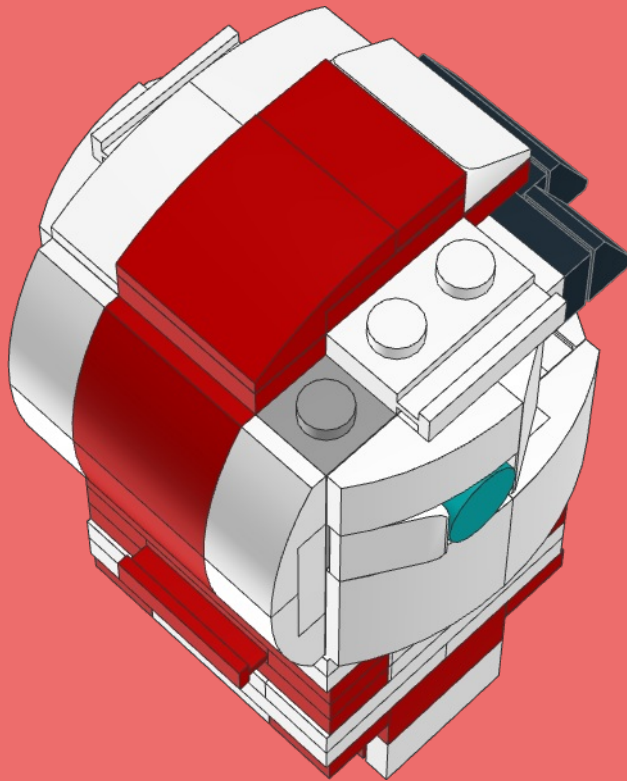
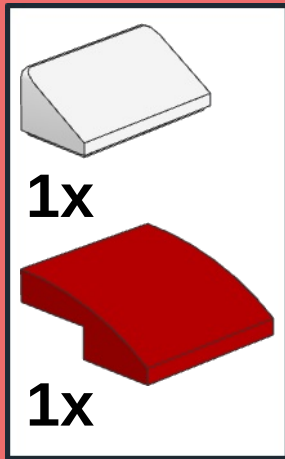
56



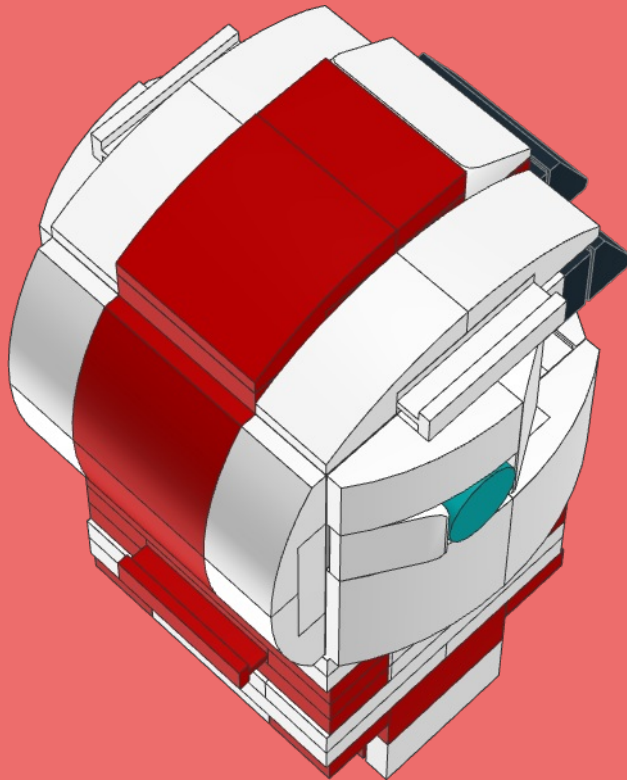
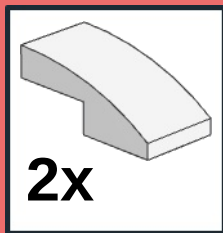
57

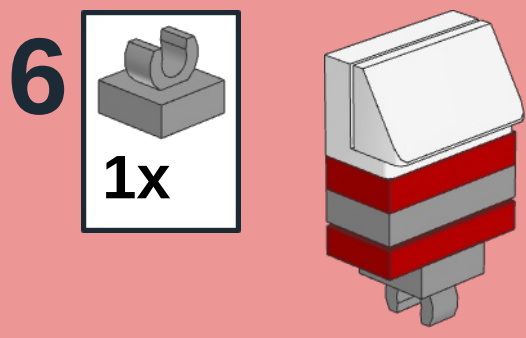
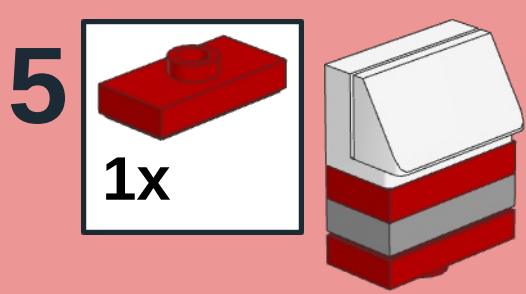
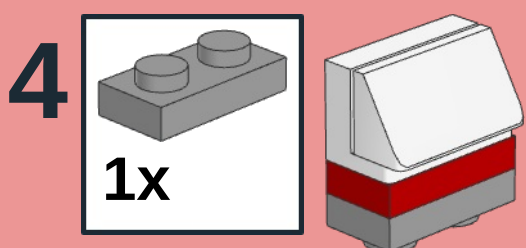
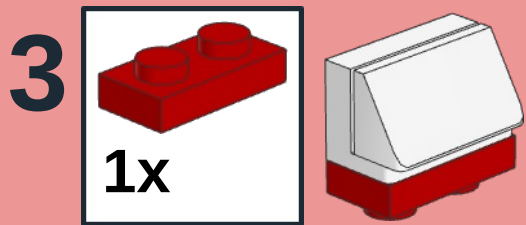
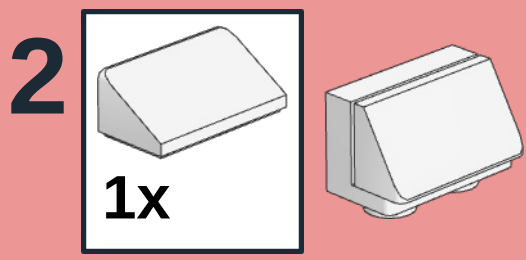
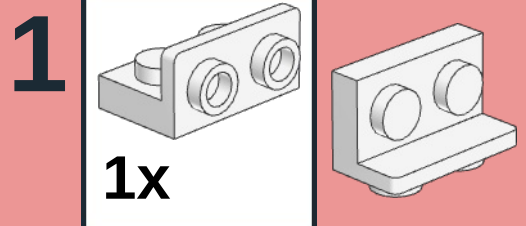


58



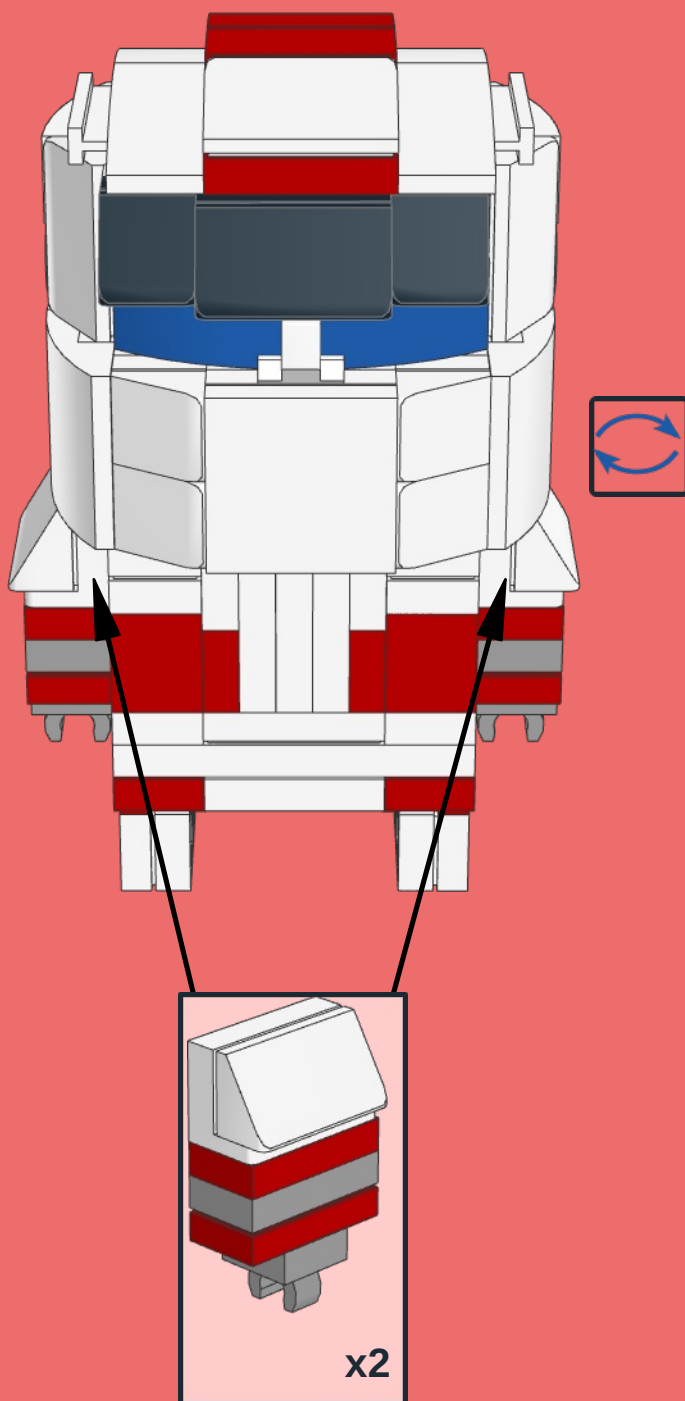
59

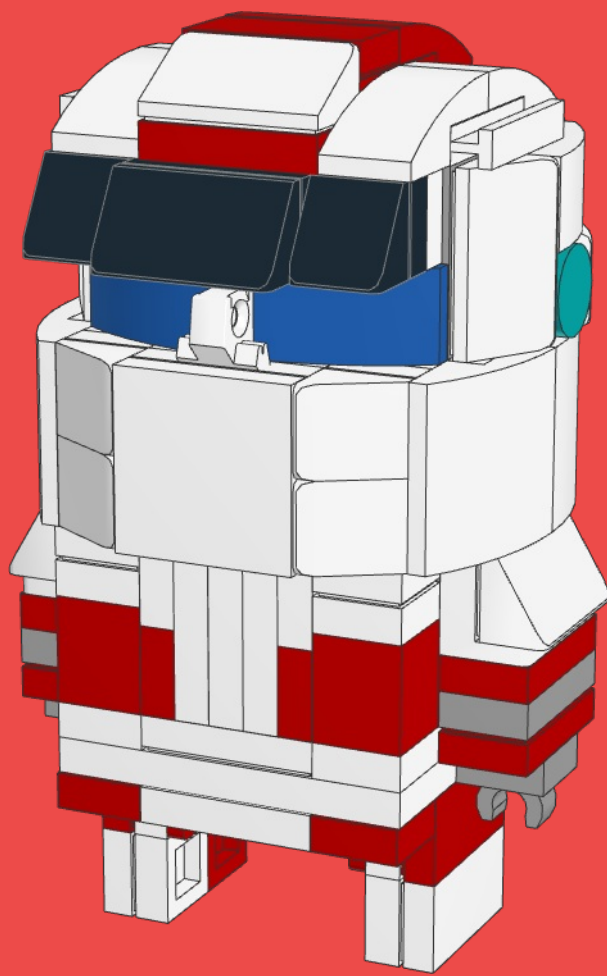


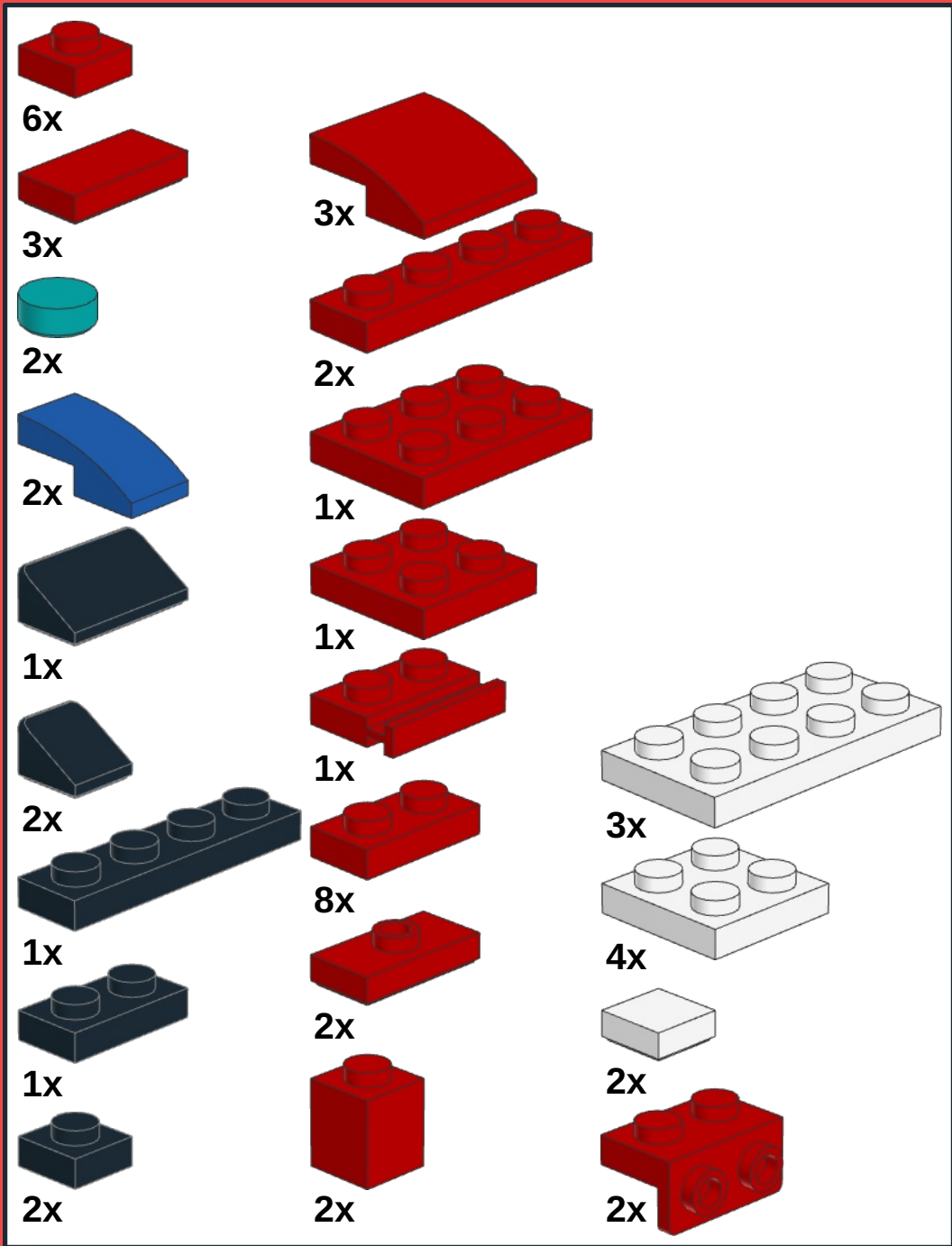


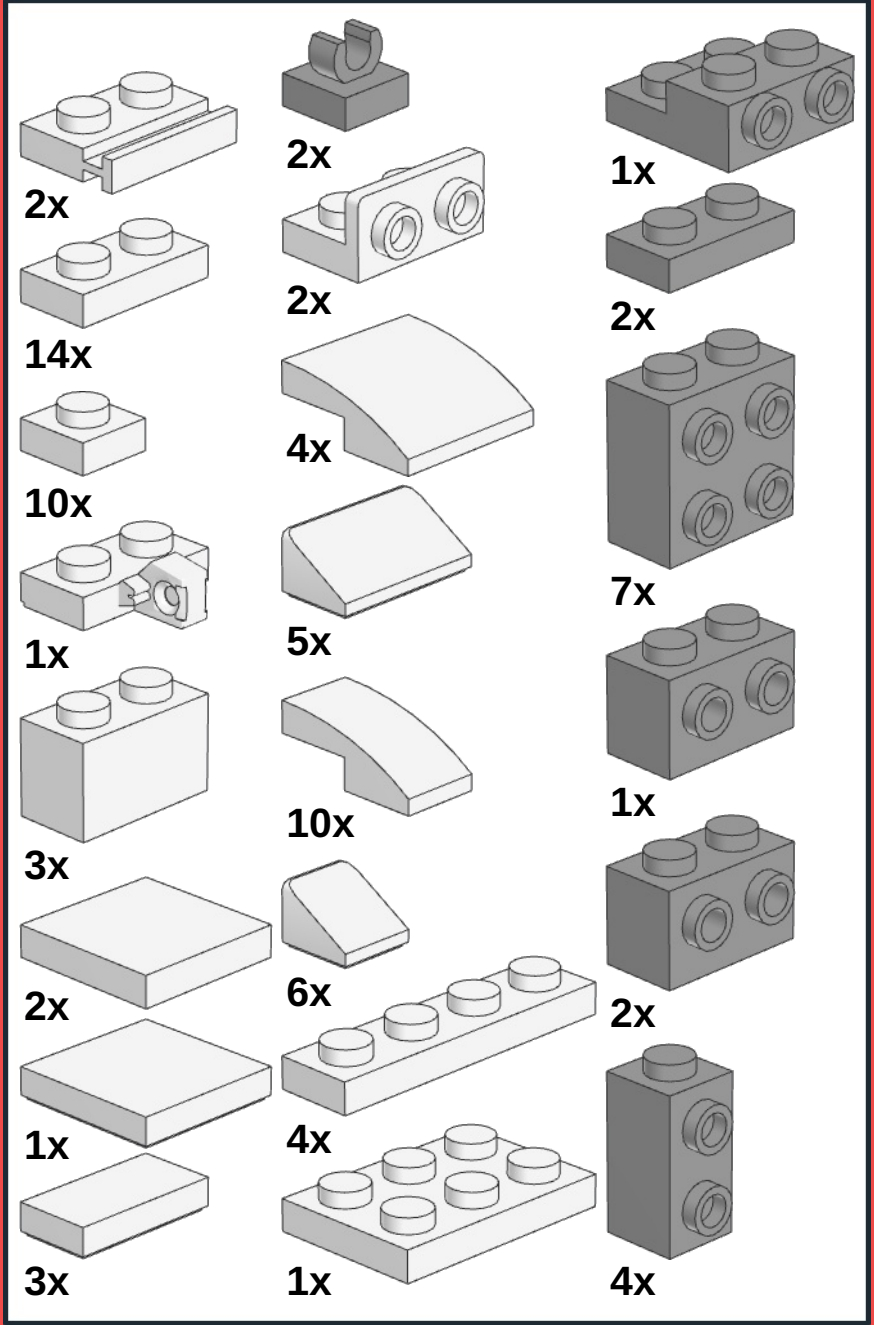
x2

60









Honorable mentions of supporters:

Teg12345

dalesr

csscg

Bwtpelego

inkachi



Hope you had fun with this model and instructions.

As always you can reach out to me via email:

birdbrickbuilds@gmail.com

You can also check my work on rebrickable and instagram:

<https://rebrickable.com/users/birdbrickbuilds/>

<https://www.instagram.com/birdbrickbuilds/>

If you wish to help me continue to make this models and instructions you can buy me a coffee to help me stay up late:

<https://www.buymeacoffee.com/birdbrickbl>

Or you can buy my Coffee Espresso MOC:

<https://reb.li/m/118798>

Or even you can buy my Beer Mug MOC:

<https://reb.li/m/137364>



This work is licensed under a [Creative Commons Attribution-NonCommercial-ShareAlike 4.0 International License](https://creativecommons.org/licenses/by-nc-sa/4.0/).