

SABER RIDER

AND THE
STAR SHERIFFS

The logo for 'Saber Rider and the Star Sheriffs' is centered at the top. It features the words 'SABER RIDER' in a large, stylized, red, blocky font with a blue outline. Below this, a silver sword with a blue hilt is positioned horizontally. A five-pointed silver star is superimposed over the blade of the sword. The words 'AND THE STAR SHERIFFS' are written in a smaller, red, blocky font across the star and the lower part of the sword blade.

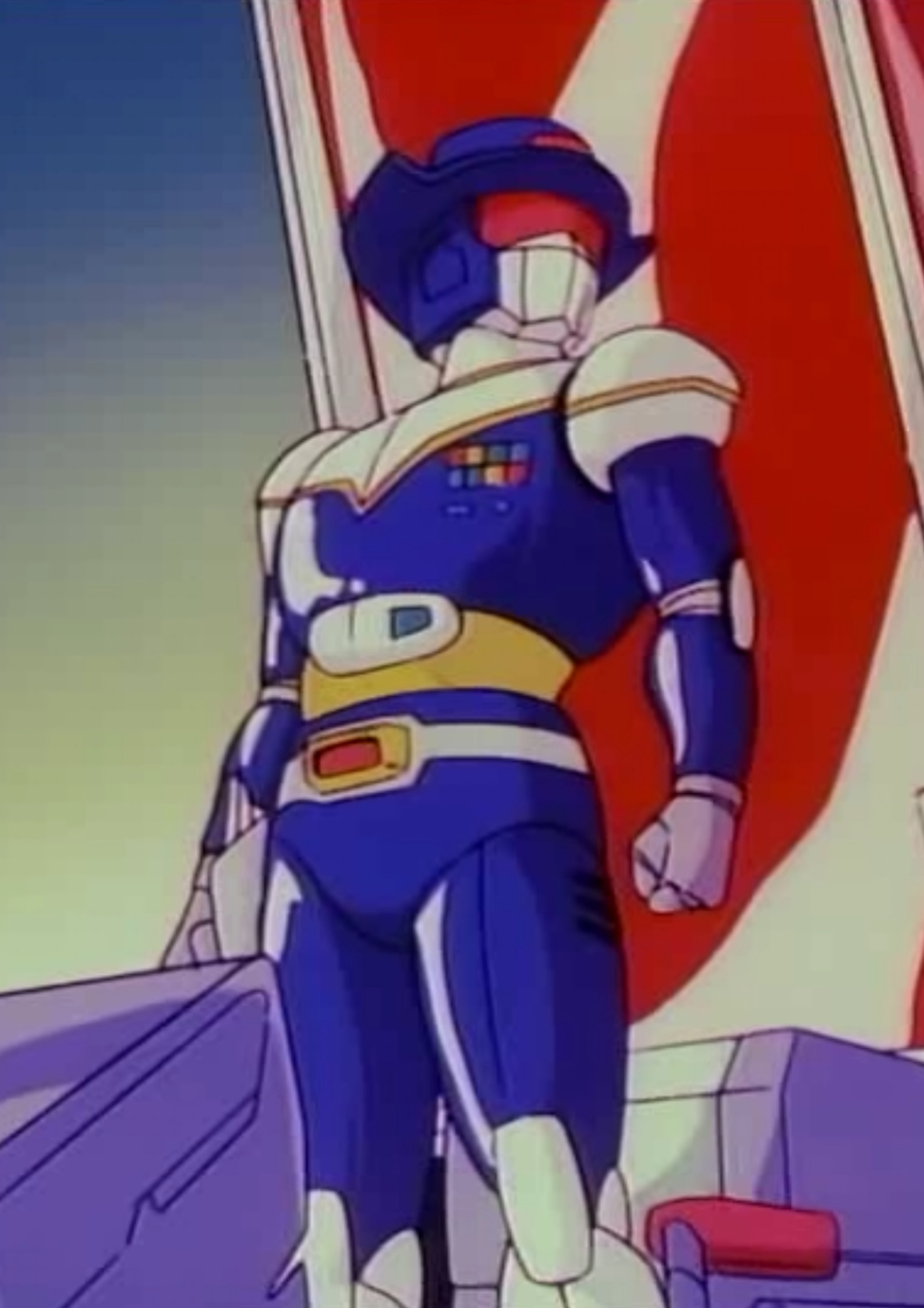
COLT

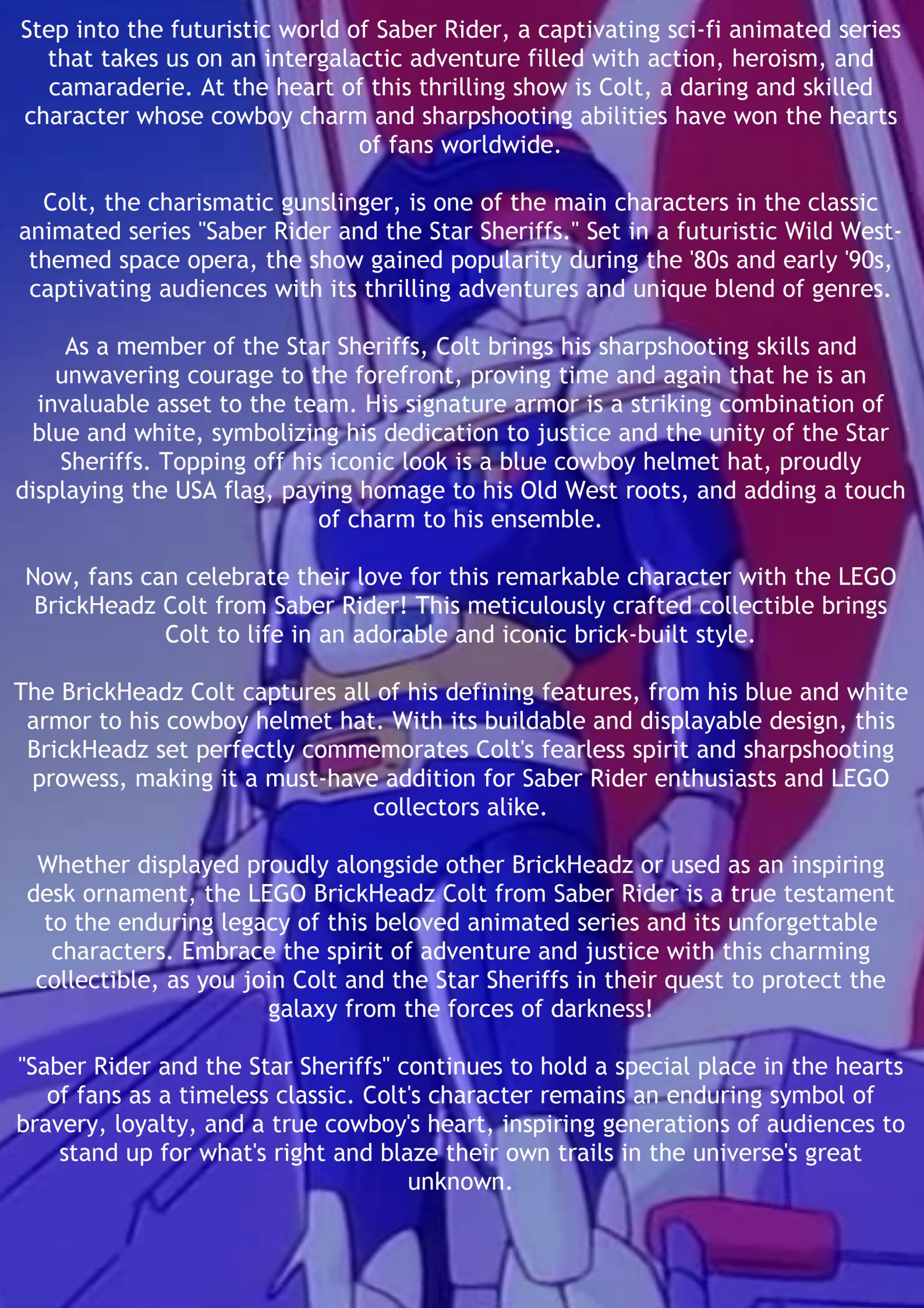
FROM SABER RIDER

Model instructions by Bird Brick Builds
Author: Eduardo Sousa



153 Parts





Step into the futuristic world of Saber Rider, a captivating sci-fi animated series that takes us on an intergalactic adventure filled with action, heroism, and camaraderie. At the heart of this thrilling show is Colt, a daring and skilled character whose cowboy charm and sharpshooting abilities have won the hearts of fans worldwide.

Colt, the charismatic gunslinger, is one of the main characters in the classic animated series "Saber Rider and the Star Sheriffs." Set in a futuristic Wild West-themed space opera, the show gained popularity during the '80s and early '90s, captivating audiences with its thrilling adventures and unique blend of genres.

As a member of the Star Sheriffs, Colt brings his sharpshooting skills and unwavering courage to the forefront, proving time and again that he is an invaluable asset to the team. His signature armor is a striking combination of blue and white, symbolizing his dedication to justice and the unity of the Star Sheriffs. Topping off his iconic look is a blue cowboy helmet hat, proudly displaying the USA flag, paying homage to his Old West roots, and adding a touch of charm to his ensemble.

Now, fans can celebrate their love for this remarkable character with the LEGO BrickHeadz Colt from Saber Rider! This meticulously crafted collectible brings Colt to life in an adorable and iconic brick-built style.

The BrickHeadz Colt captures all of his defining features, from his blue and white armor to his cowboy helmet hat. With its buildable and displayable design, this BrickHeadz set perfectly commemorates Colt's fearless spirit and sharpshooting prowess, making it a must-have addition for Saber Rider enthusiasts and LEGO collectors alike.

Whether displayed proudly alongside other BrickHeadz or used as an inspiring desk ornament, the LEGO BrickHeadz Colt from Saber Rider is a true testament to the enduring legacy of this beloved animated series and its unforgettable characters. Embrace the spirit of adventure and justice with this charming collectible, as you join Colt and the Star Sheriffs in their quest to protect the galaxy from the forces of darkness!

"Saber Rider and the Star Sheriffs" continues to hold a special place in the hearts of fans as a timeless classic. Colt's character remains an enduring symbol of bravery, loyalty, and a true cowboy's heart, inspiring generations of audiences to stand up for what's right and blaze their own trails in the universe's great unknown.



Attribution-NonCommercial-ShareAlike 4.0 International (CC BY-NC-SA 4.0)

This is a human-readable summary of (and not a substitute for) the [license](#). [Disclaimer](#).

You are free to:

Share — copy and redistribute the material in any medium or format

Adapt — remix, transform, and build upon the material

The licensor cannot revoke these freedoms as long as you follow the [license terms](#).

Under the following terms:



Attribution — You must give [appropriate credit](#), provide a link to the license, and [indicate if changes were made](#). You may do so in any reasonable manner, but not in any way that suggests the licensor endorses you or your use.



NonCommercial — You may not use the material for [commercial purposes](#).



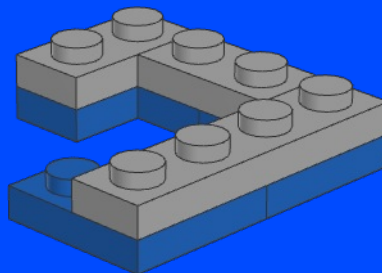
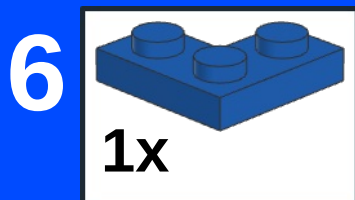
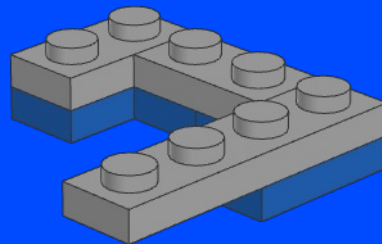
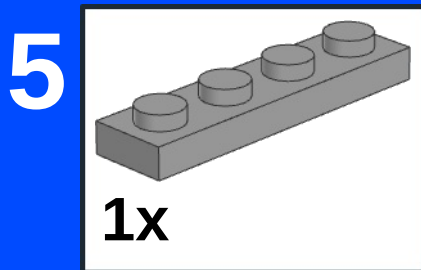
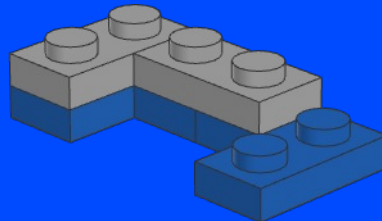
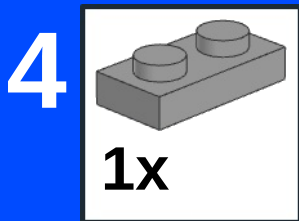
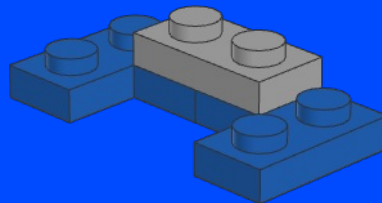
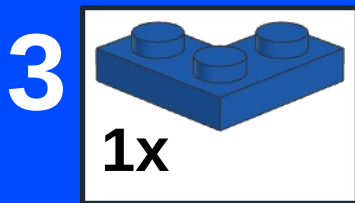
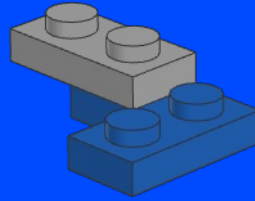
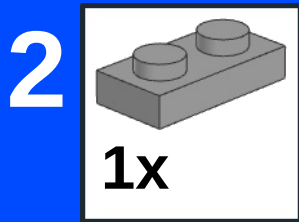
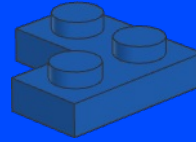
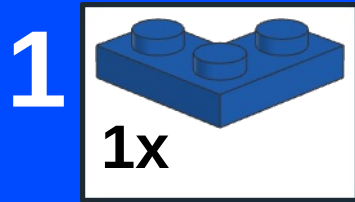
ShareAlike — If you remix, transform, or build upon the material, you must distribute your contributions under the [same license](#) as the original.

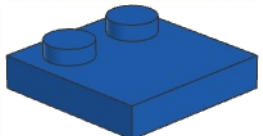
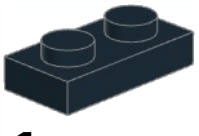
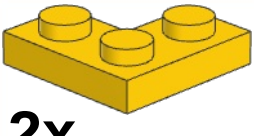
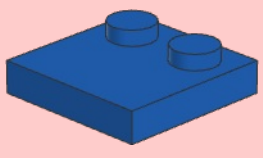
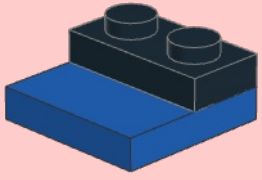
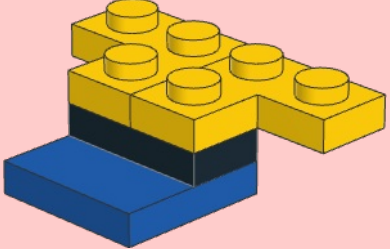
No additional restrictions — You may not apply legal terms or [technological measures](#) that legally restrict others from doing anything the license permits.

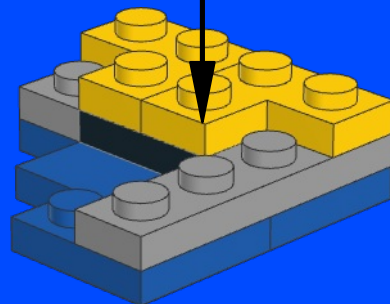
Notices:

You do not have to comply with the license for elements of the material in the public domain or where your use is permitted by an applicable [exception or limitation](#).

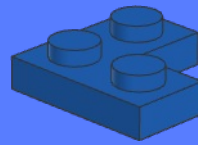
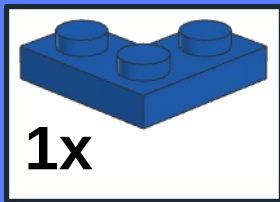
No warranties are given. The license may not give you all of the permissions necessary for your intended use. For example, other rights such as [publicity, privacy, or moral rights](#) may limit how you use the material.



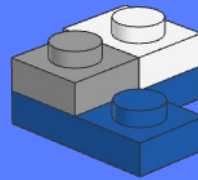
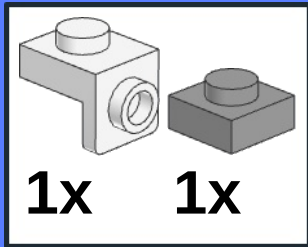
| | | |
|--|--|---|
| <p>1</p>  <p>1x</p> | <p>2</p>  <p>1x</p> | <p>3</p>  <p>2x</p> |
|  |  |  |



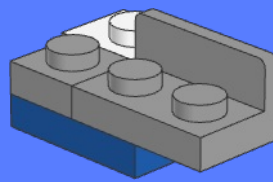
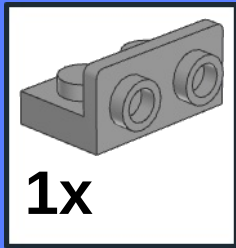
1



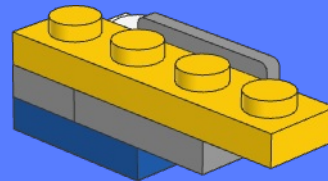
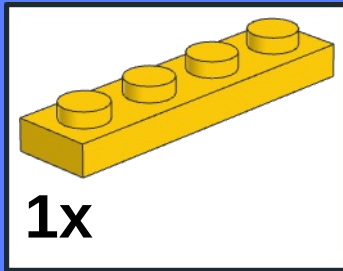
2



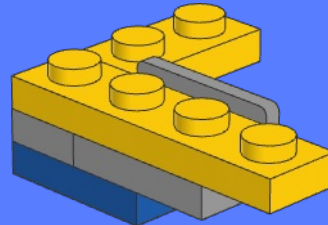
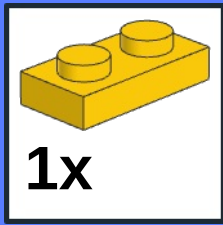
3



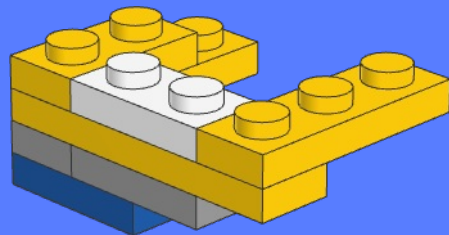
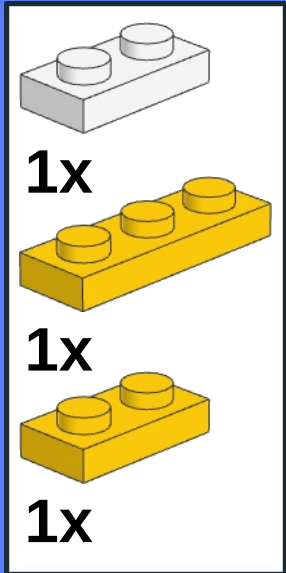
4



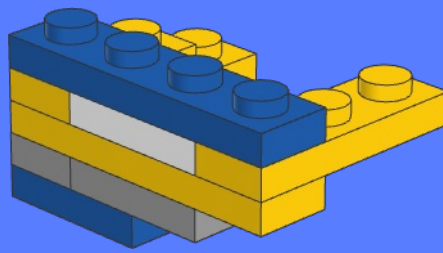
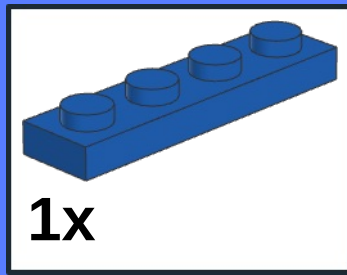
5



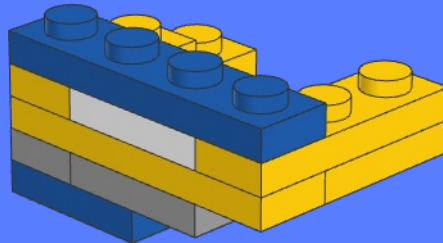
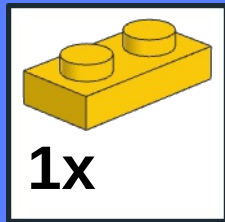
6



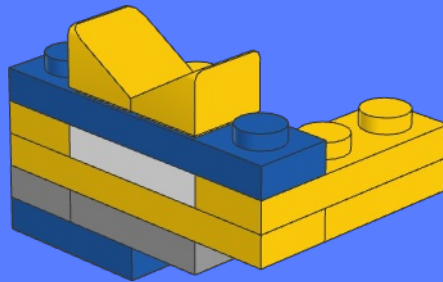
7



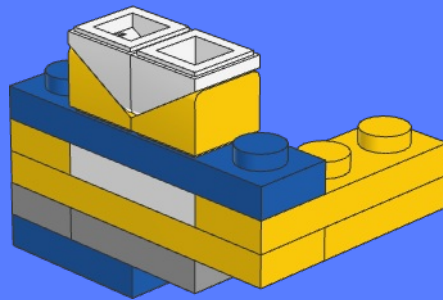
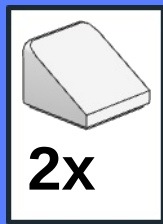
8



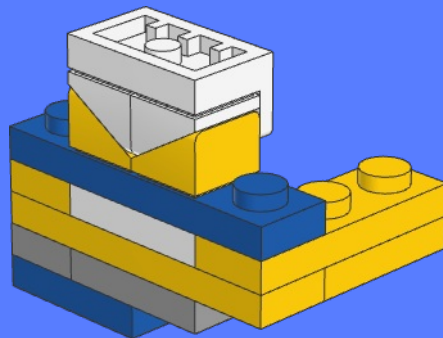
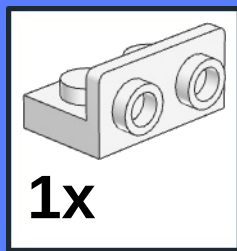
9



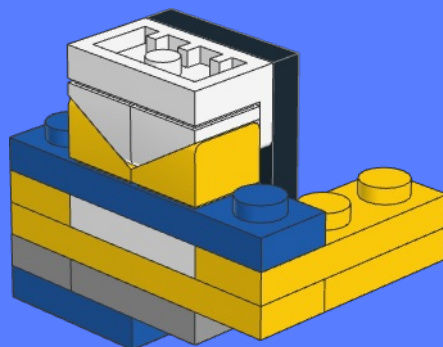
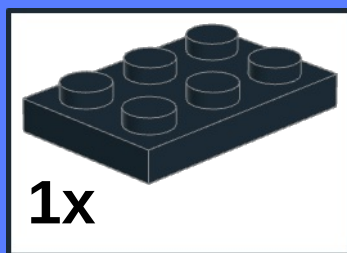
10

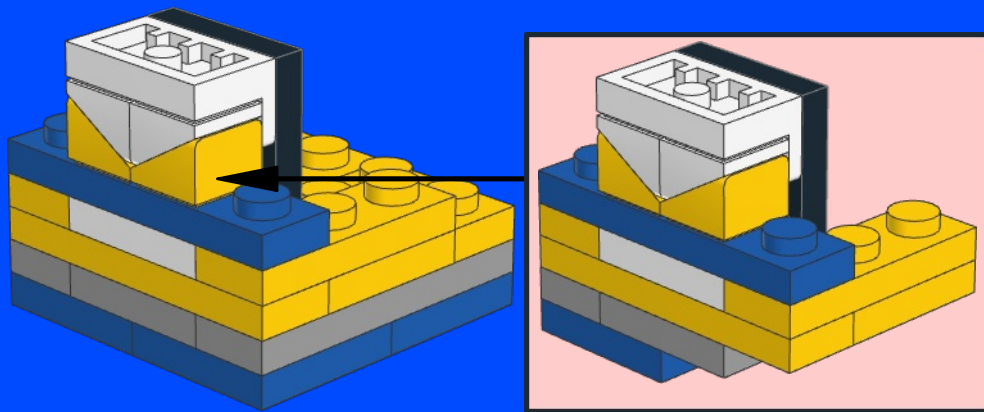


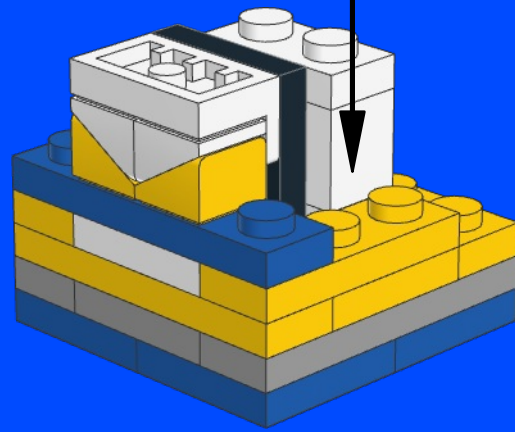
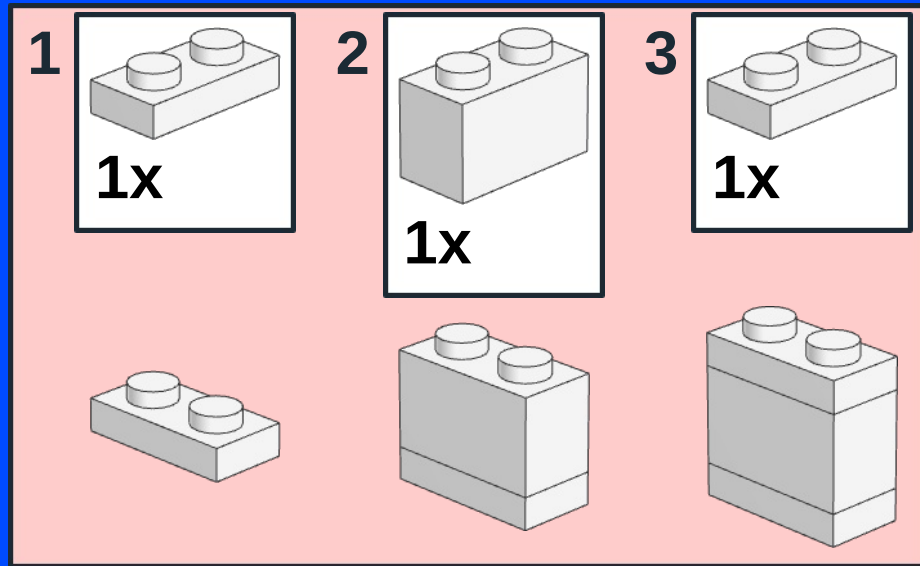
11

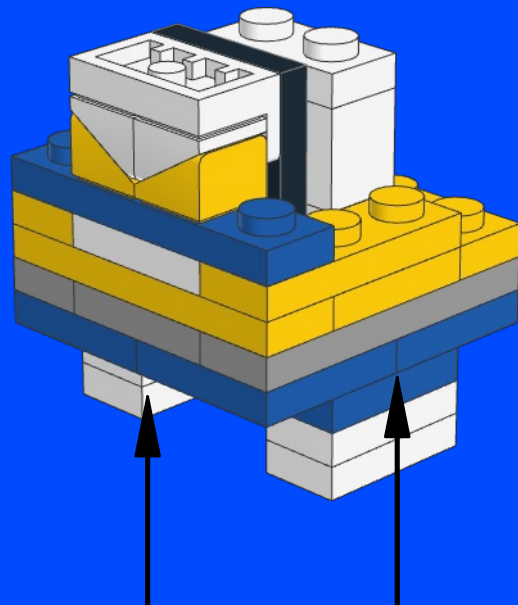


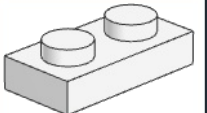
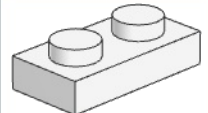
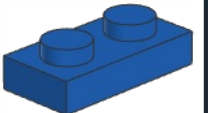
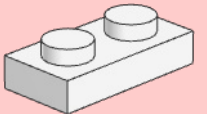
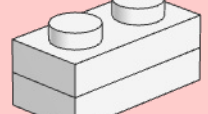
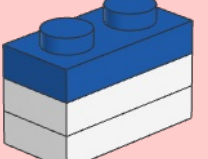
12



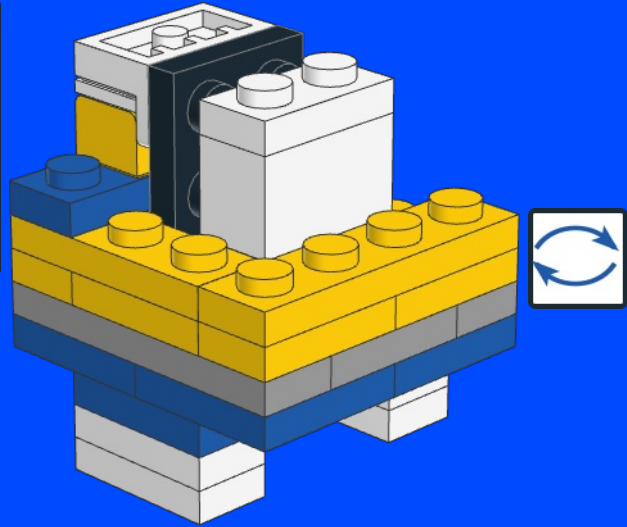
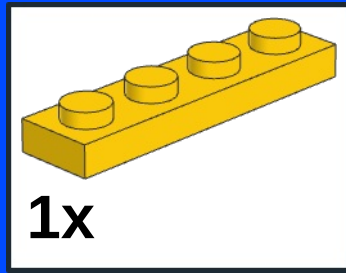




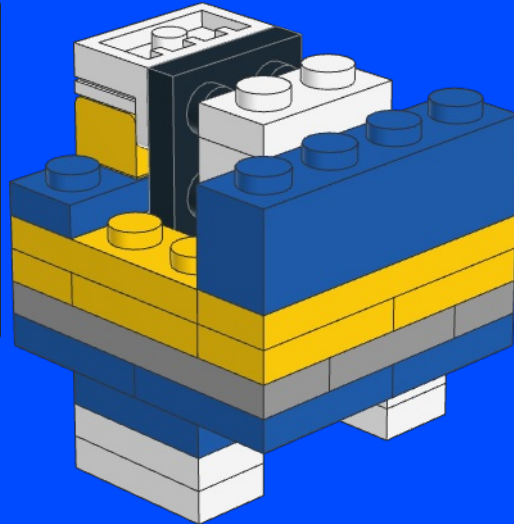
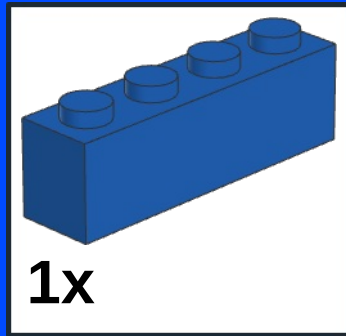


| | | |
|--|--|--|
| 1  1x | 2  1x | 3  1x |
|  |  |  x2 |

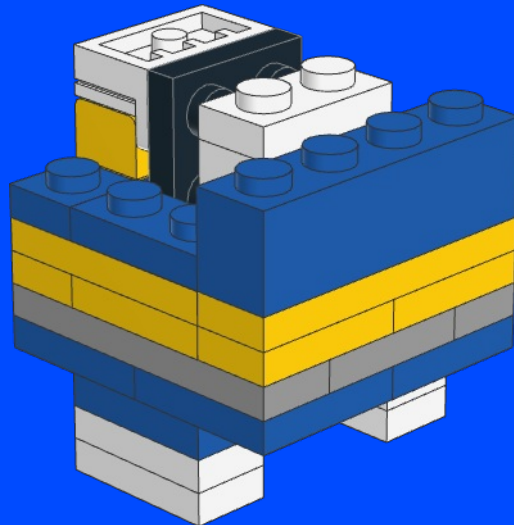
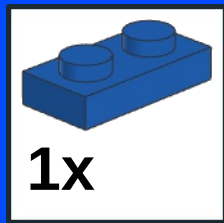
11



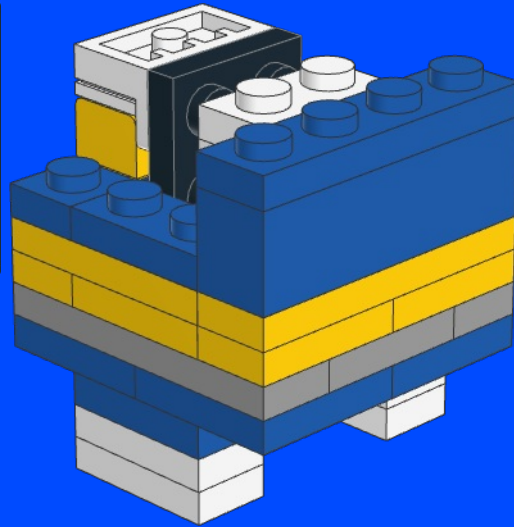
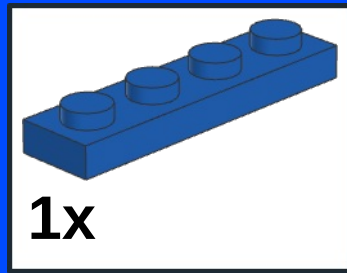
12



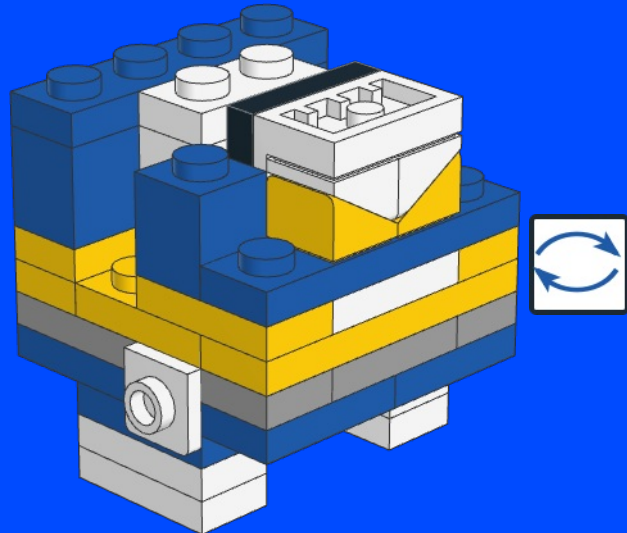
13



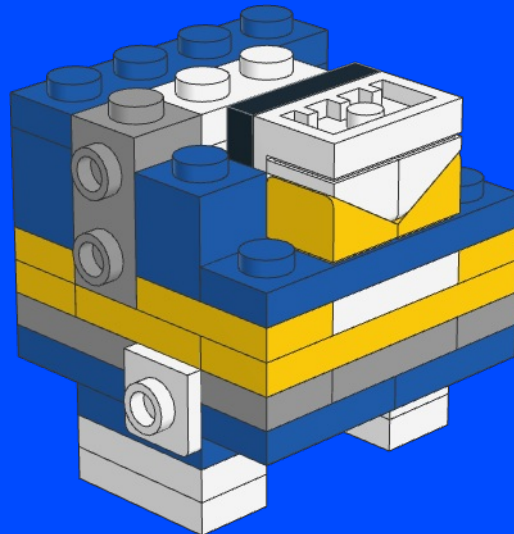
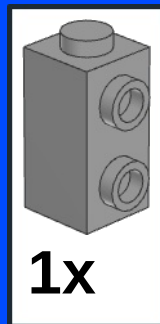
14



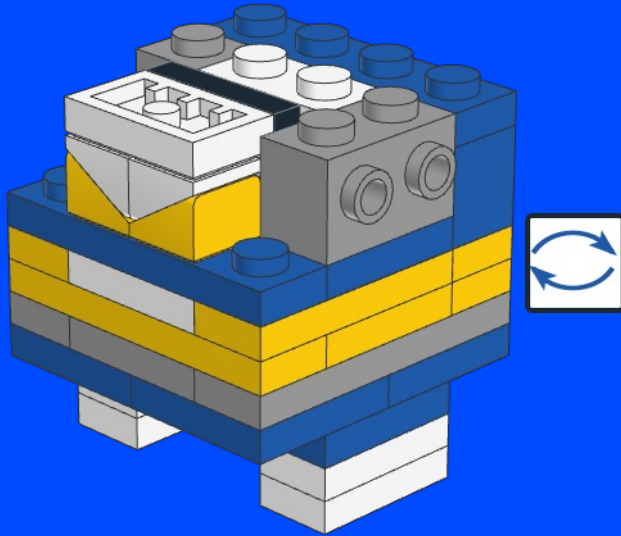
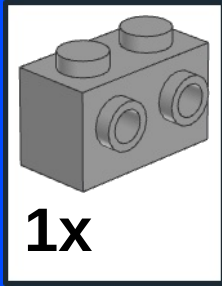
15



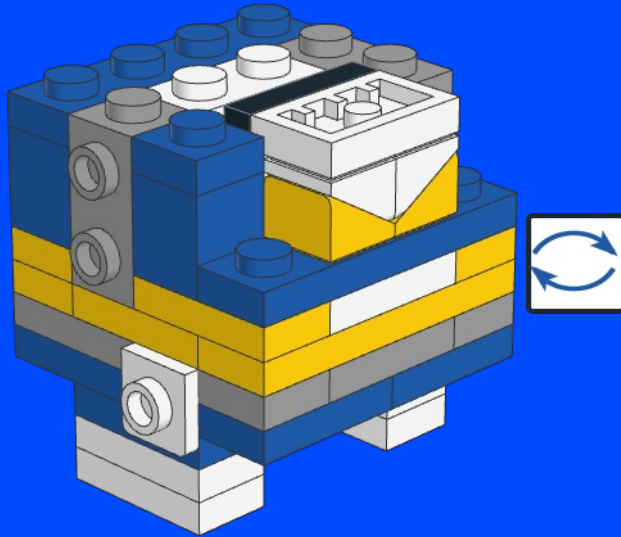
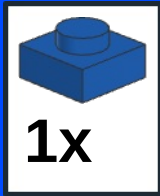
16

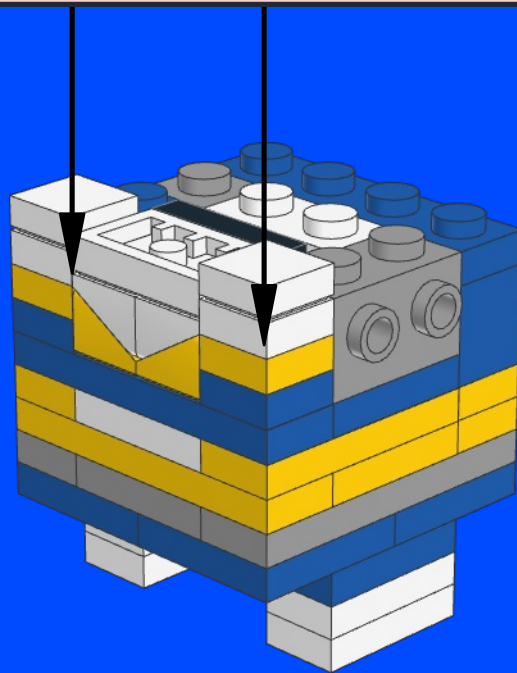
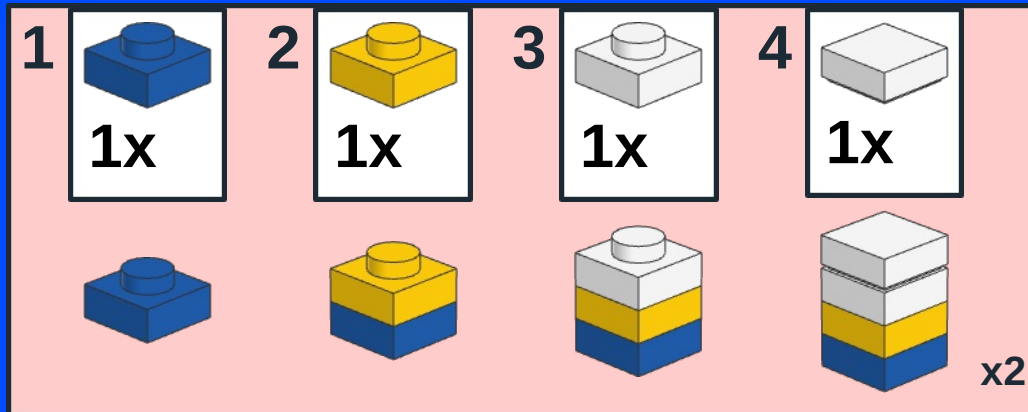


17

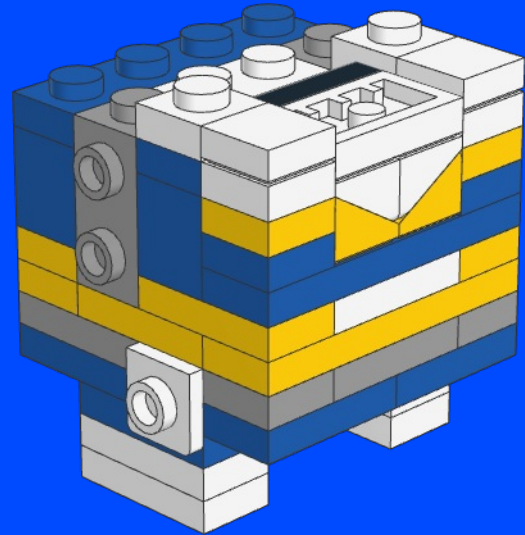
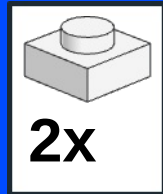


18

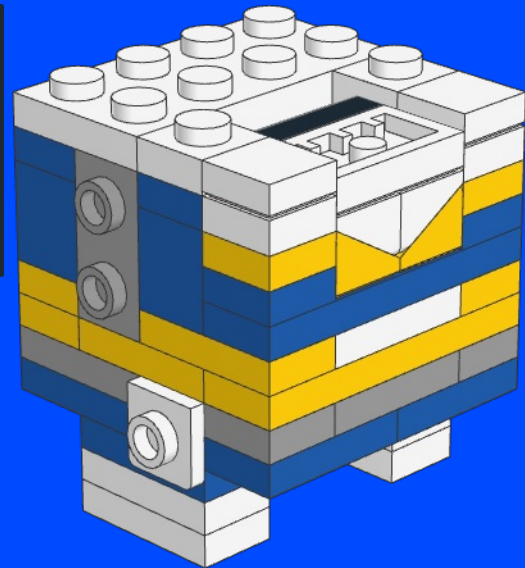
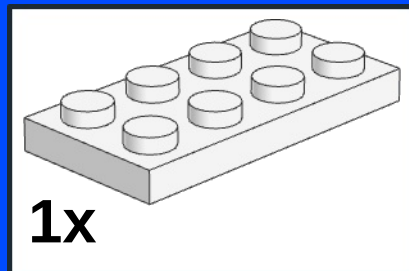




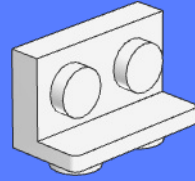
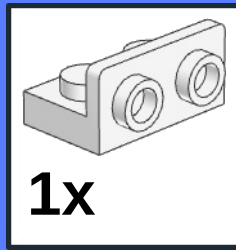
20



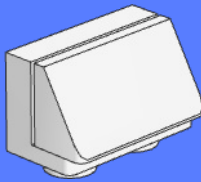
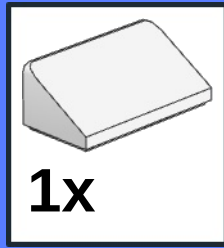
21



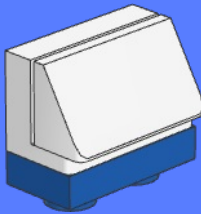
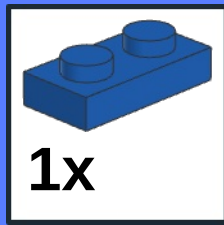
1



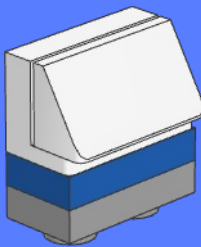
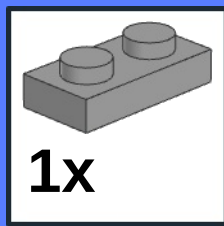
2



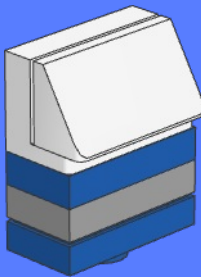
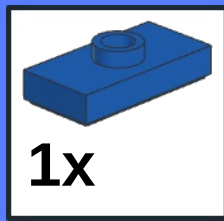
3



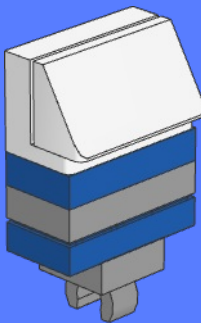
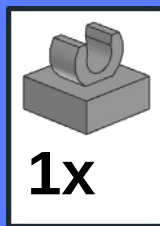
4



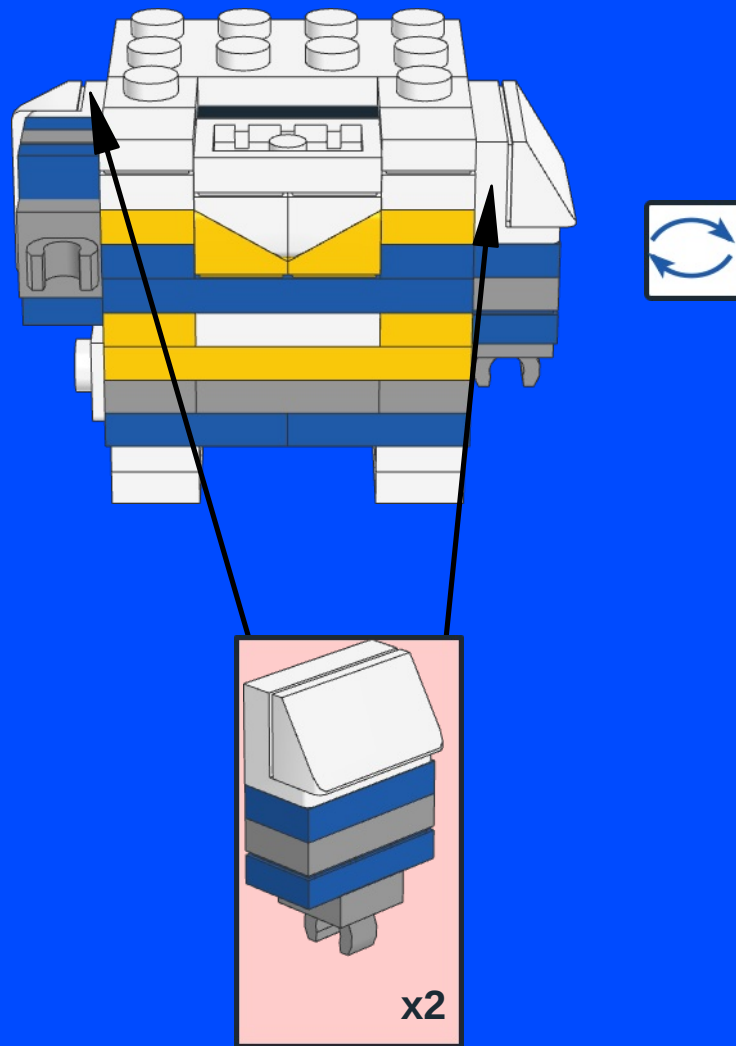
5



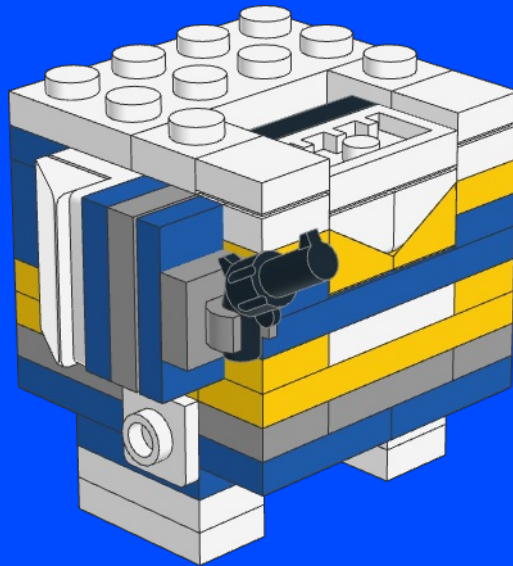
6



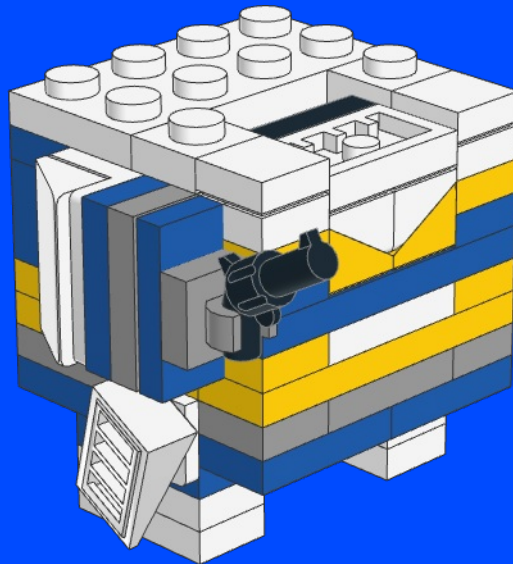
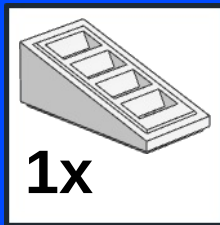
x2



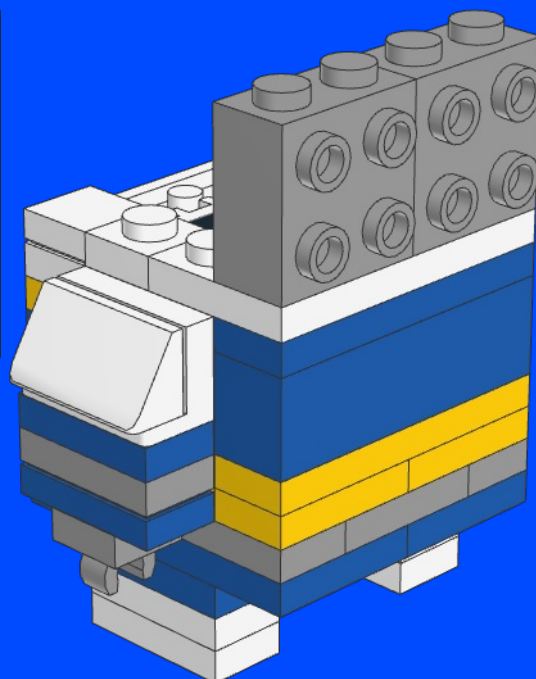
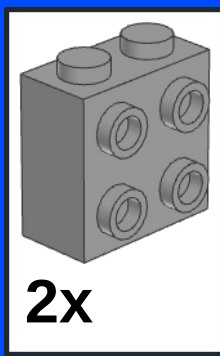
23



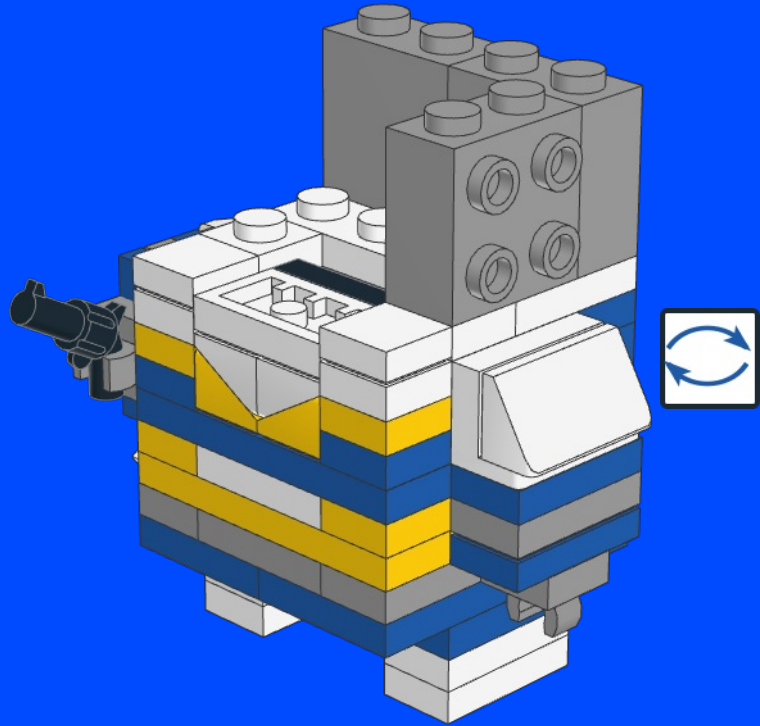
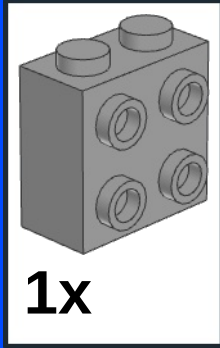
24



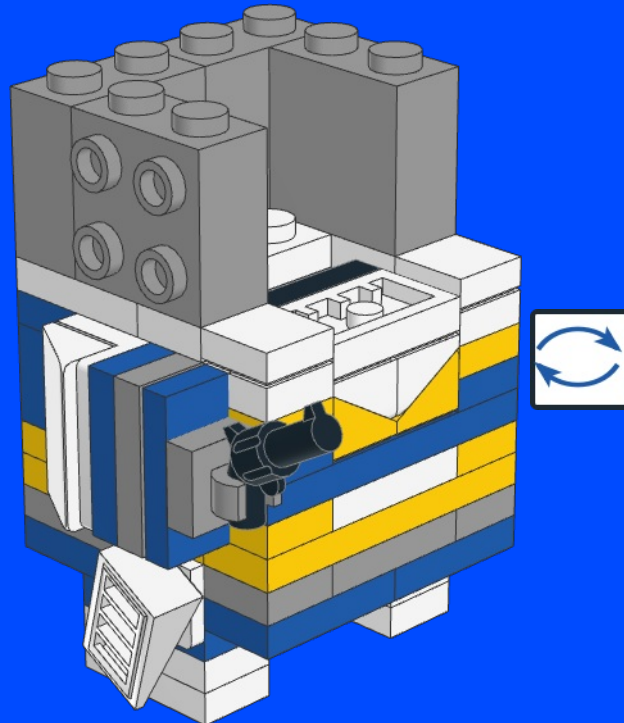
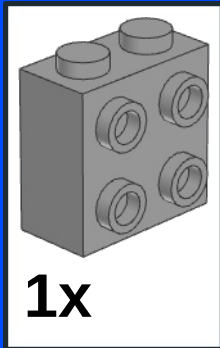
25



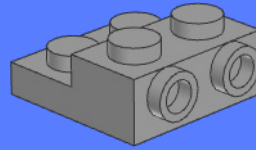
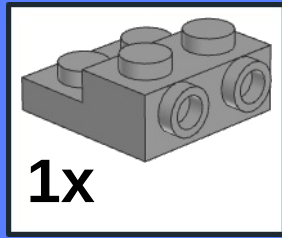
26



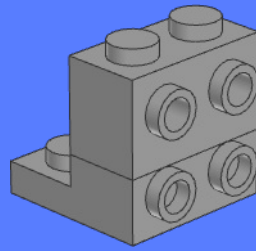
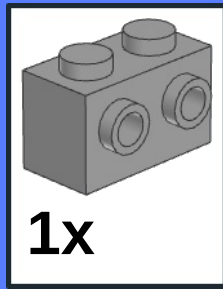
27



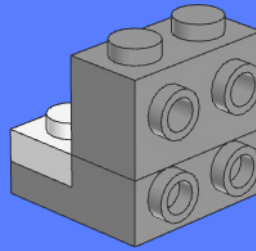
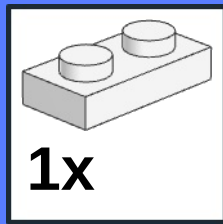
1



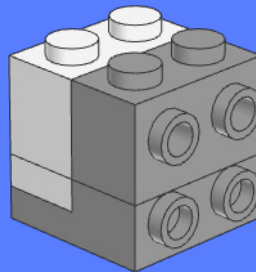
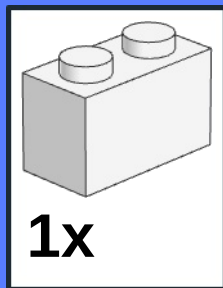
2



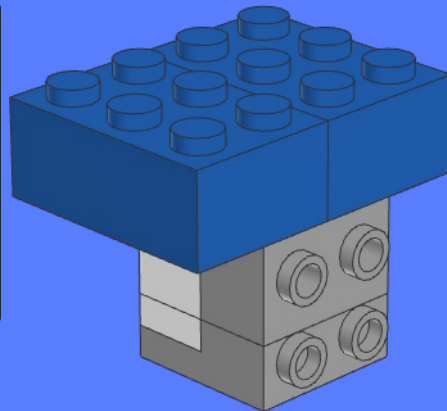
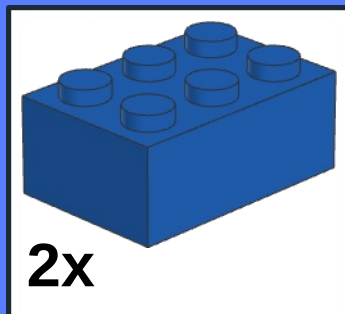
3

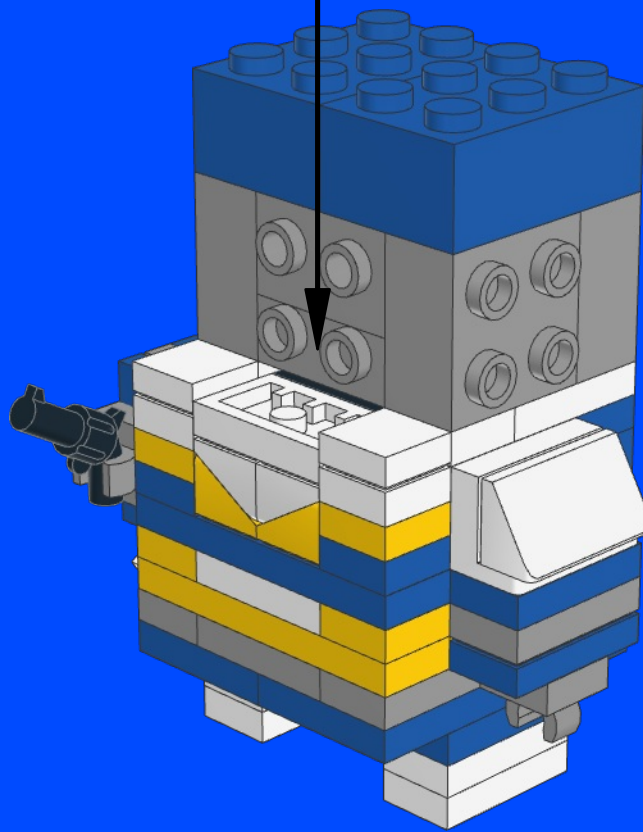
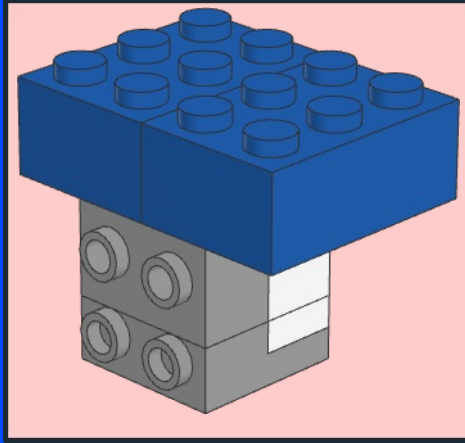


4

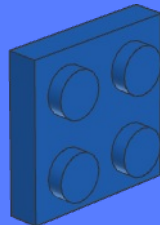
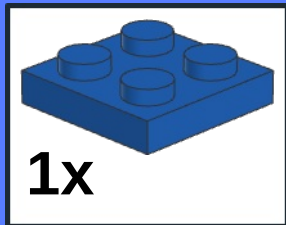


5

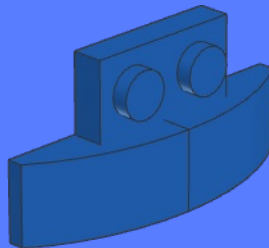
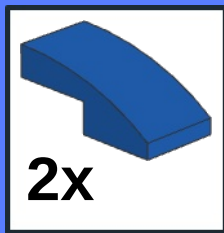




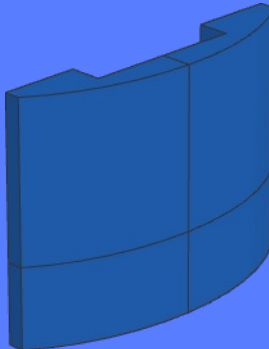
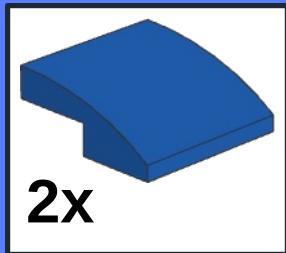
1



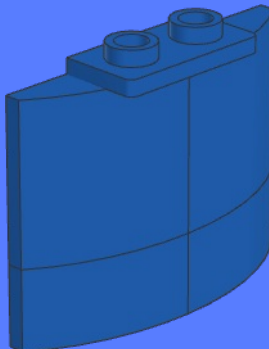
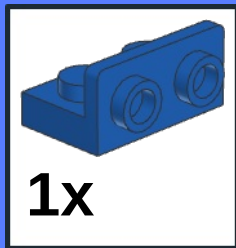
2

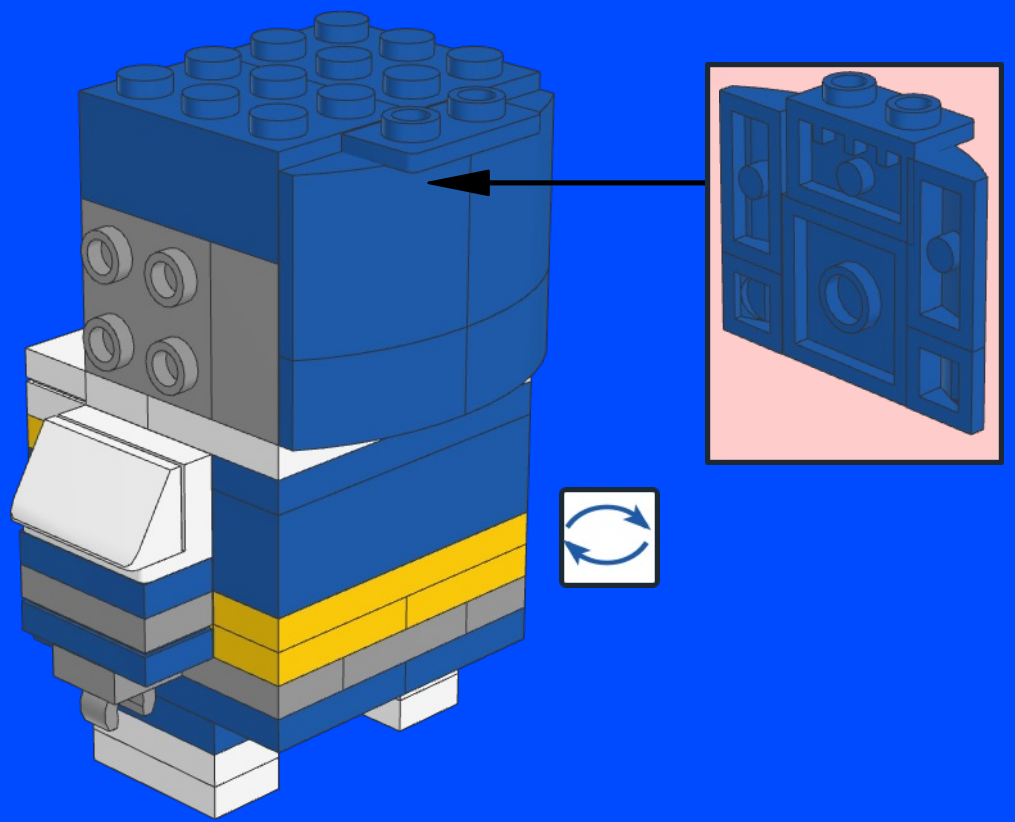


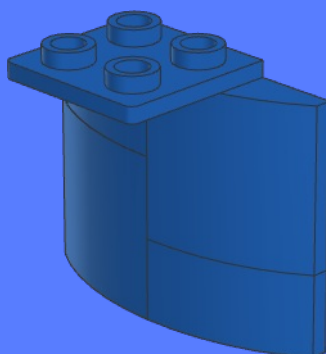
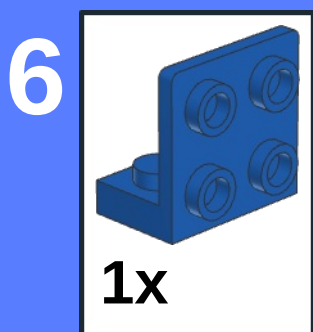
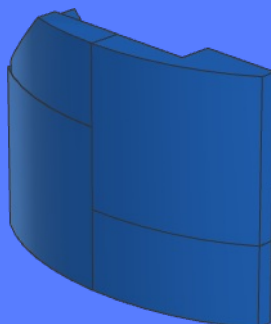
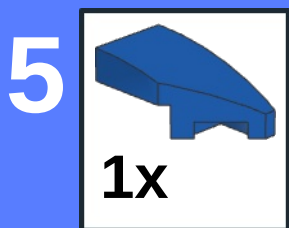
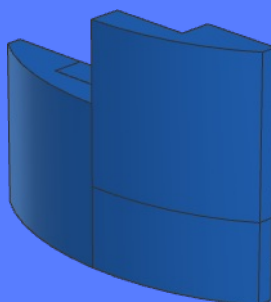
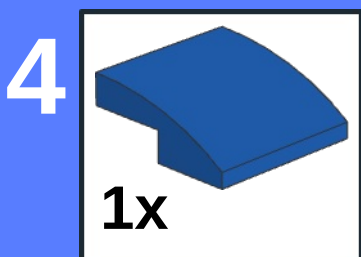
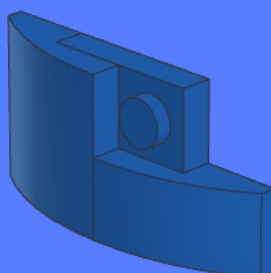
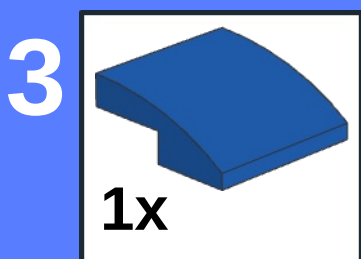
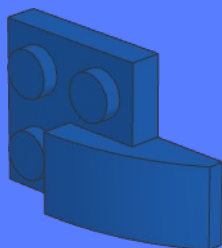
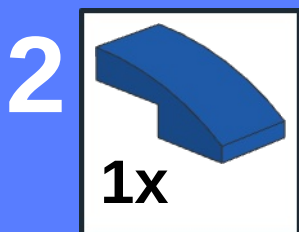
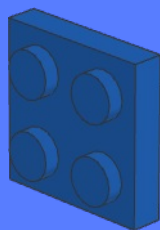
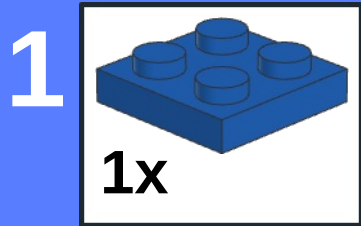
3

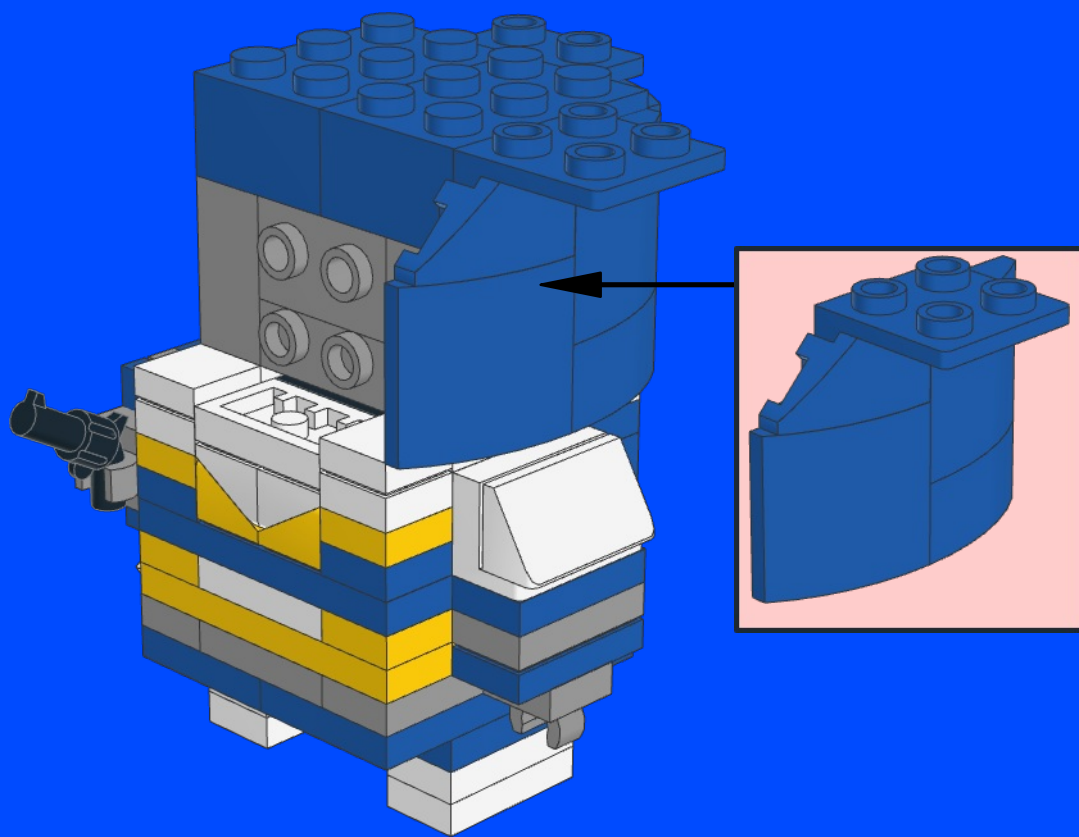


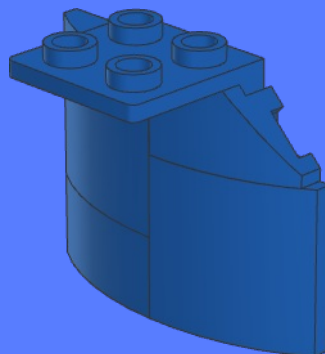
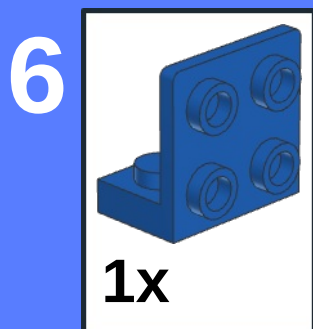
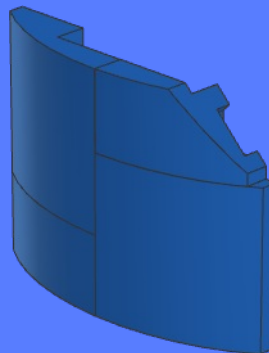
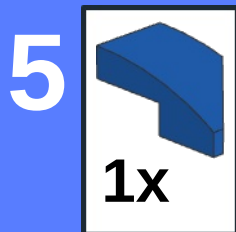
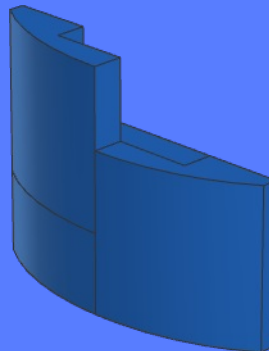
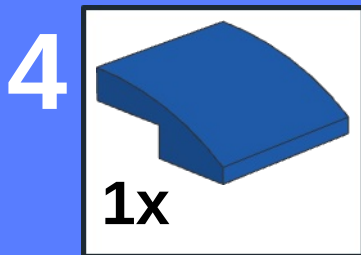
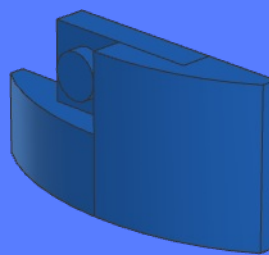
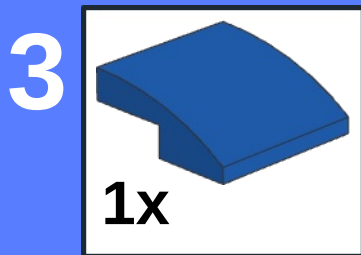
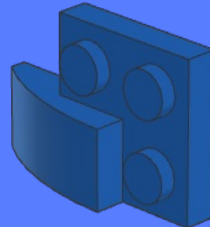
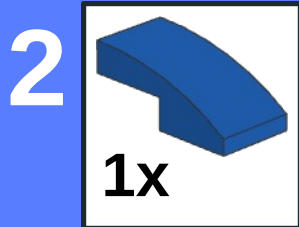
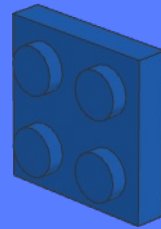
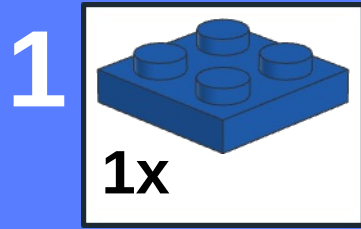
4

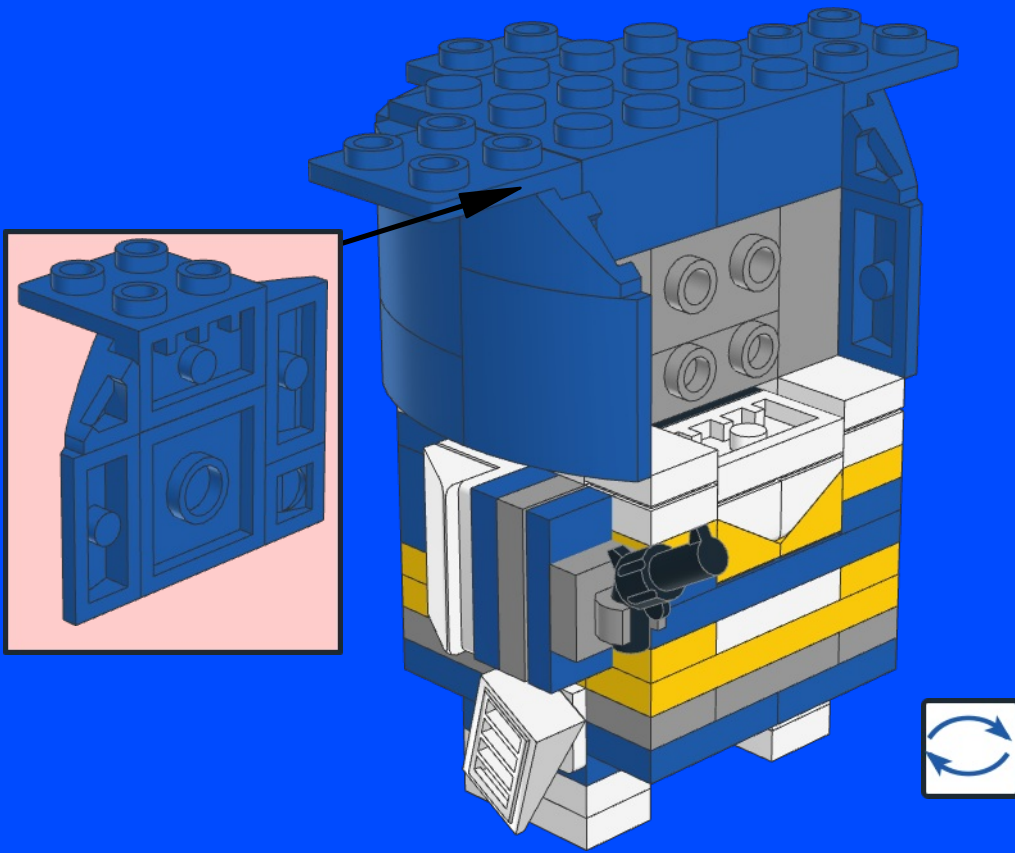




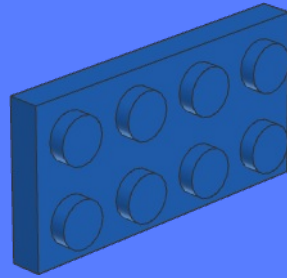
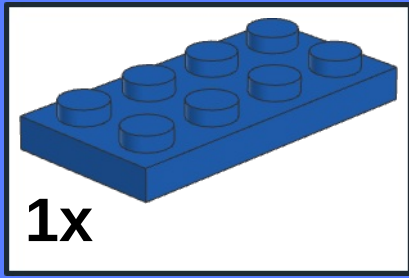




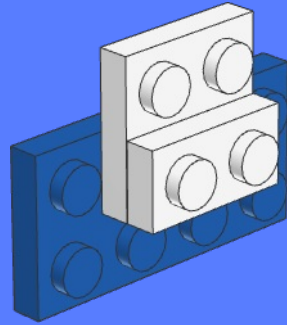
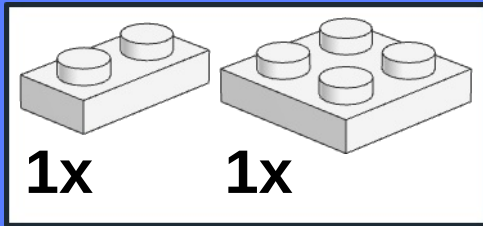




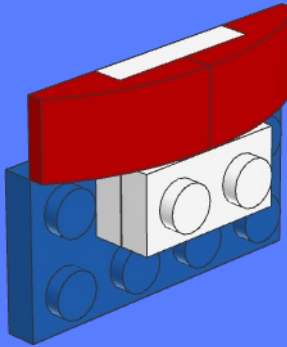
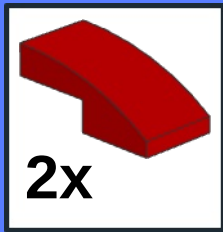
1



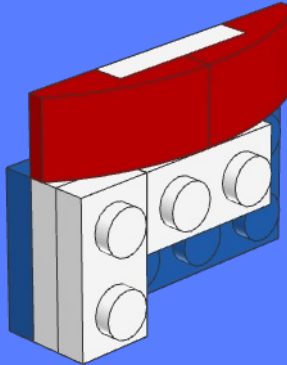
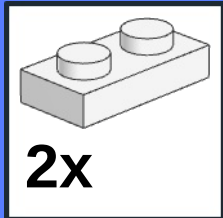
2



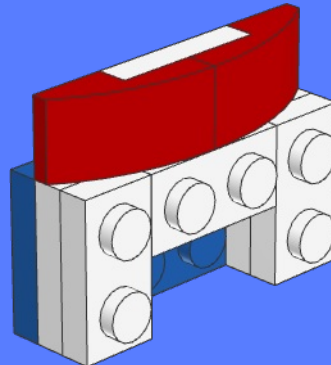
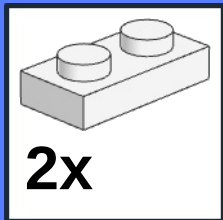
3

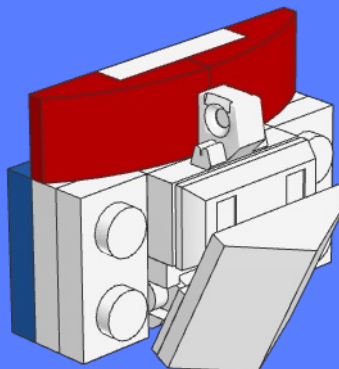
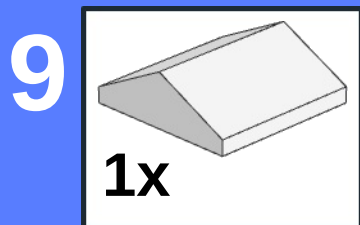
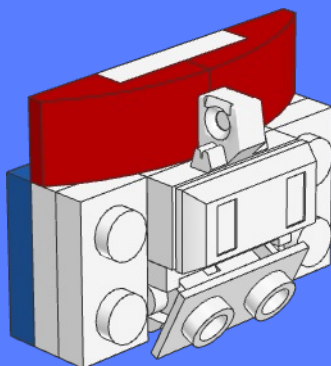
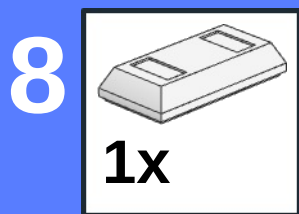
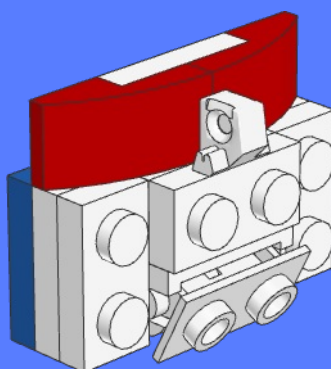
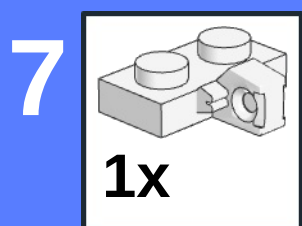
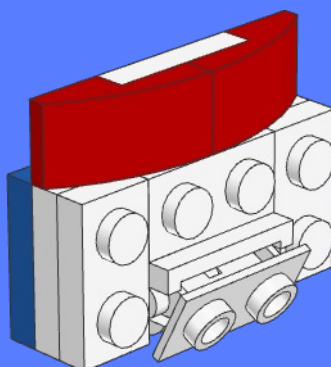
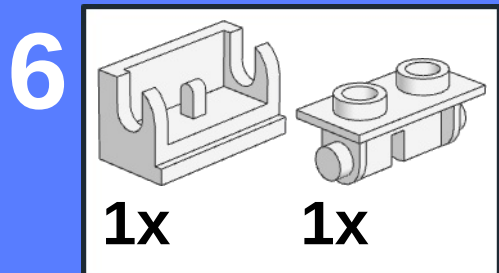


4

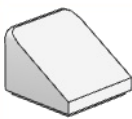


5

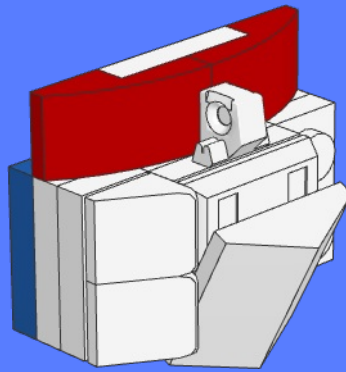




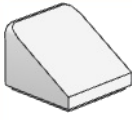
10



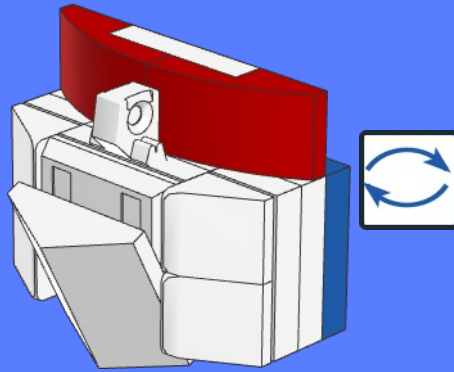
2x



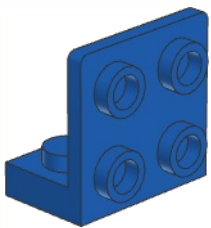
11



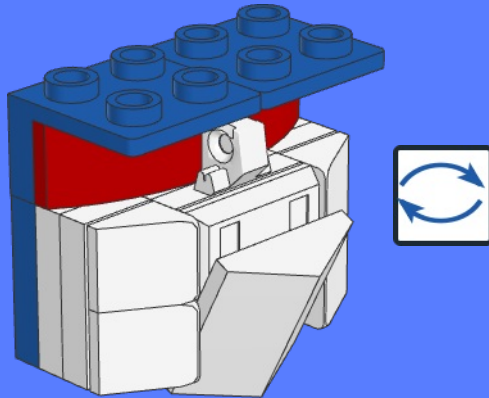
2x

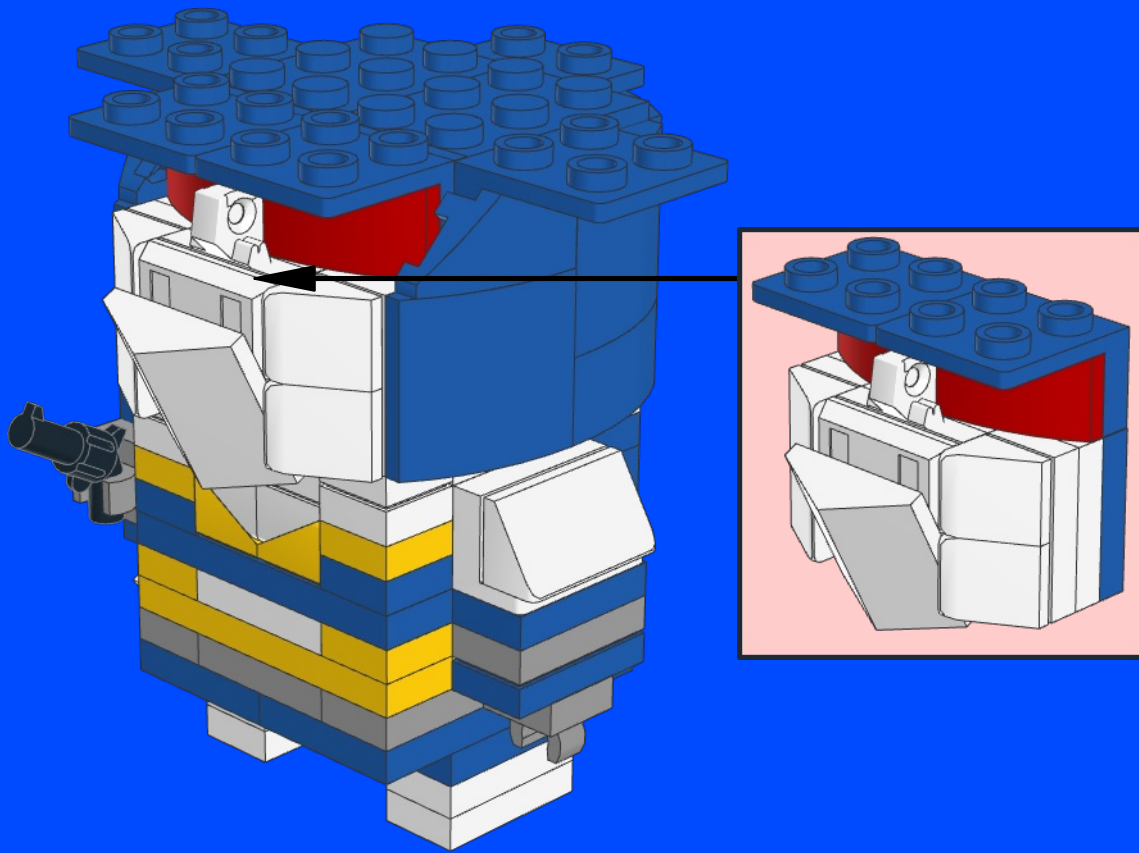


12

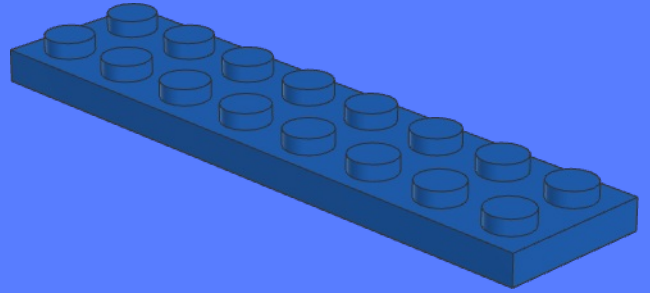
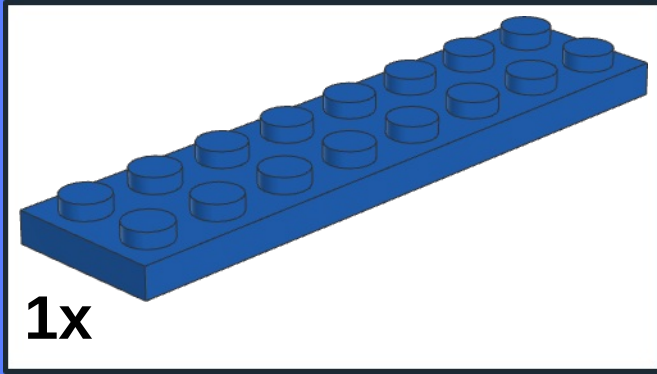


2x

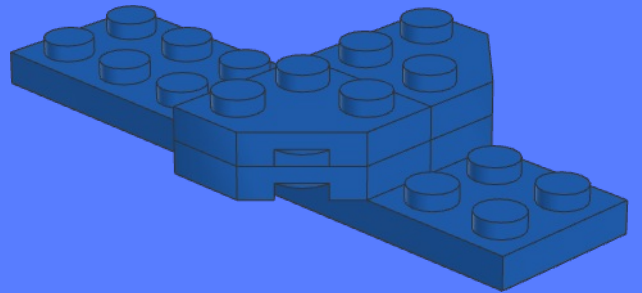
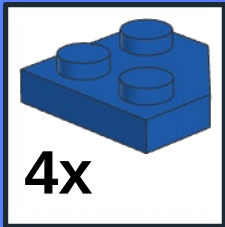




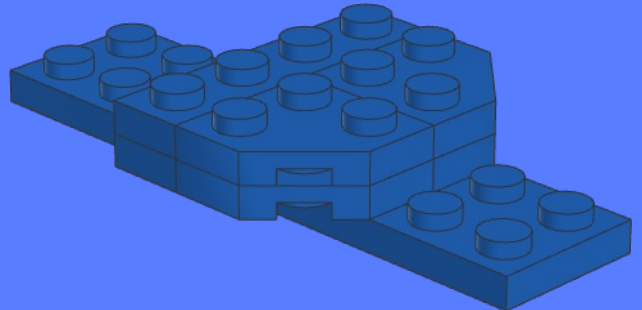
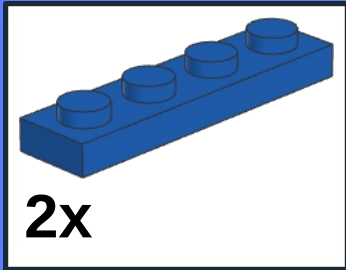
1



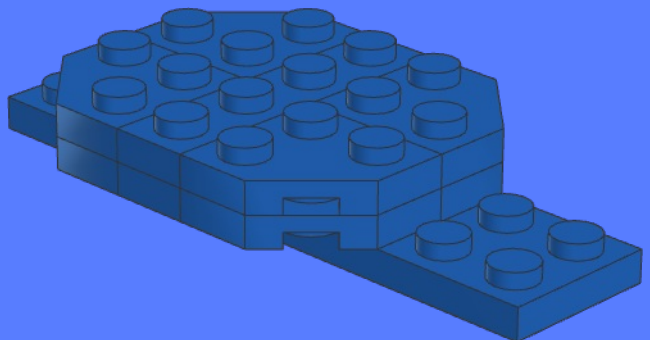
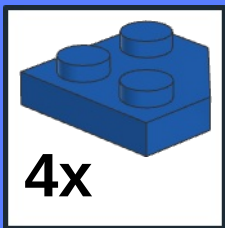
2



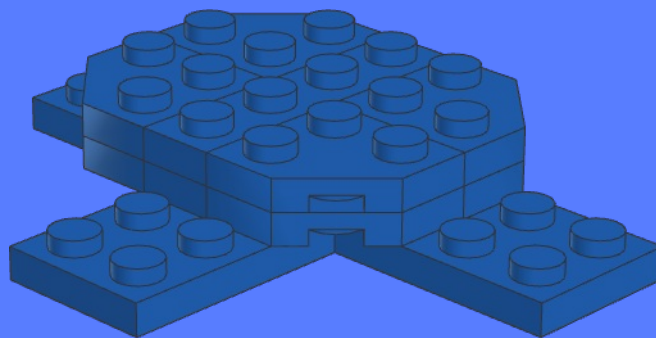
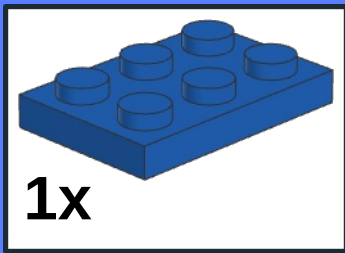
3



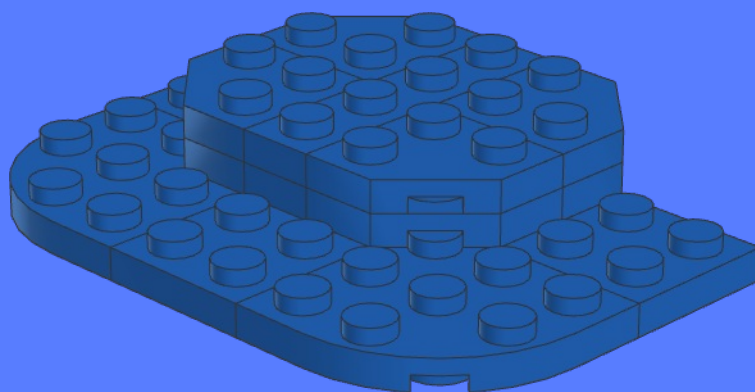
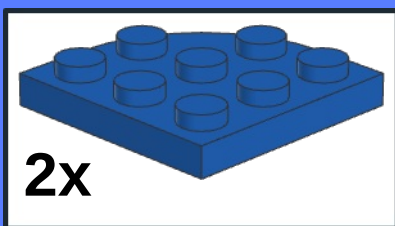
4



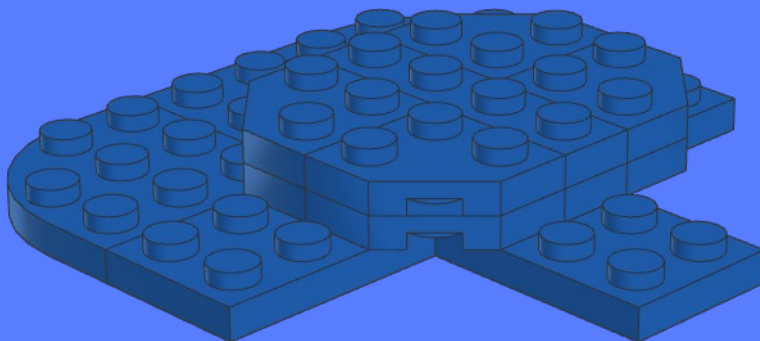
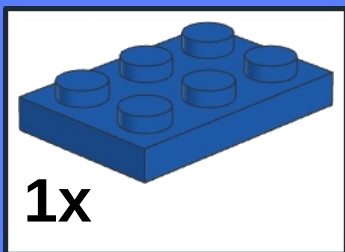
5



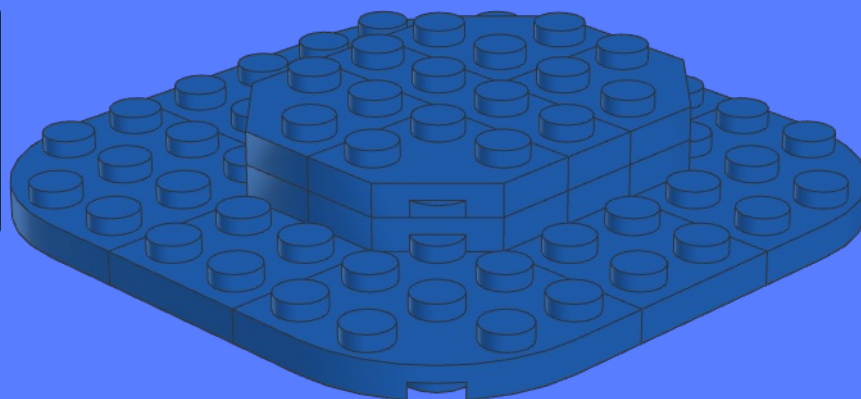
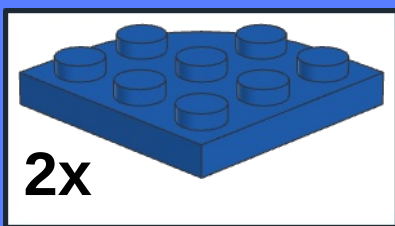
6



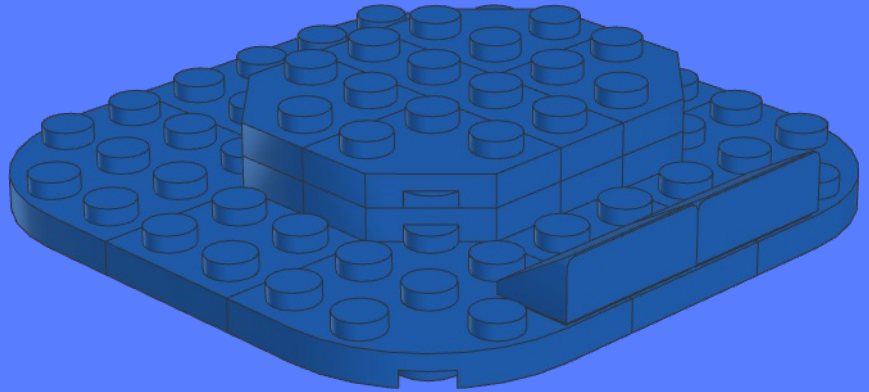
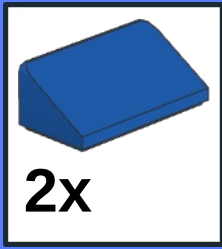
7



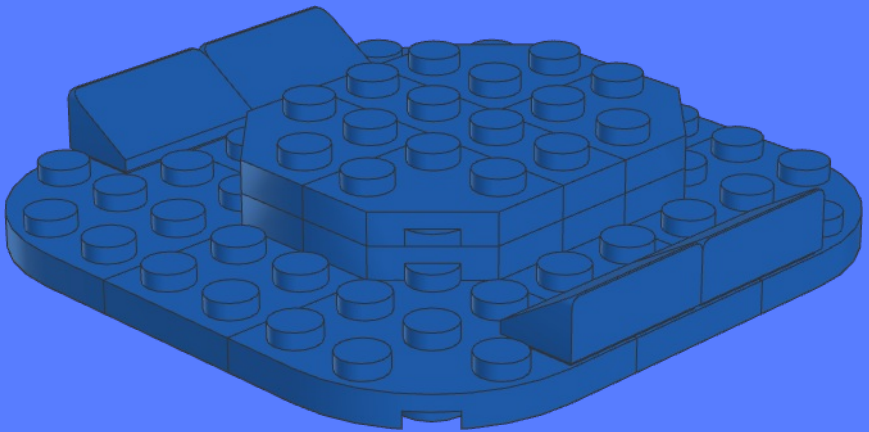
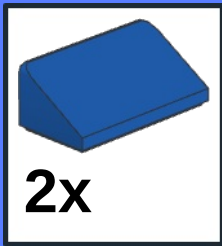
8



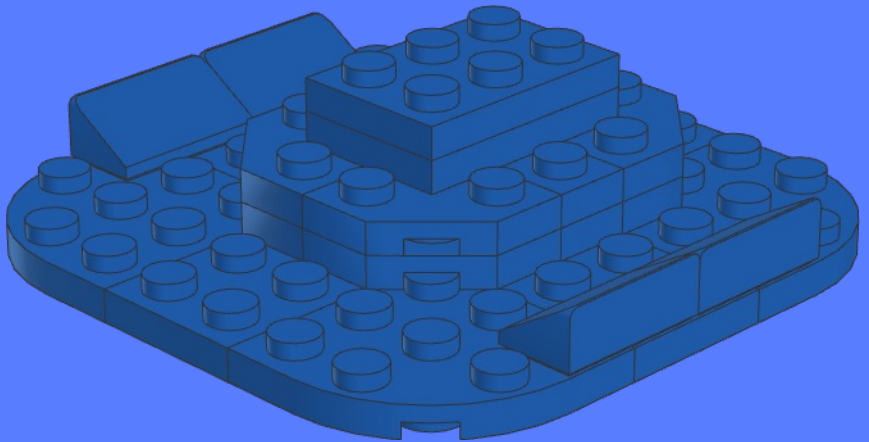
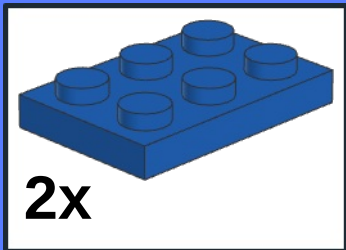
9



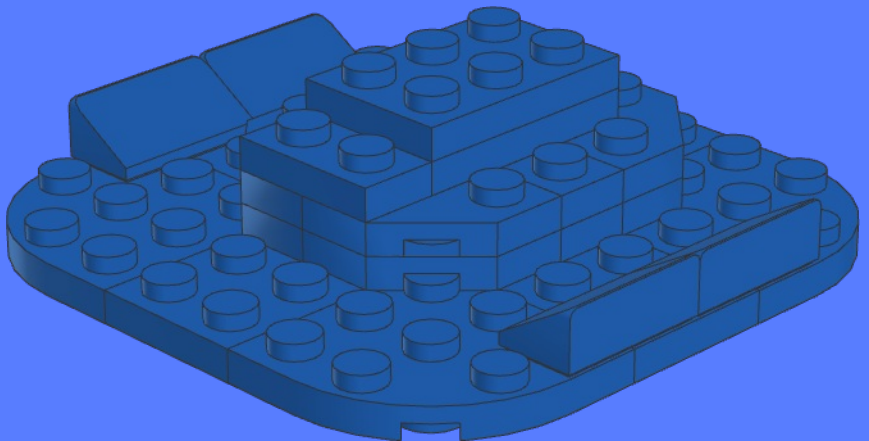
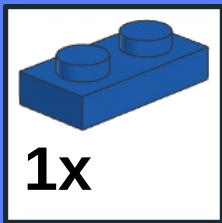
10



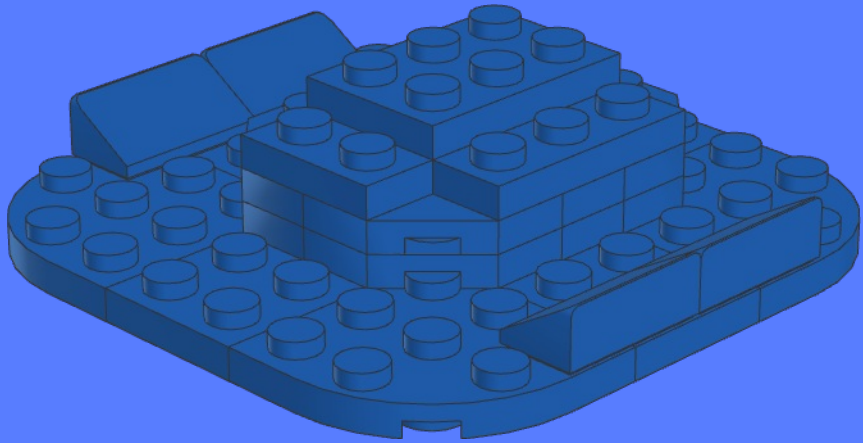
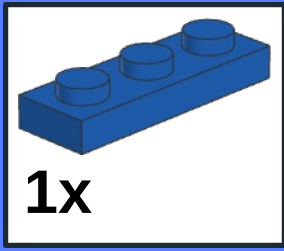
11



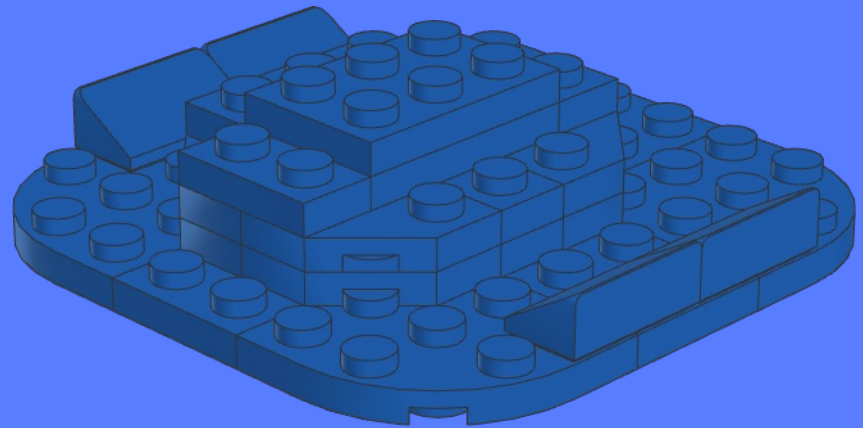
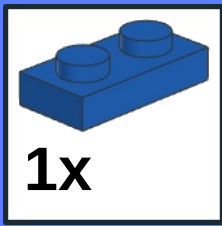
12



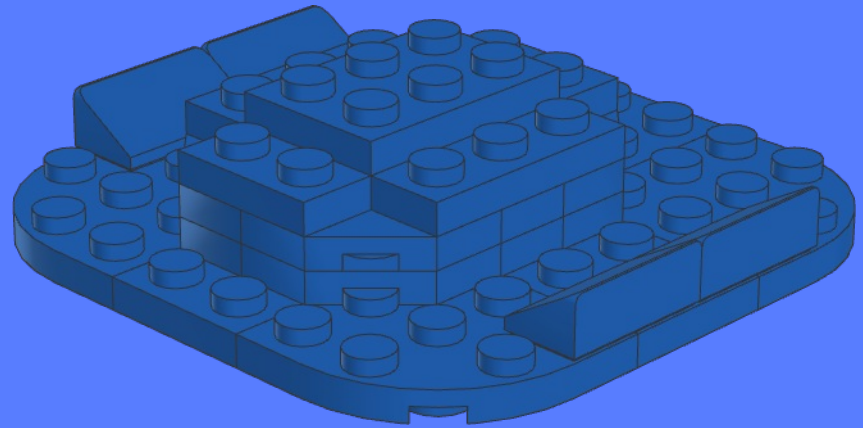
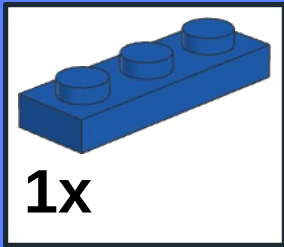
13



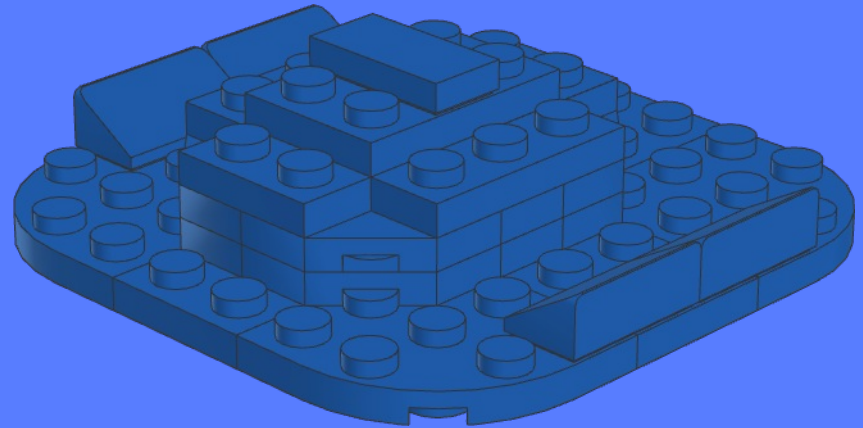
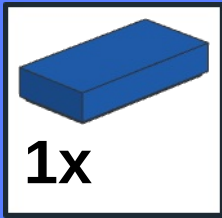
14



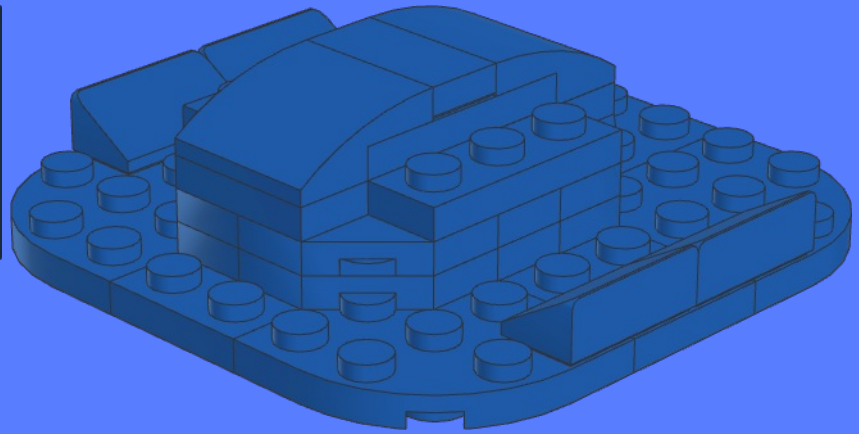
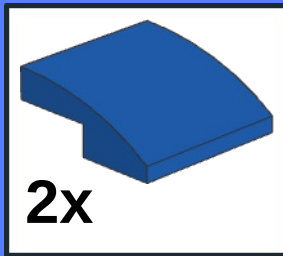
15



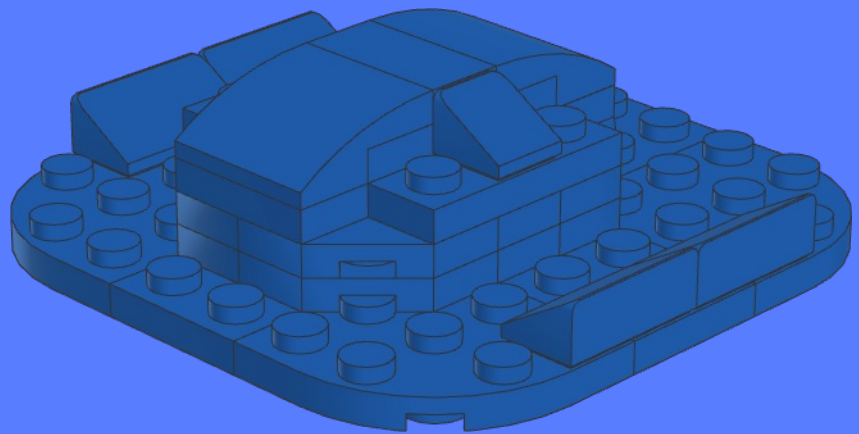
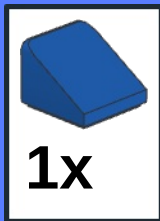
16



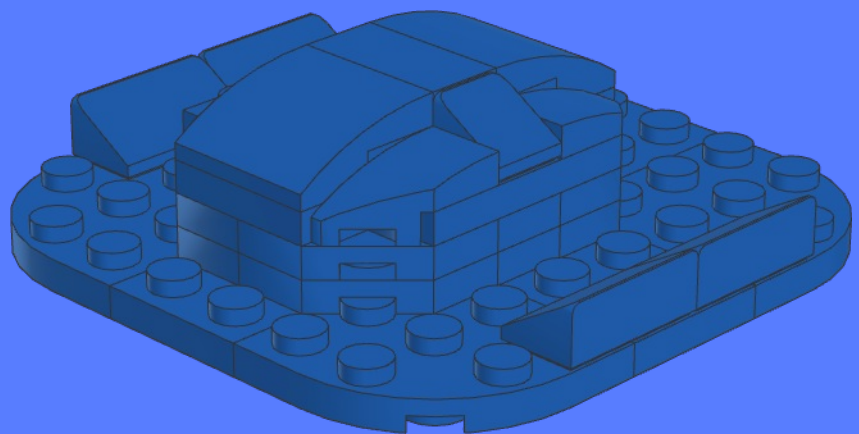
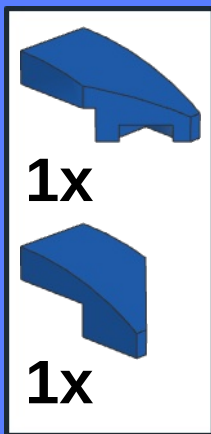
17



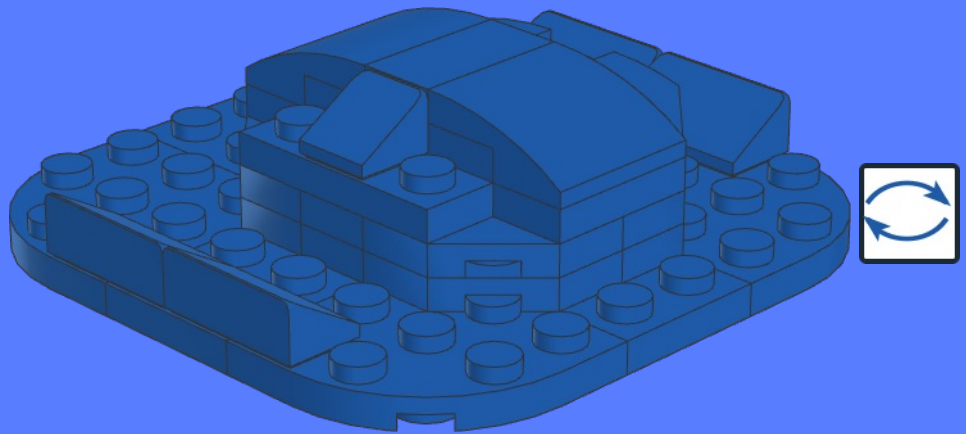
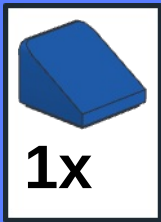
18



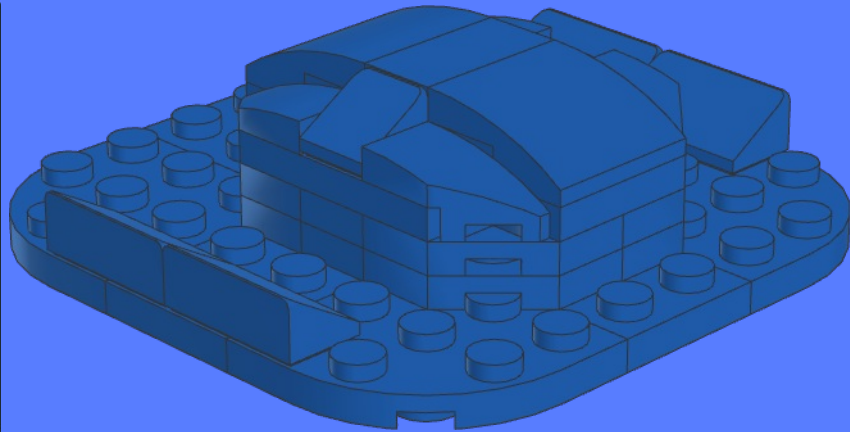
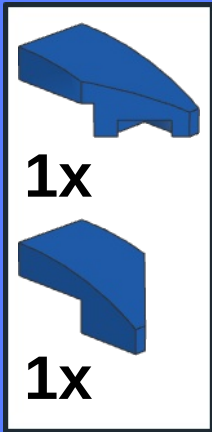
19

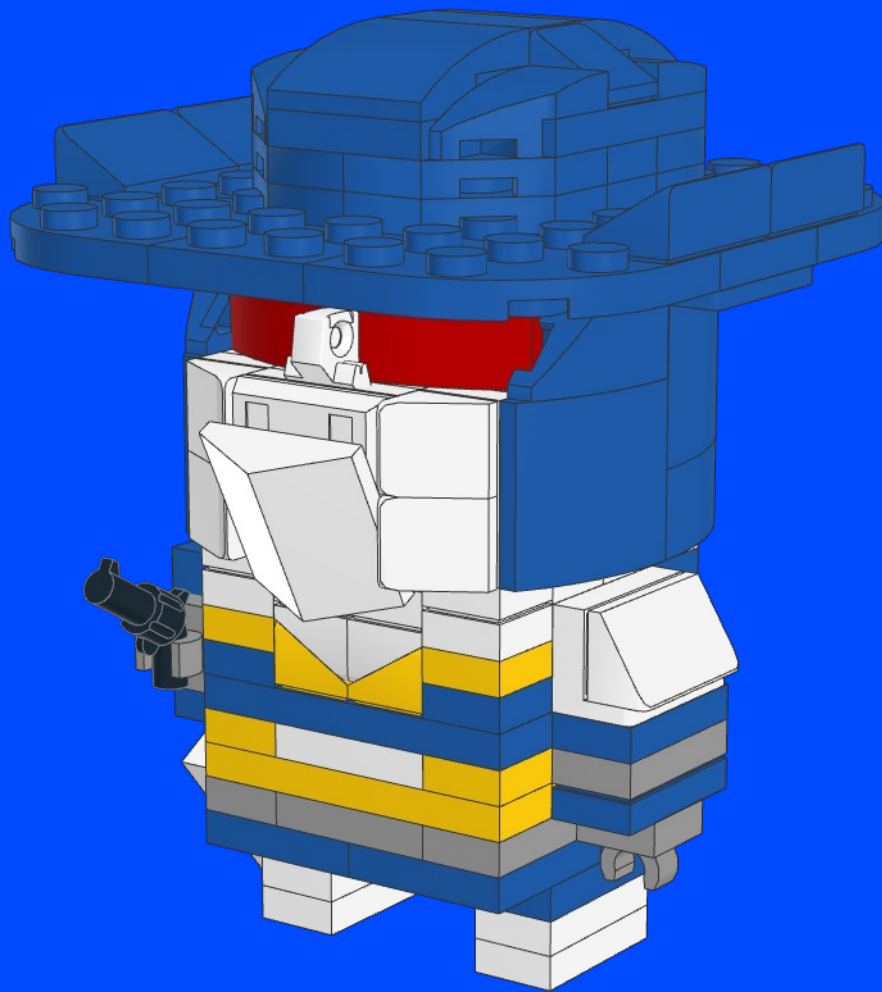


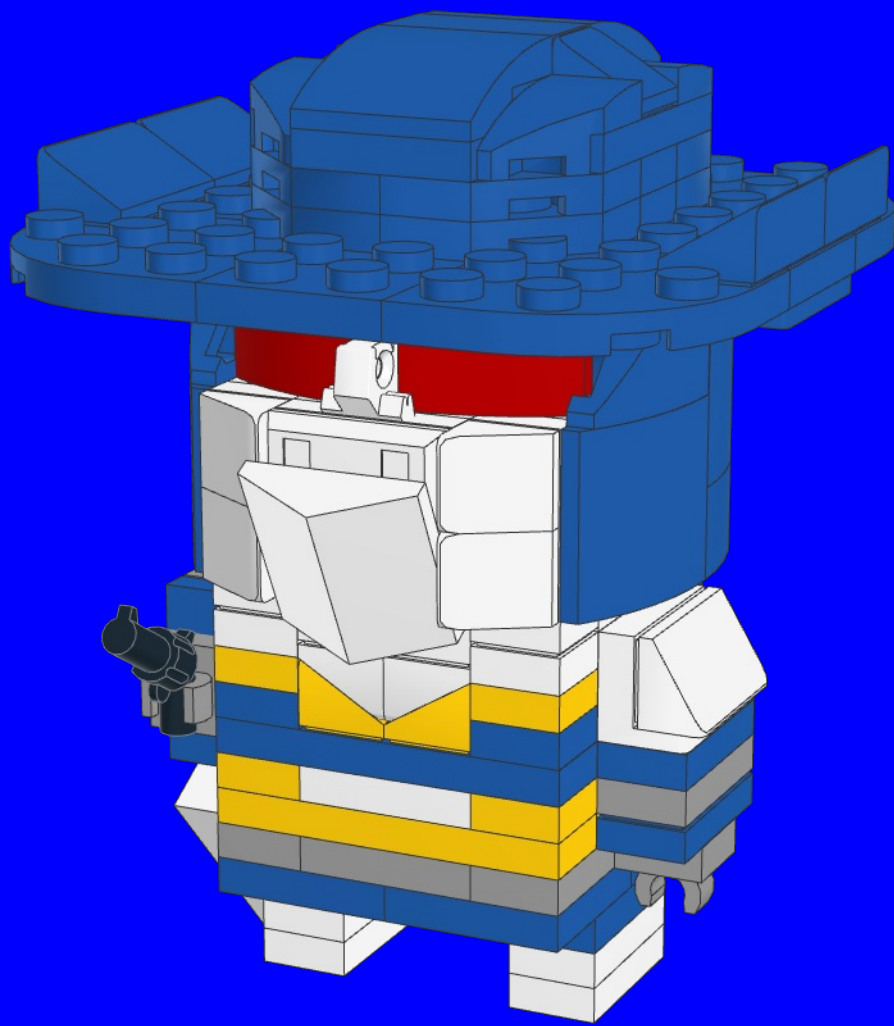
20

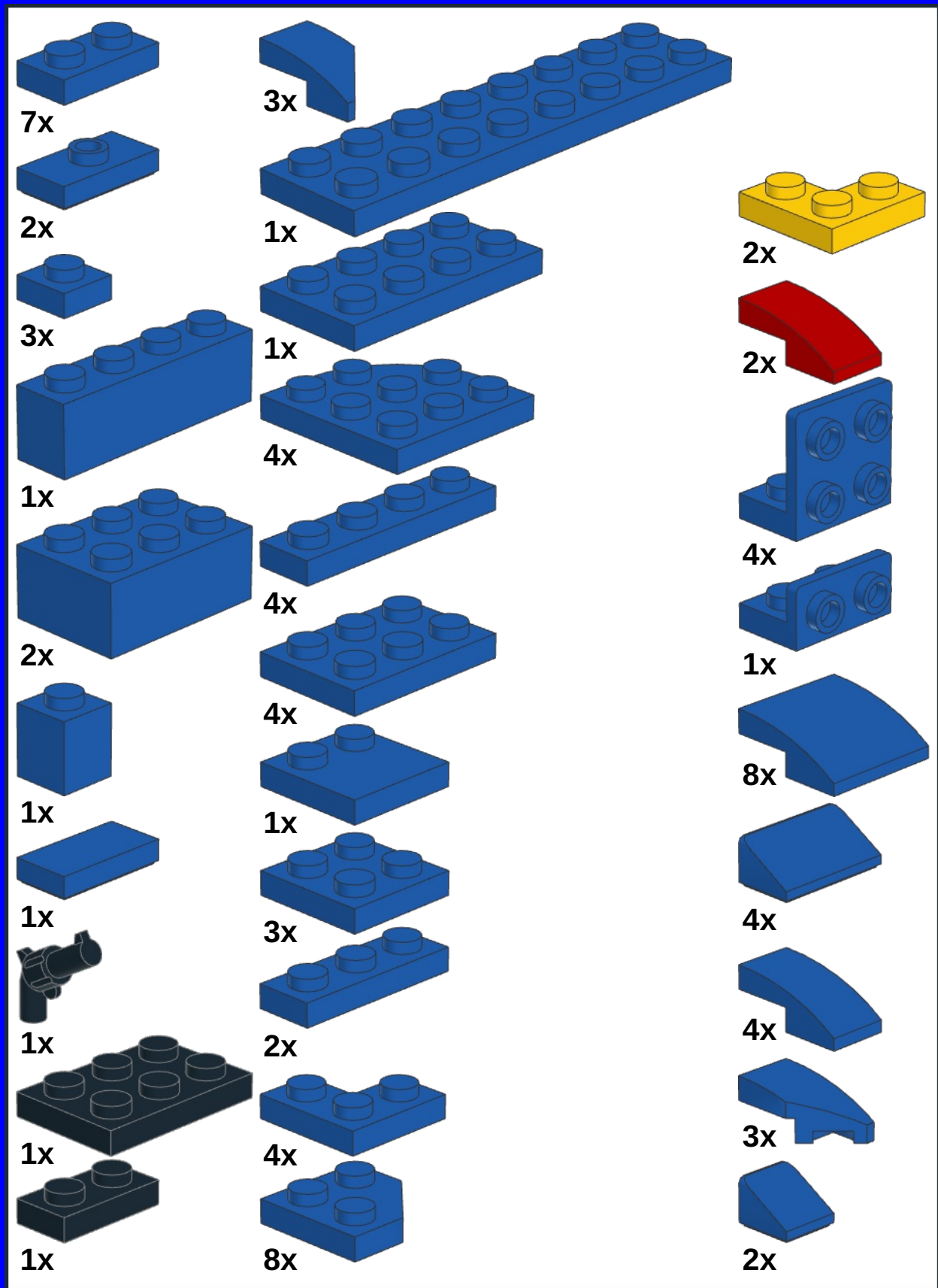


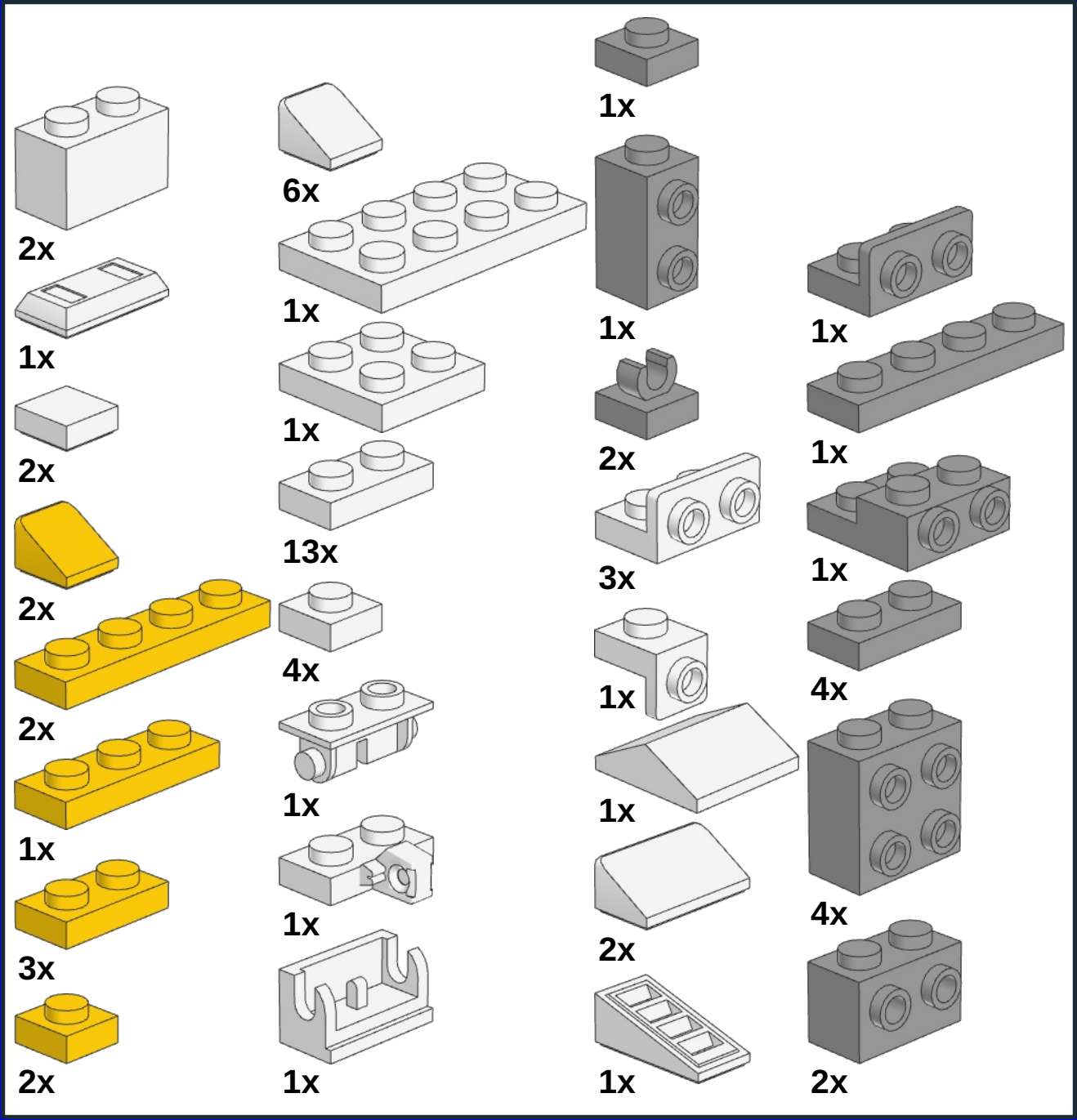
21











Honorable mentions of supporters:

Teg12345

dalesr

csscg

Bwtpelego

inkachi



Hope you had fun with this model and instructions.
As always you can reach out to me via email:
birdbrickbuilds@gmail.com

You can also check my work on rebrickable and
instagram:

<https://rebrickable.com/users/birdbrickbuilds/>
<https://www.instagram.com/birdbrickbuilds/>

If you wish to help me continue to make this
models and instructions you can buy me a coffee
to help me stay up late:

<https://www.buymeacoffee.com/birdbrickbl>

Or you can buy my Coffee Espresso MOC:
<https://reb.li/m/118798>

Or even you can buy my Beer Mug MOC:
<https://reb.li/m/137364>



This work is licensed under a [Creative Commons Attribution-NonCommercial-ShareAlike 4.0 International License](https://creativecommons.org/licenses/by-nc-sa/4.0/).