

LUKE SKYWALKER

Training with Lightsaber



Model instructions by Bird Brick Builds
Author: Eduardo Sousa
146 Parts



Attribution-NonCommercial-ShareAlike 4.0 International (CC BY-NC-SA 4.0)

This is a human-readable summary of (and not a substitute for) the [license](#). [Disclaimer](#).

You are free to:

Share — copy and redistribute the material in any medium or format

Adapt — remix, transform, and build upon the material

The licensor cannot revoke these freedoms as long as you follow the [license terms](#).

Under the following terms:



Attribution — You must give [appropriate credit](#), provide a link to the license, and [indicate if changes were made](#). You may do so in any reasonable manner, but not in any way that suggests the licensor endorses you or your use.



NonCommercial — You may not use the material for [commercial purposes](#).



ShareAlike — If you remix, transform, or build upon the material, you must distribute your contributions under the [same license](#) as the original.

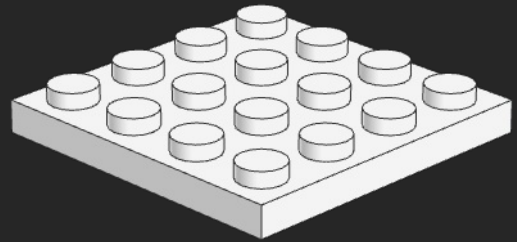
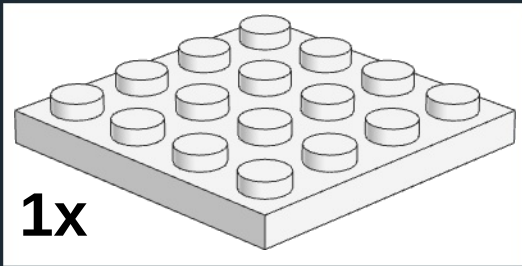
No additional restrictions — You may not apply legal terms or [technological measures](#) that legally restrict others from doing anything the license permits.

Notices:

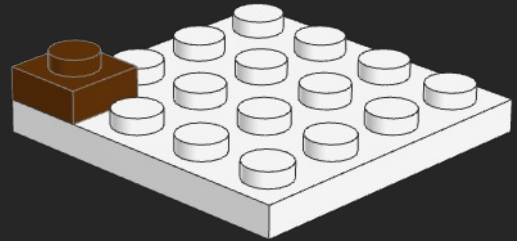
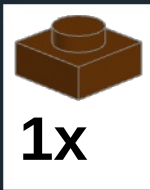
You do not have to comply with the license for elements of the material in the public domain or where your use is permitted by an applicable [exception or limitation](#).

No warranties are given. The license may not give you all of the permissions necessary for your intended use. For example, other rights such as [publicity, privacy, or moral rights](#) may limit how you use the material.

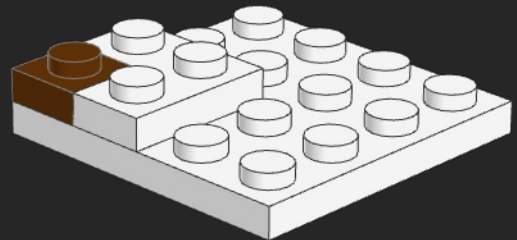
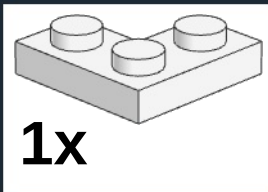
1



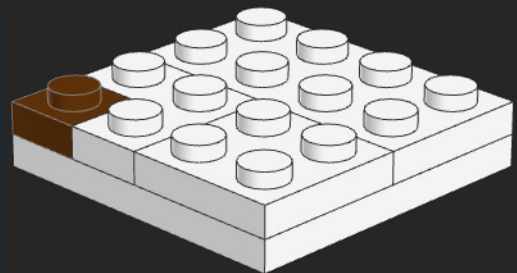
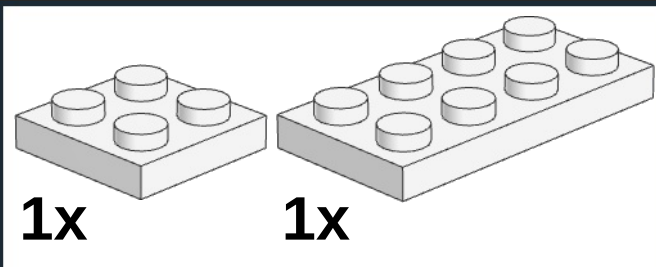
2



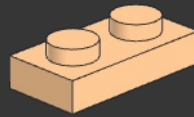
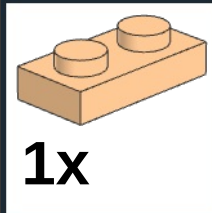
3



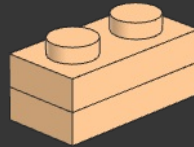
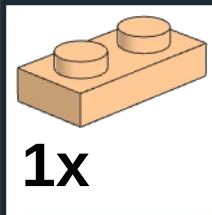
4



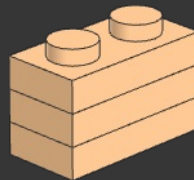
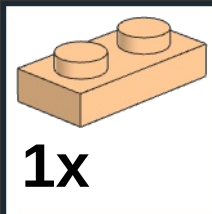
1



2

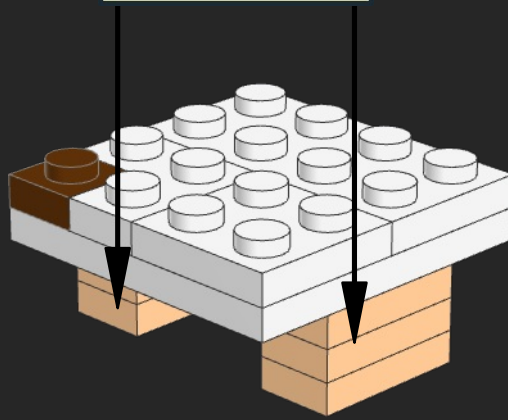
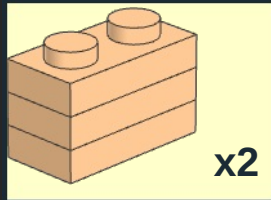


3

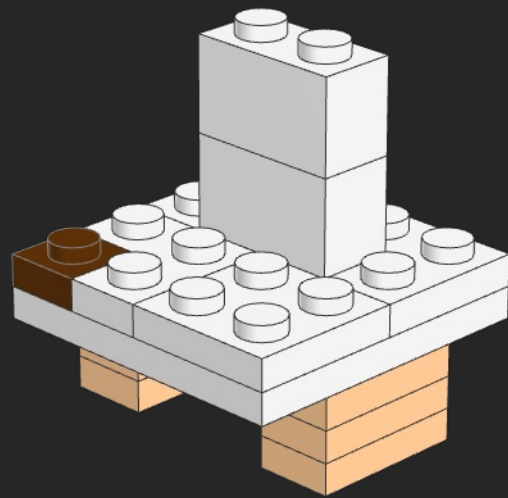
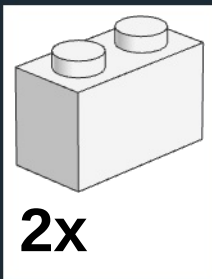


x2

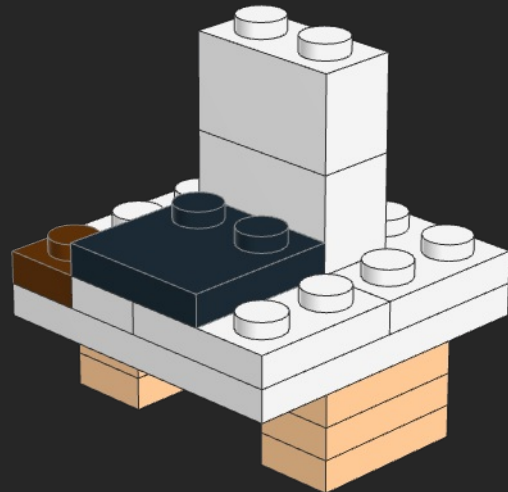
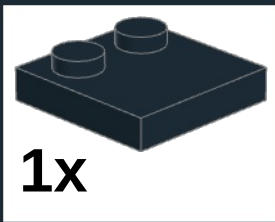
5



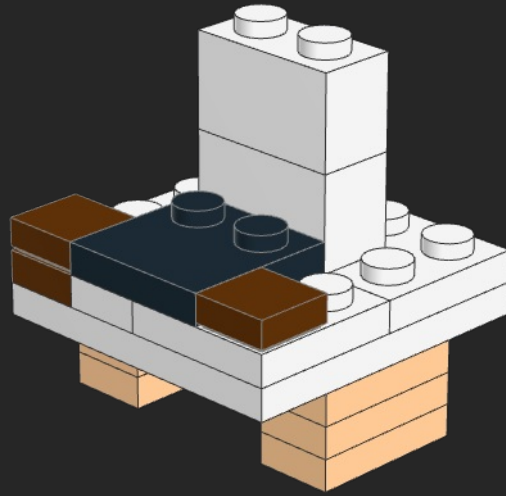
6



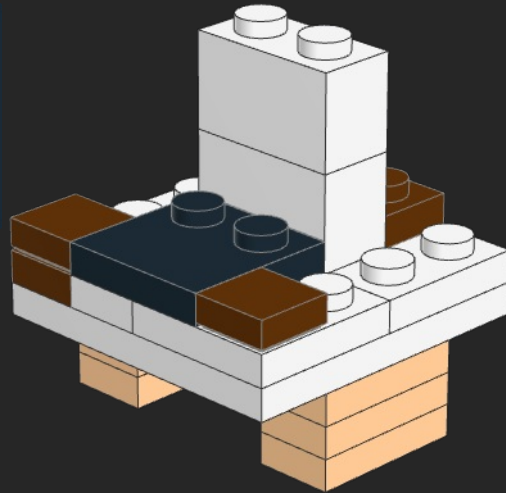
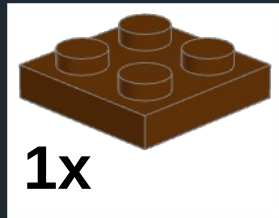
7



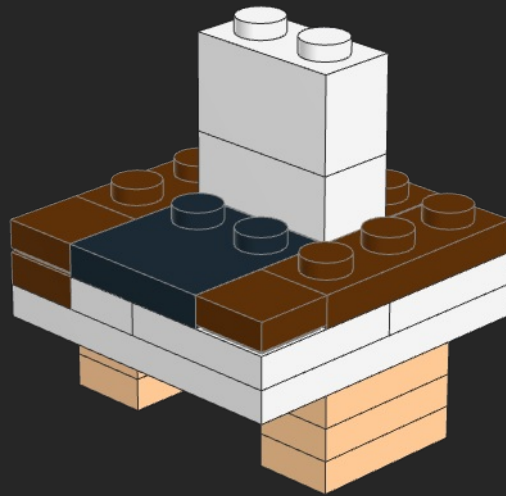
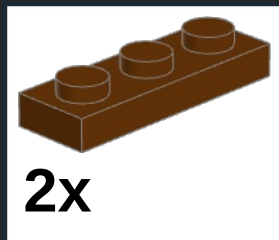
8



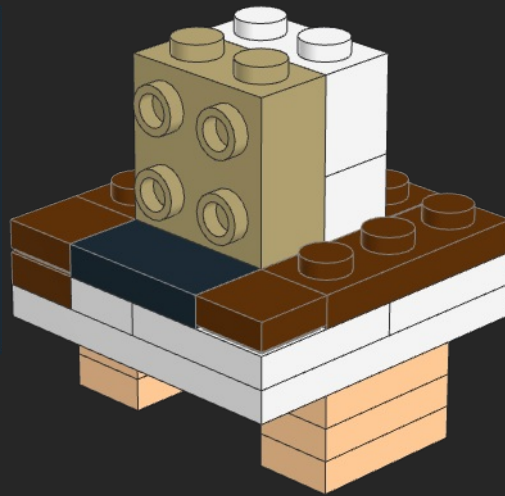
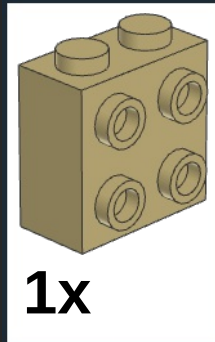
9



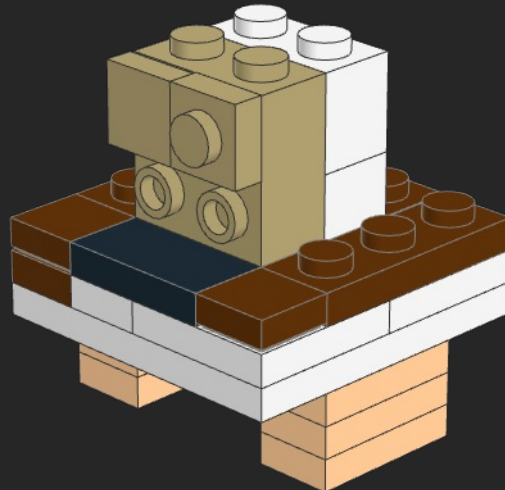
10



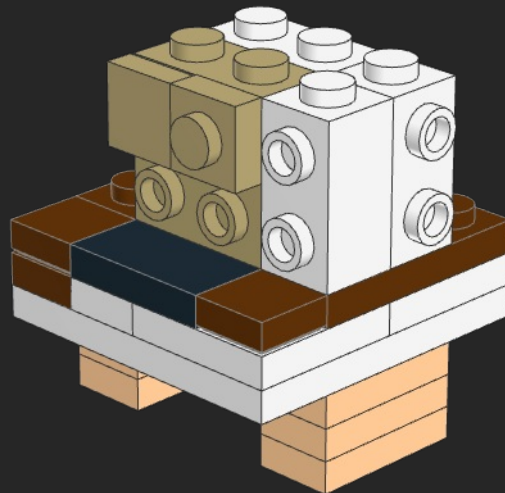
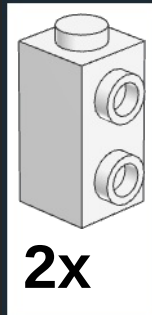
11



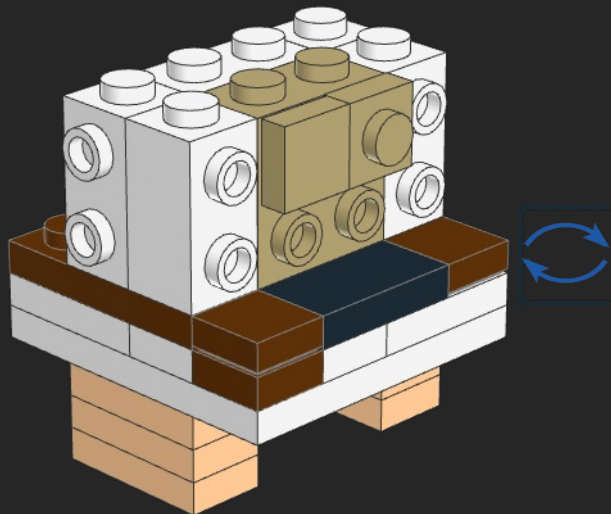
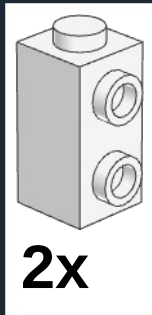
12



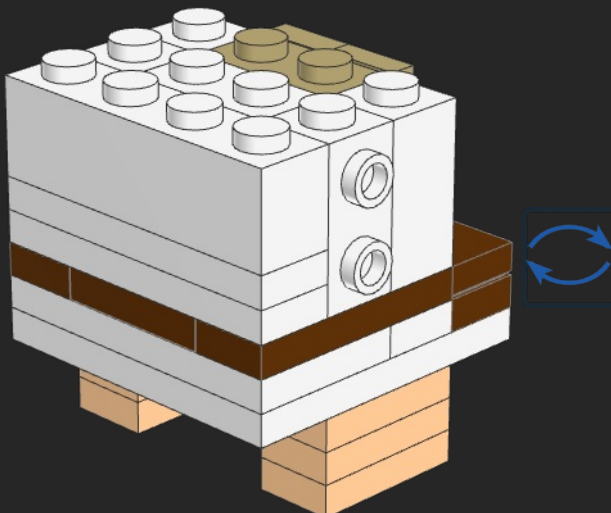
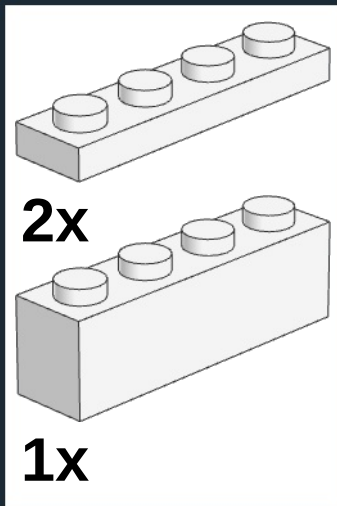
13



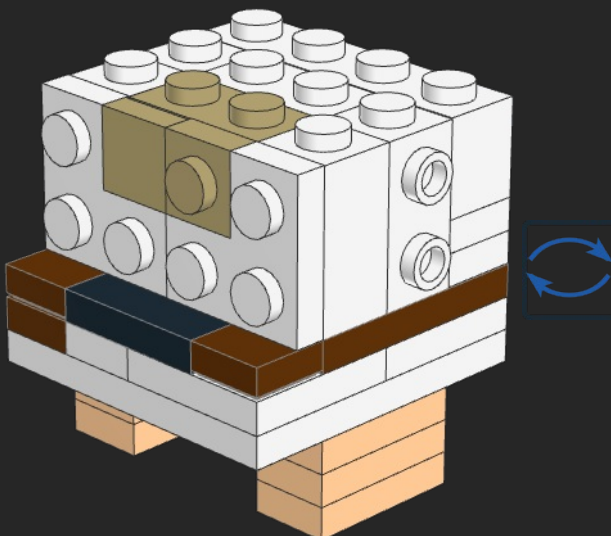
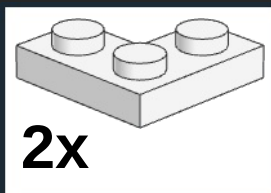
14



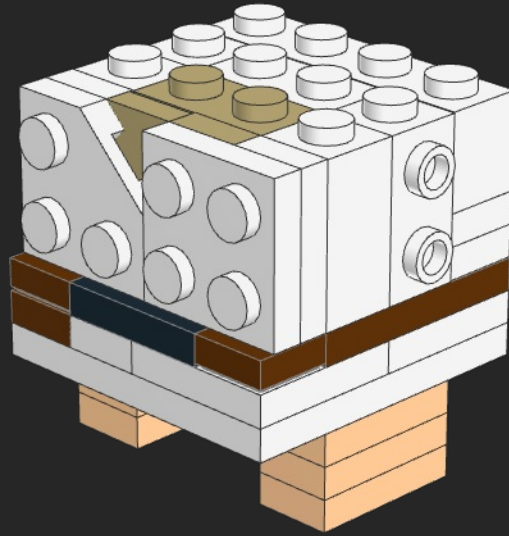
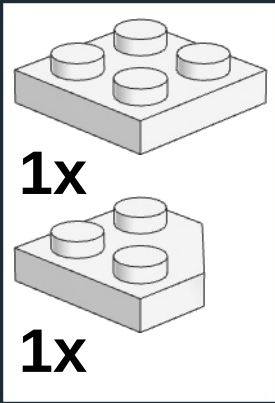
15



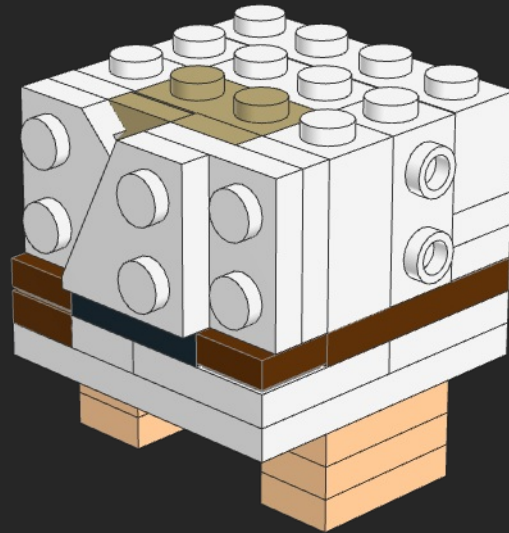
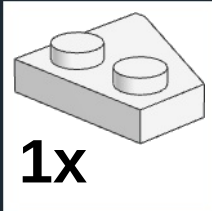
16



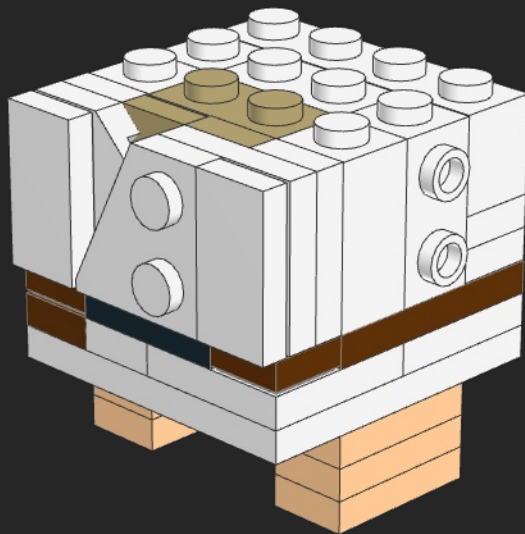
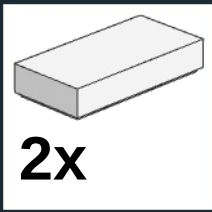
17



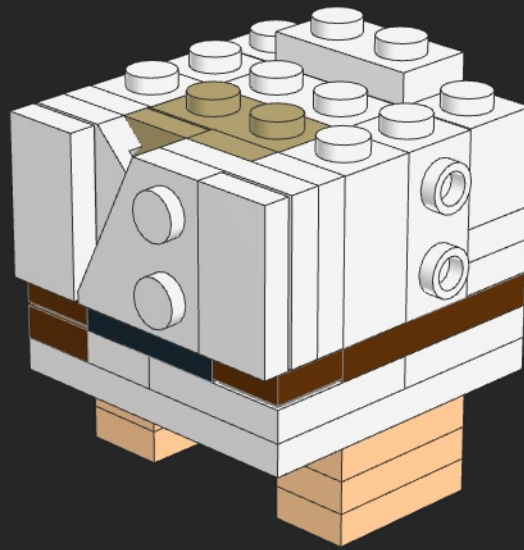
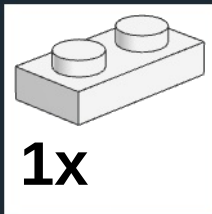
18



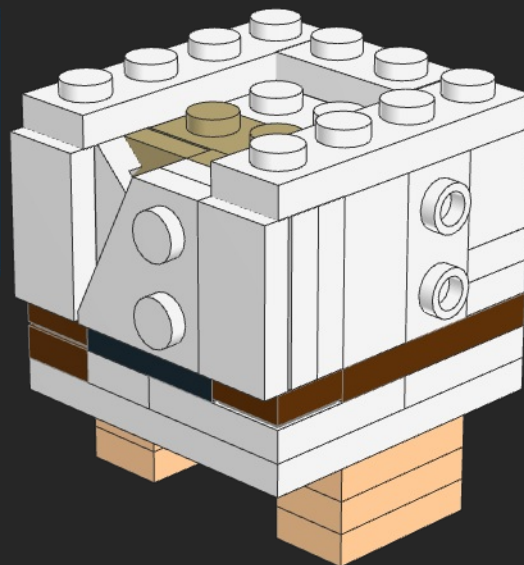
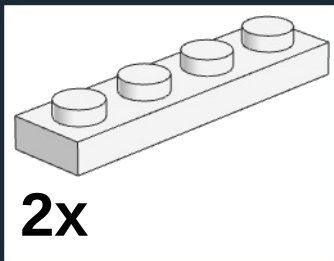
19



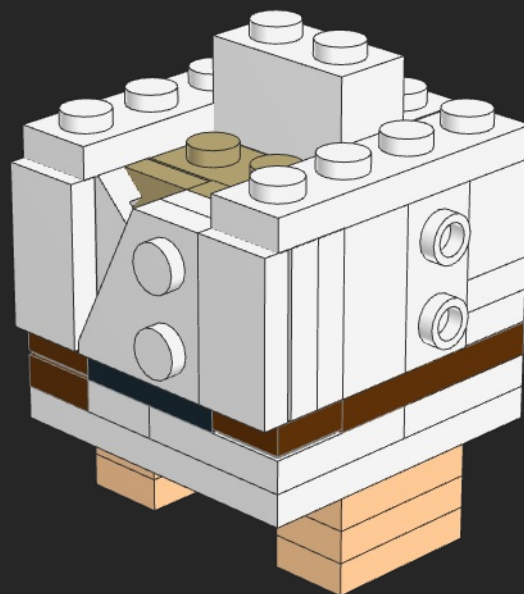
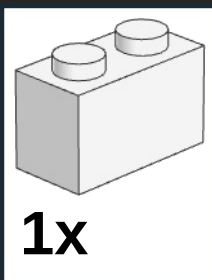
20

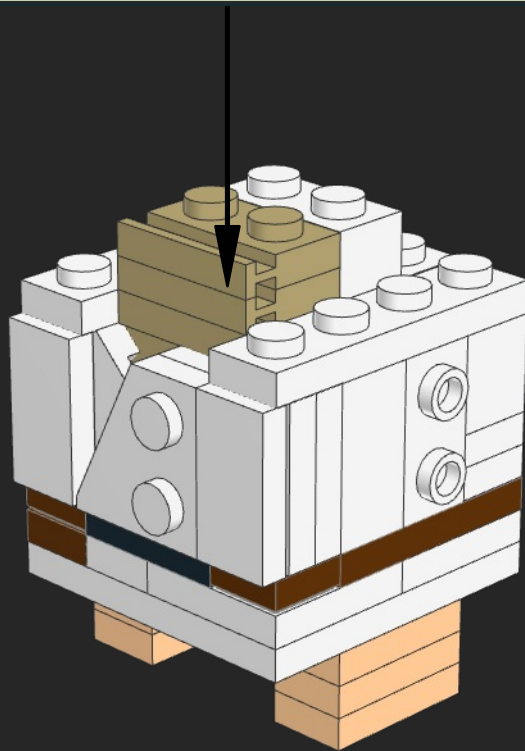
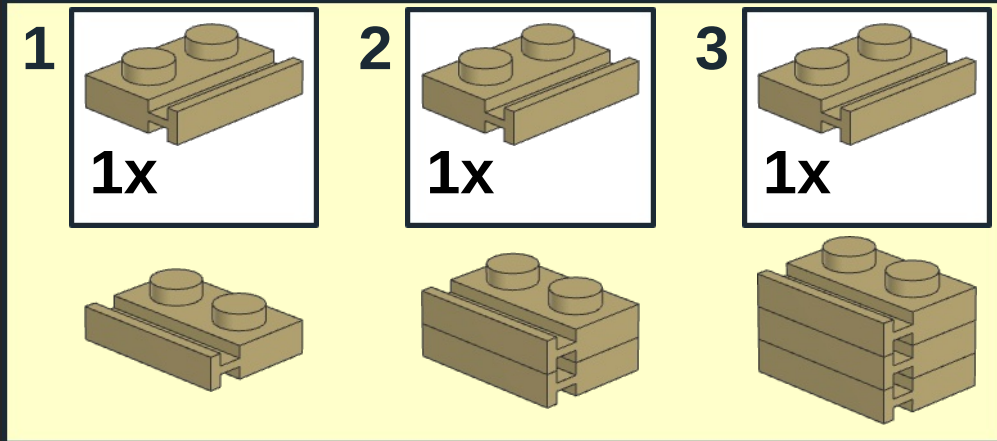


21

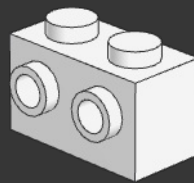
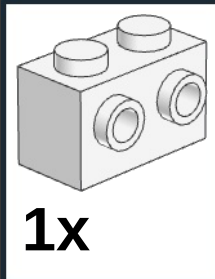


22

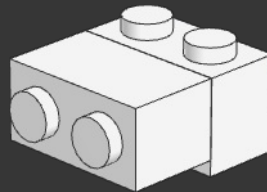
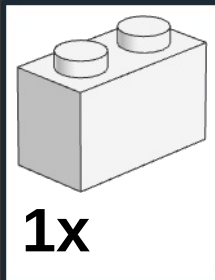




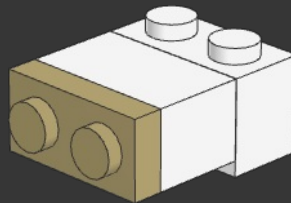
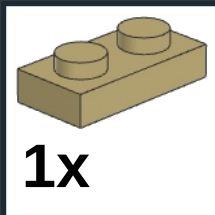
1

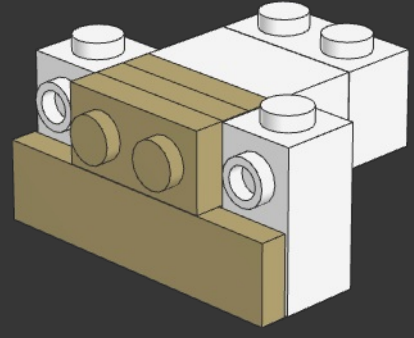
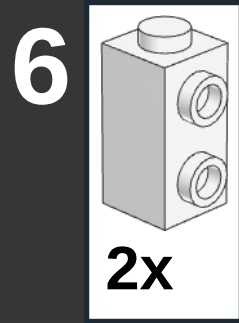
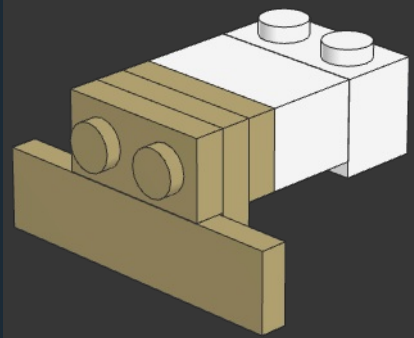
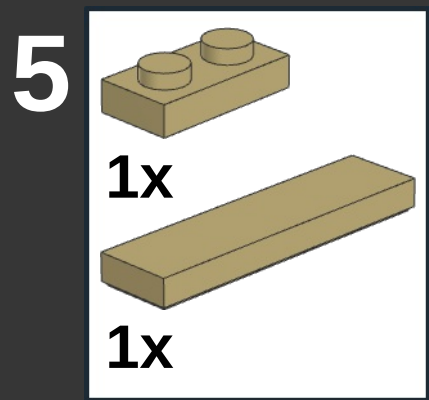
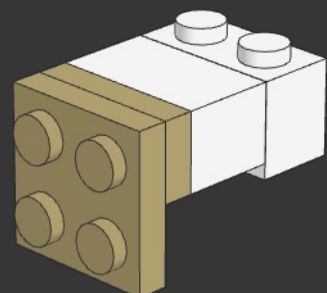
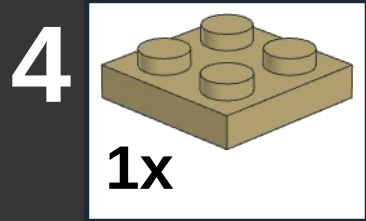


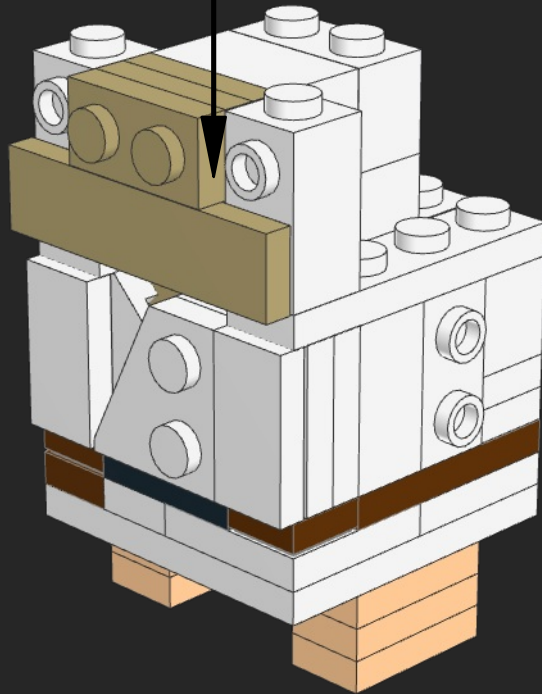
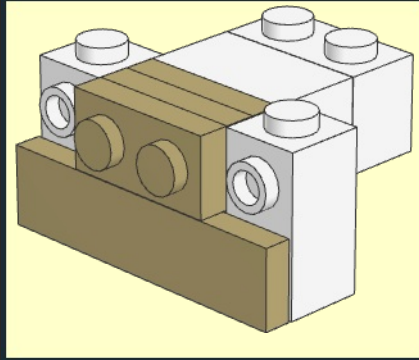
2



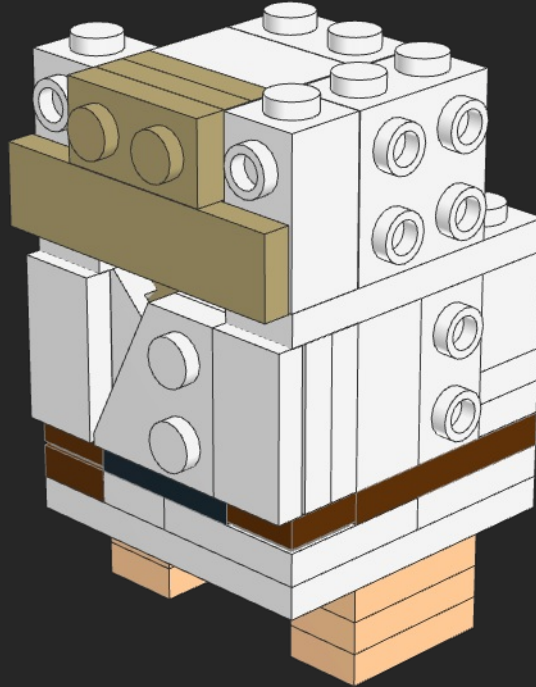
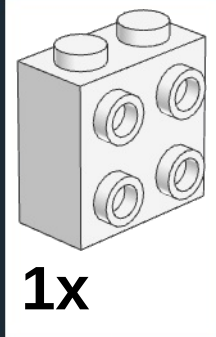
3



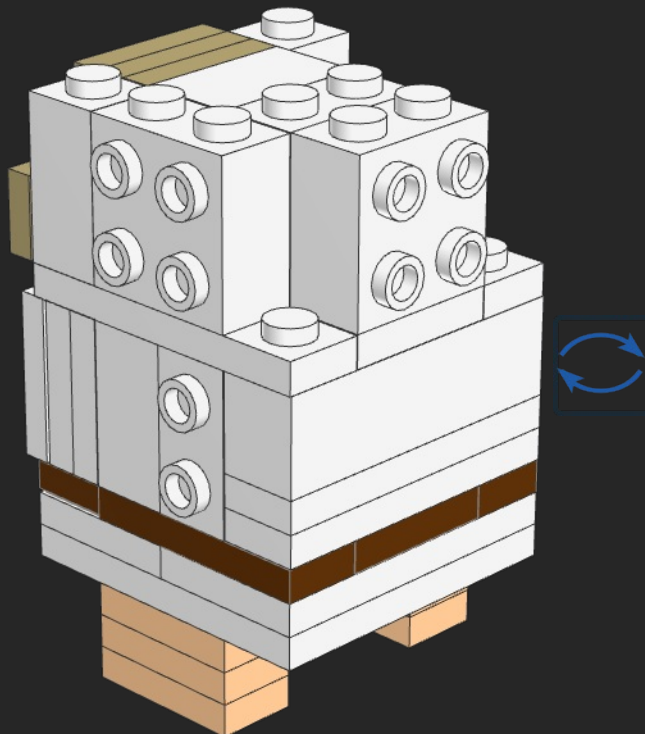
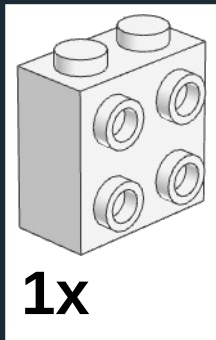




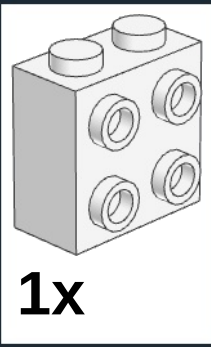
25



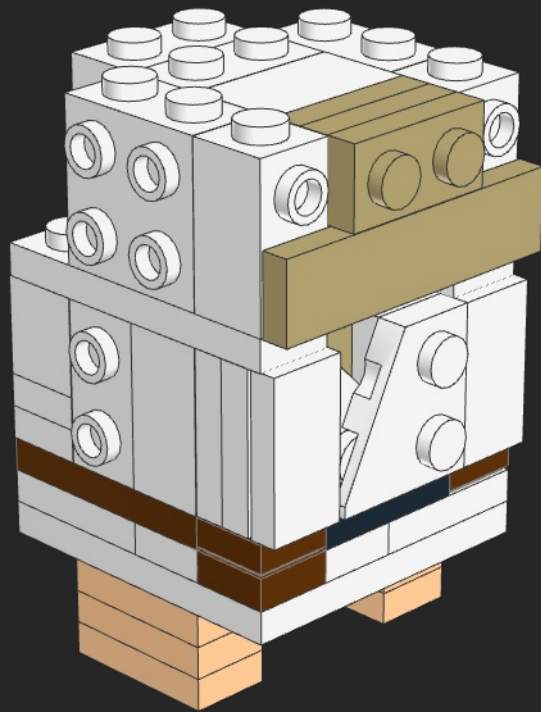
26

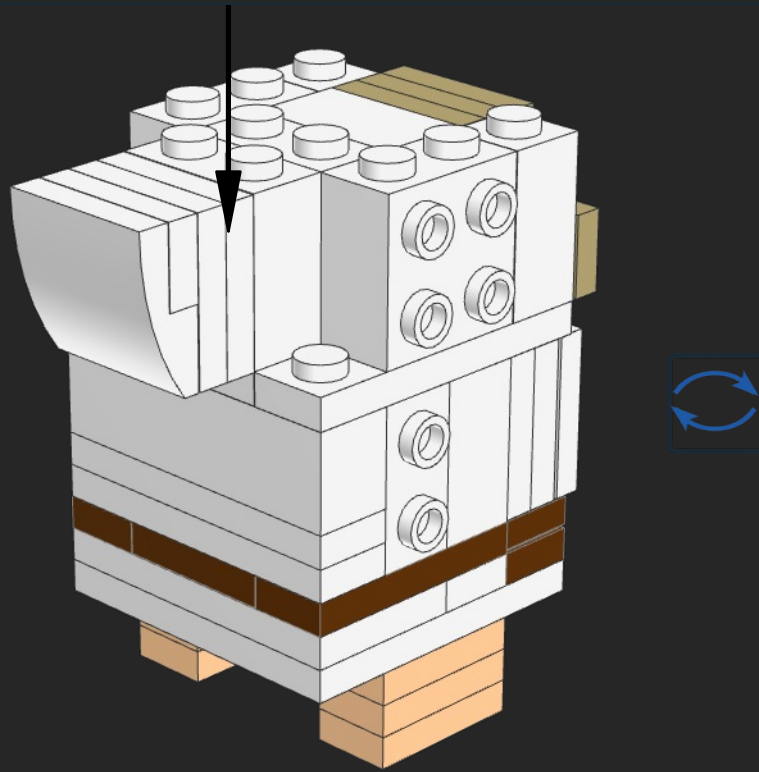
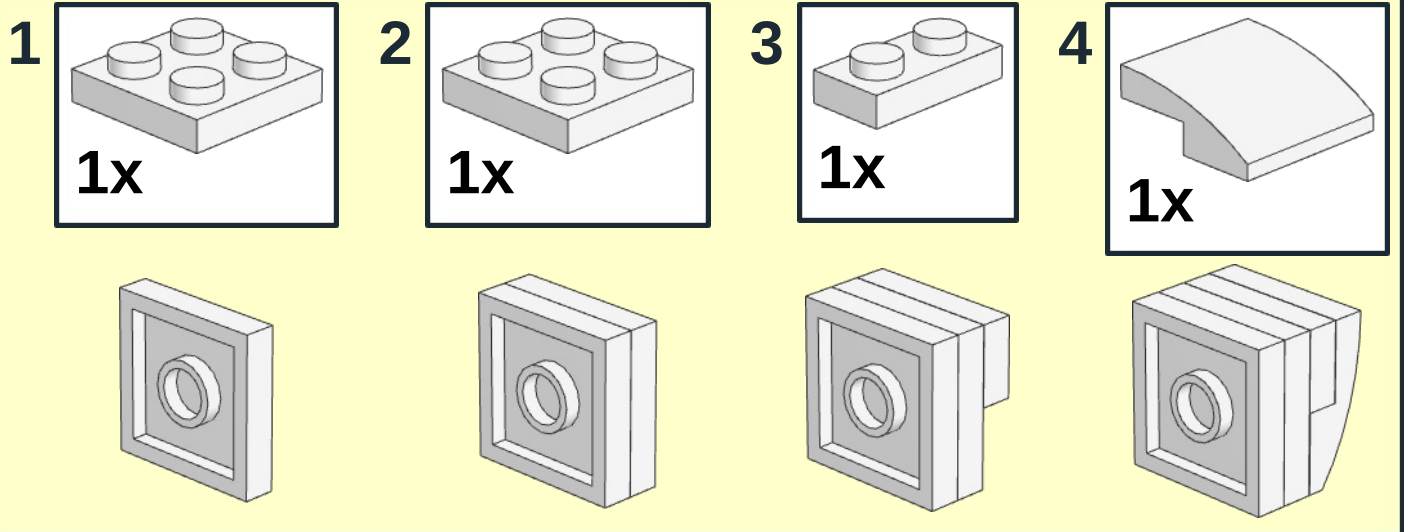


27

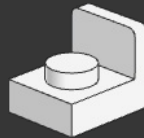
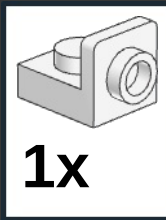


1x

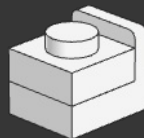
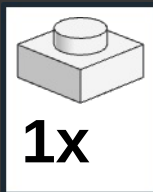




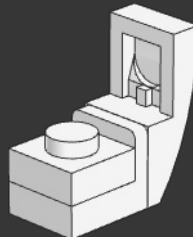
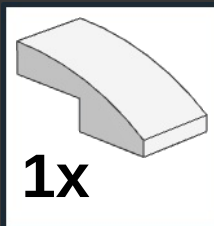
1



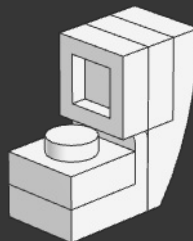
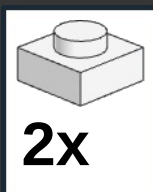
2



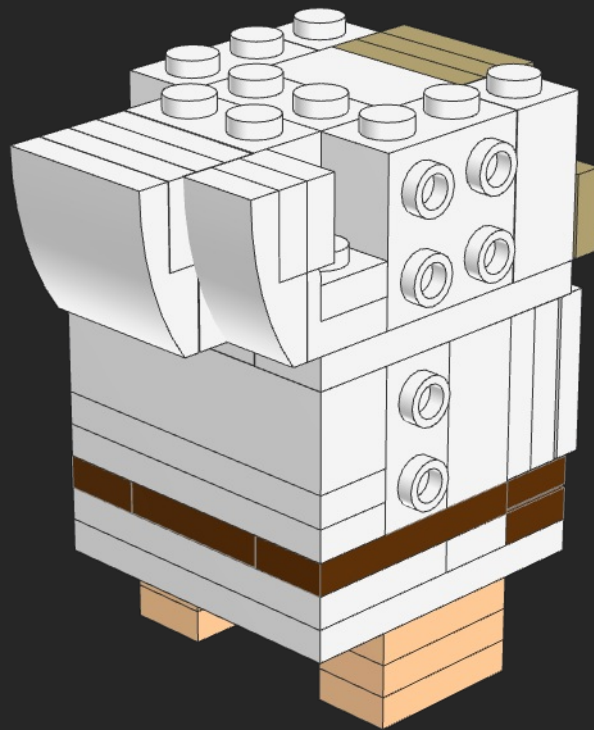
3



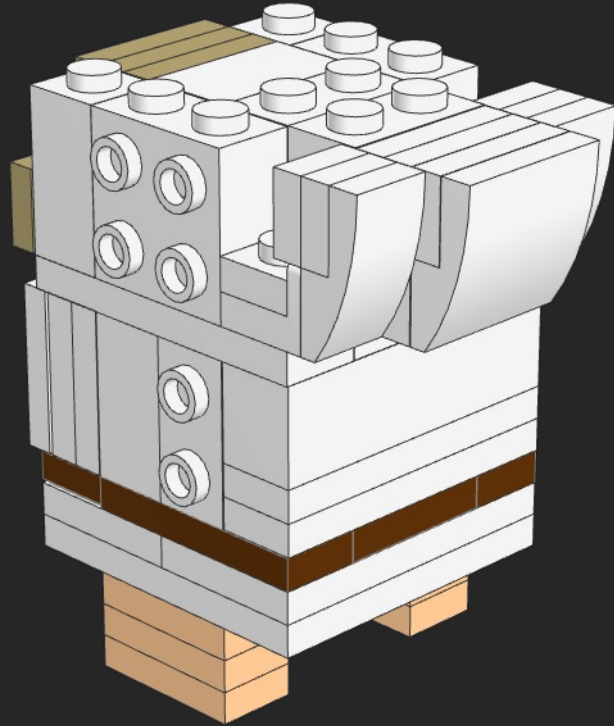
4



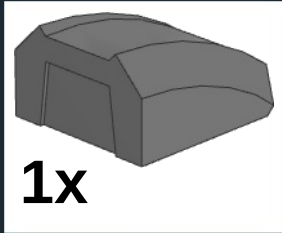
x2



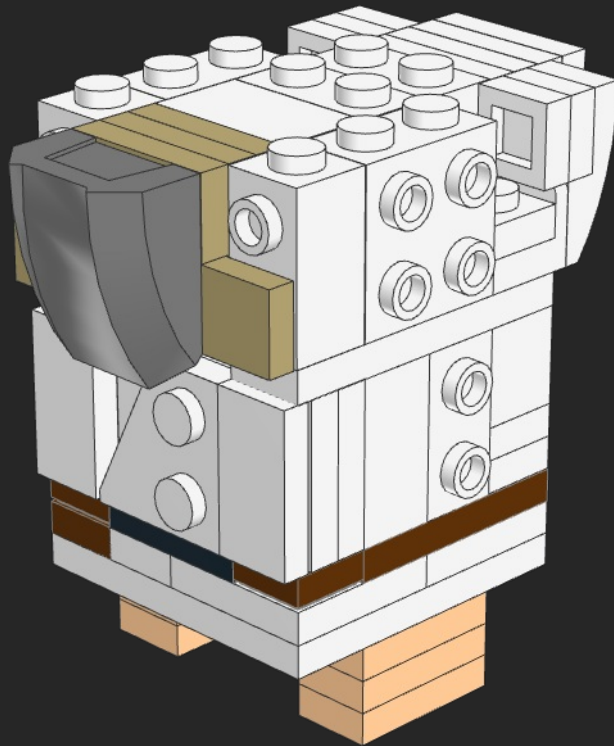
30

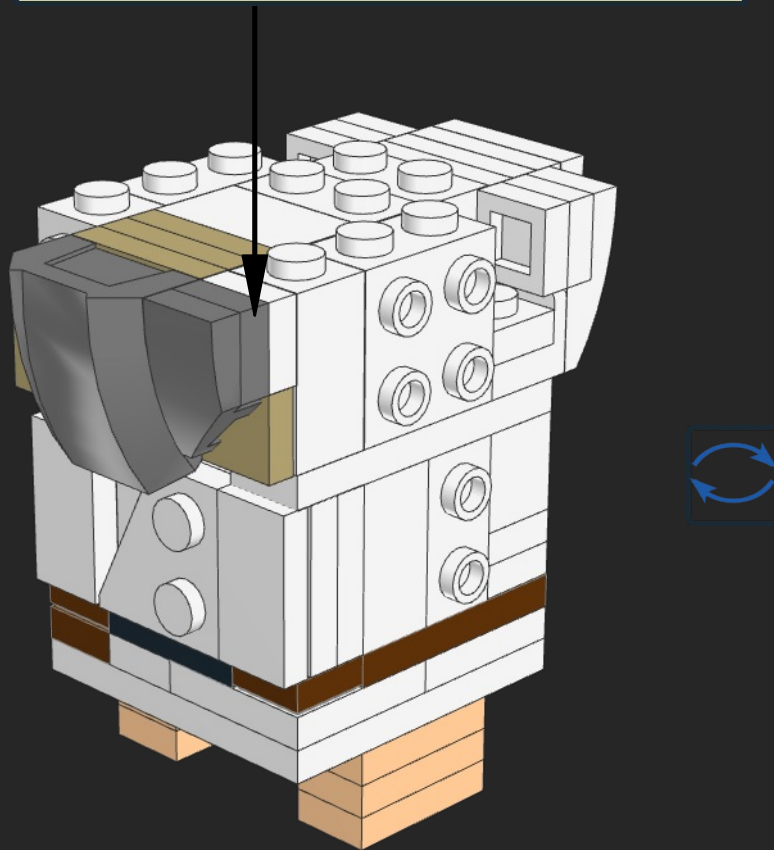
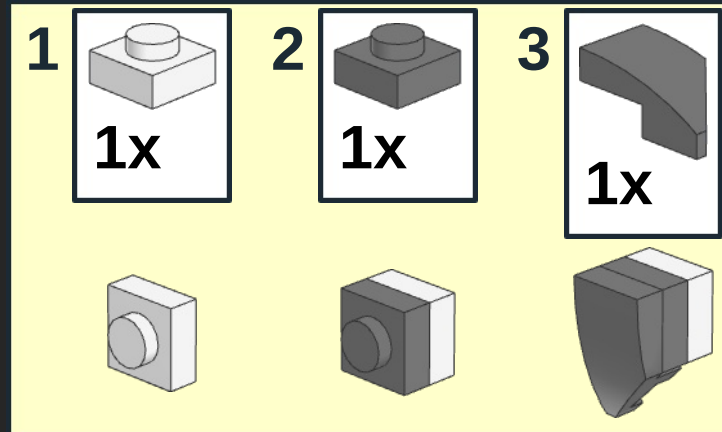


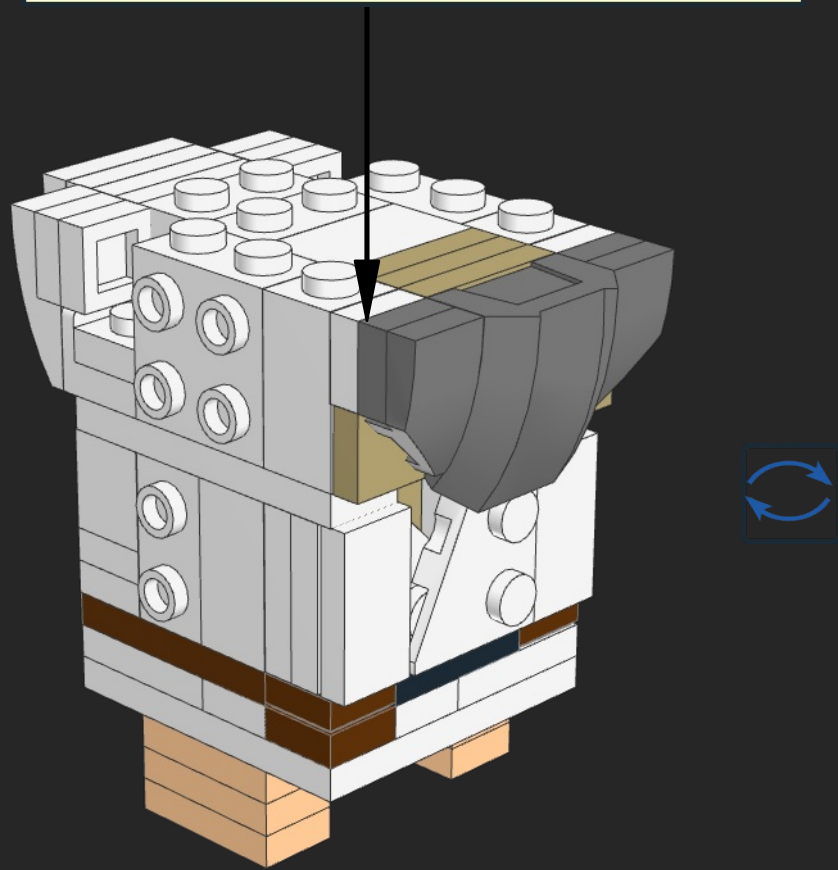
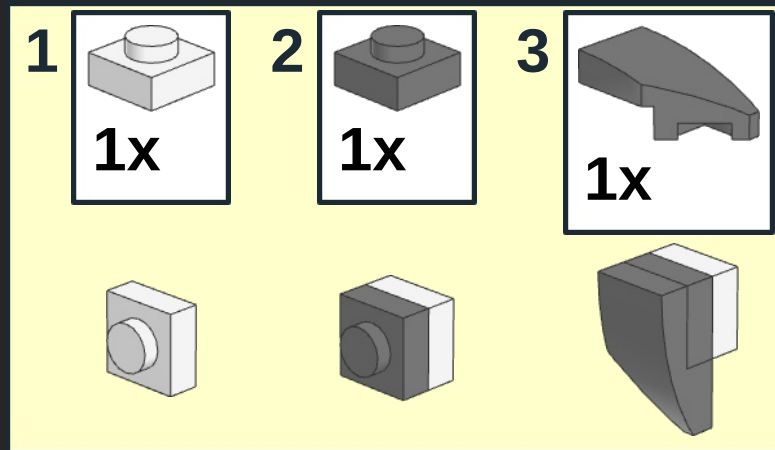
31



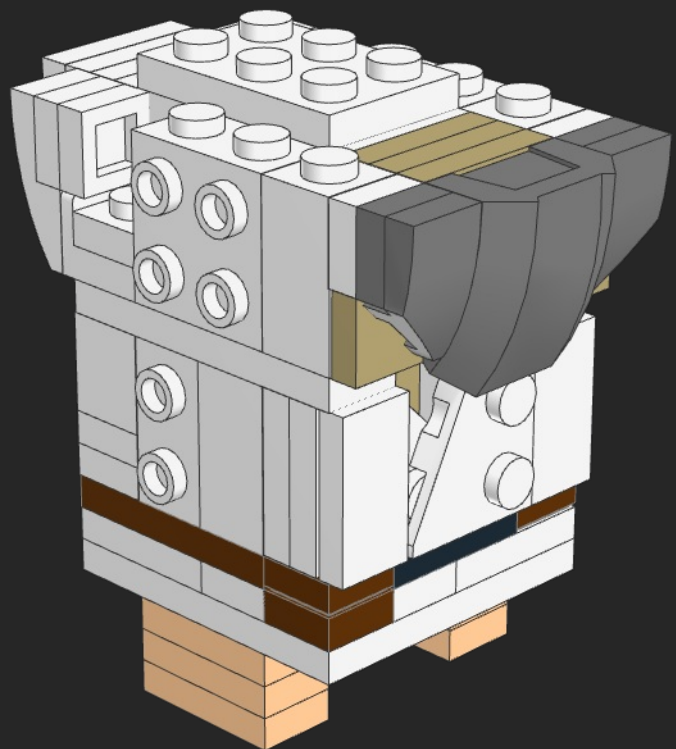
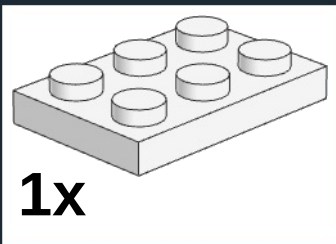
1x



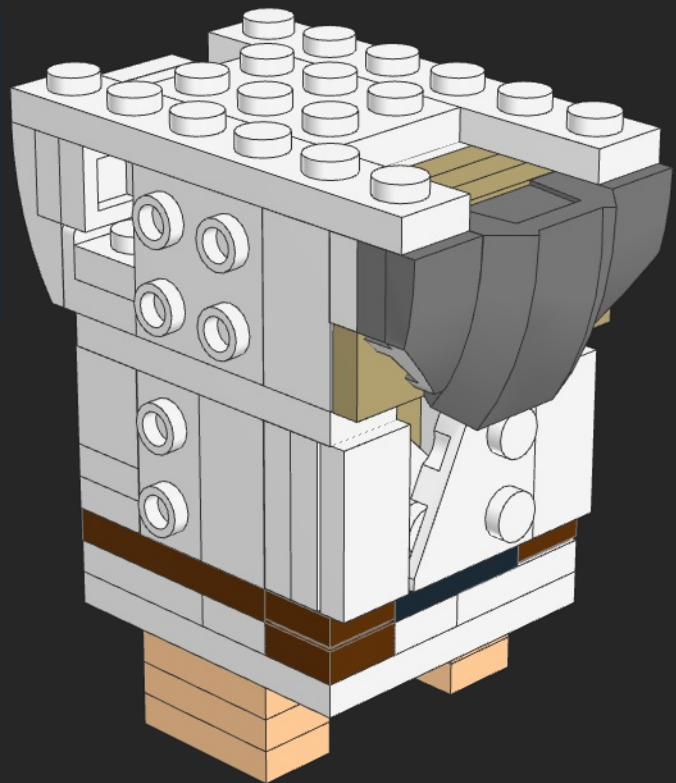
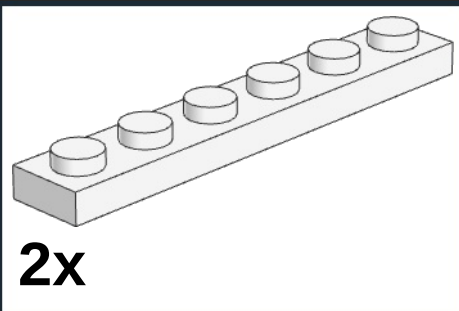




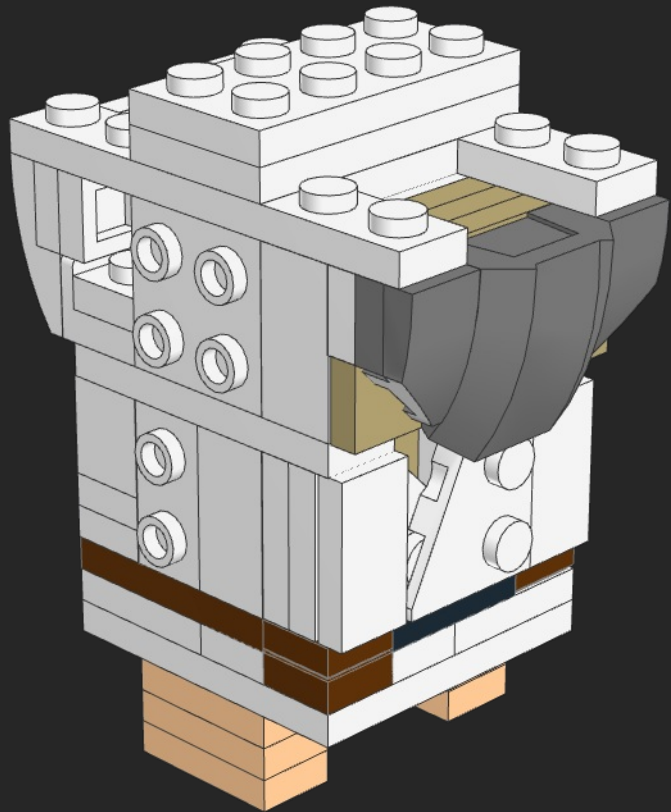
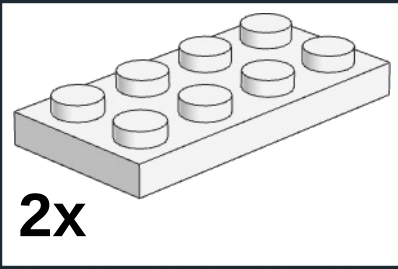
34



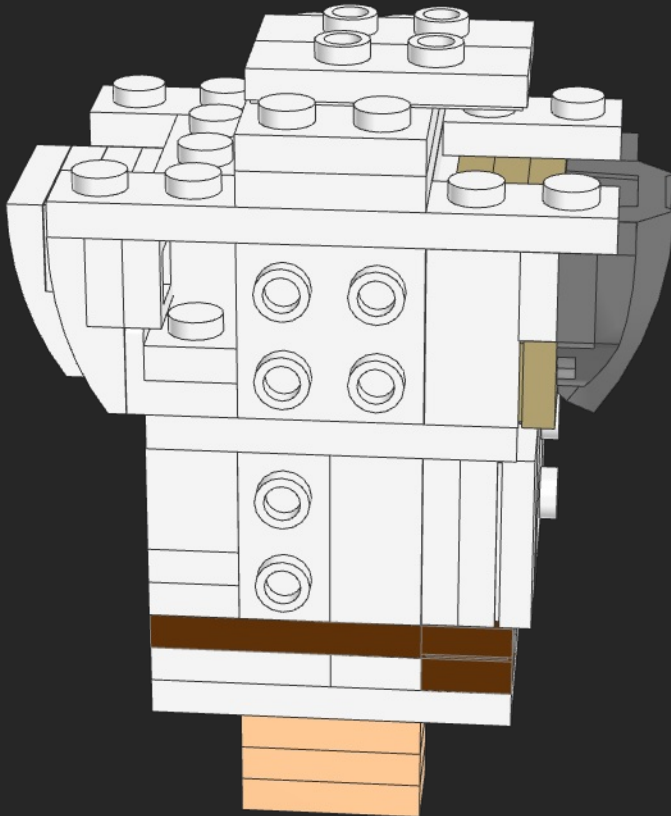
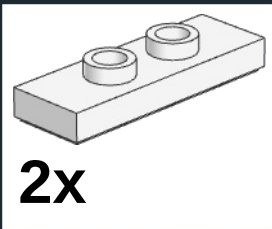
35



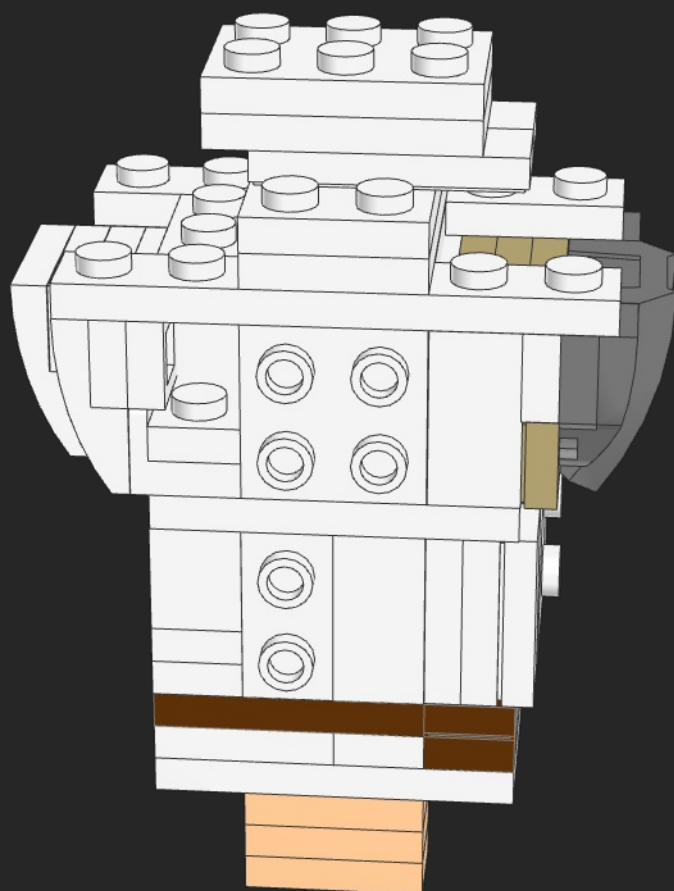
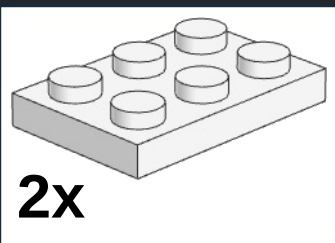
36



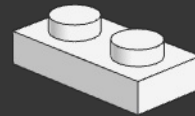
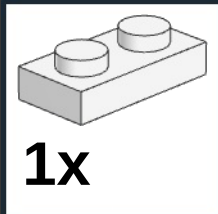
37



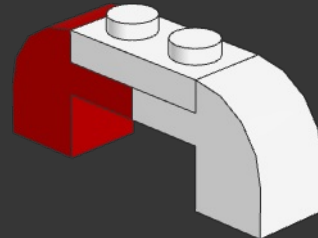
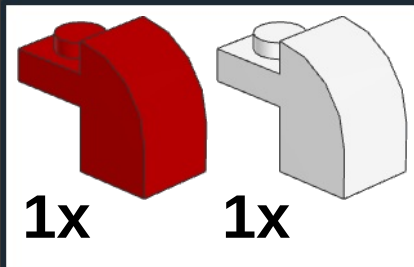
38



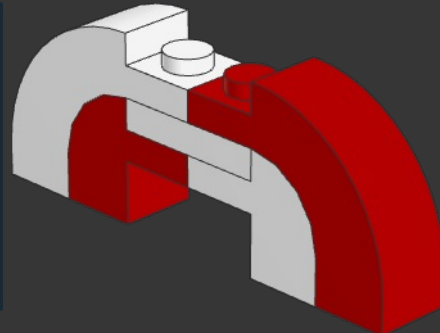
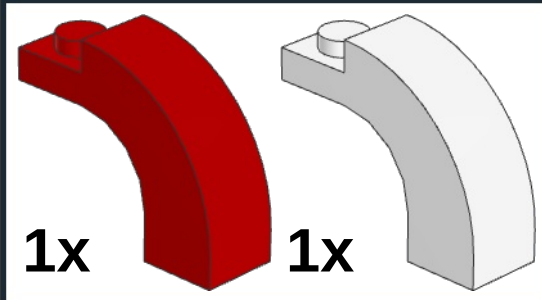
1



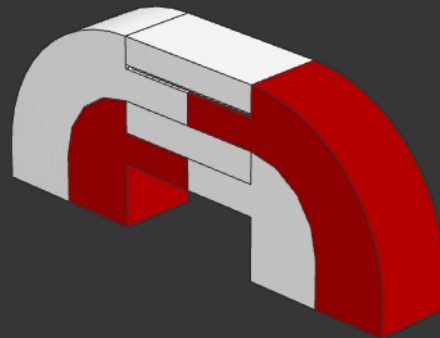
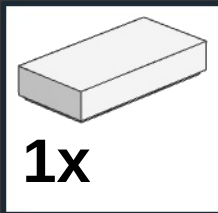
2



3

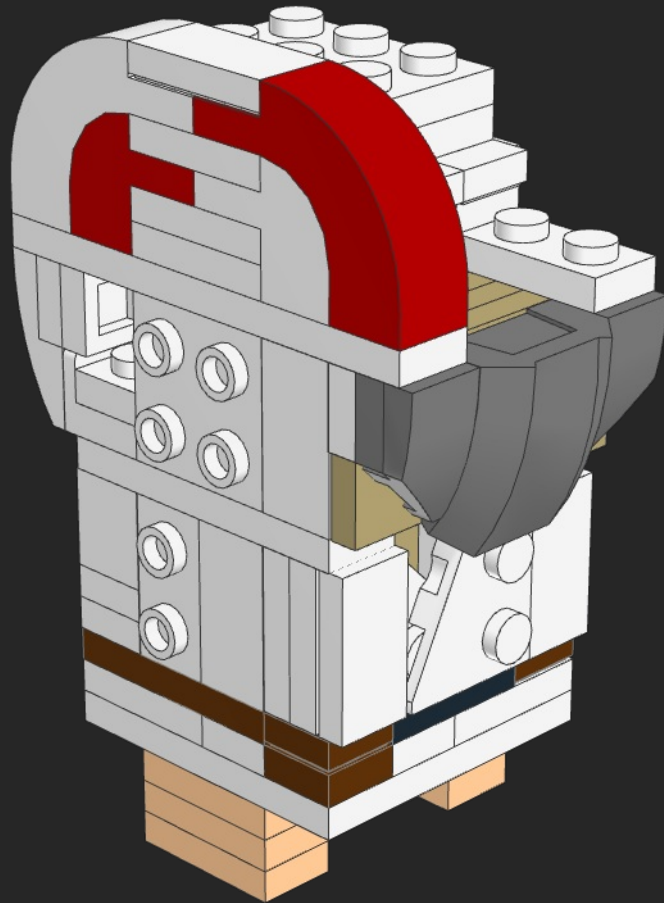


4

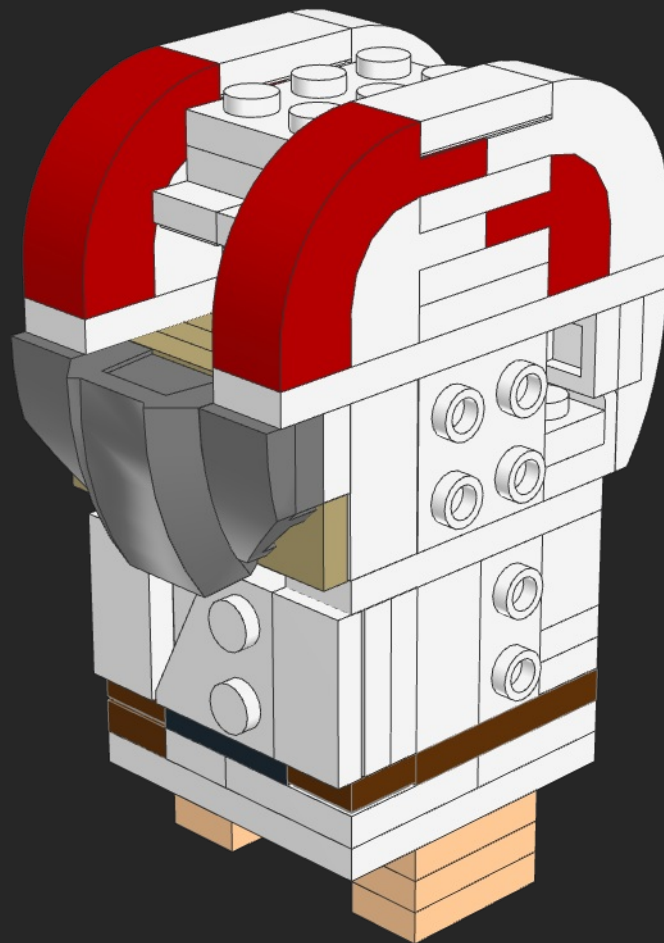


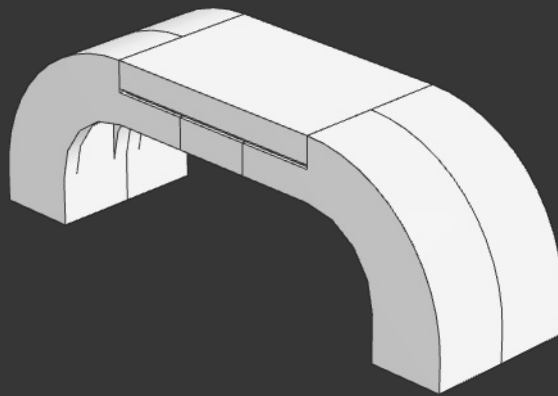
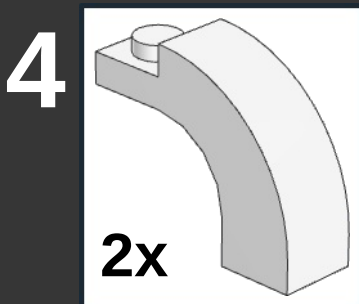
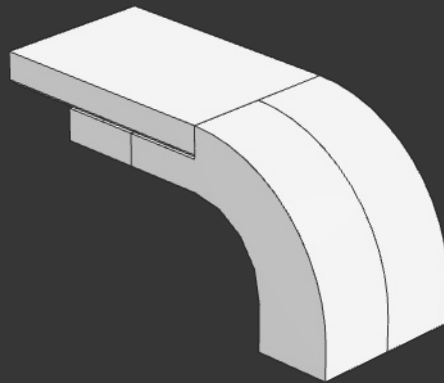
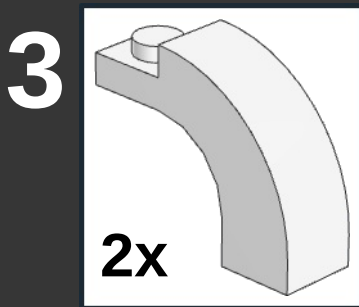
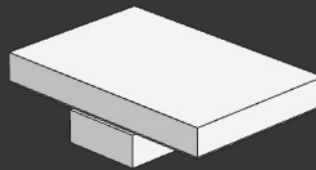
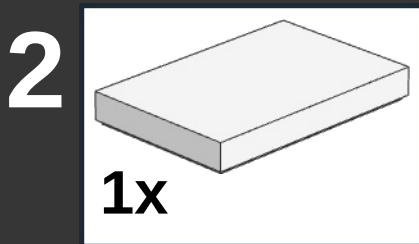
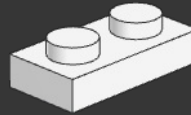
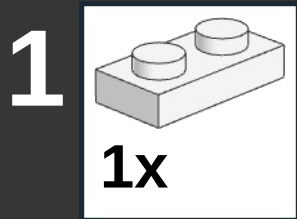
x2

39

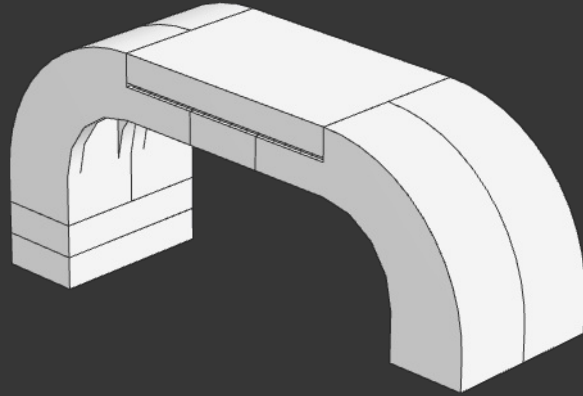
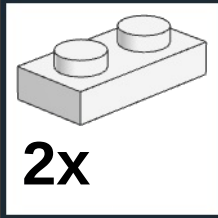


40

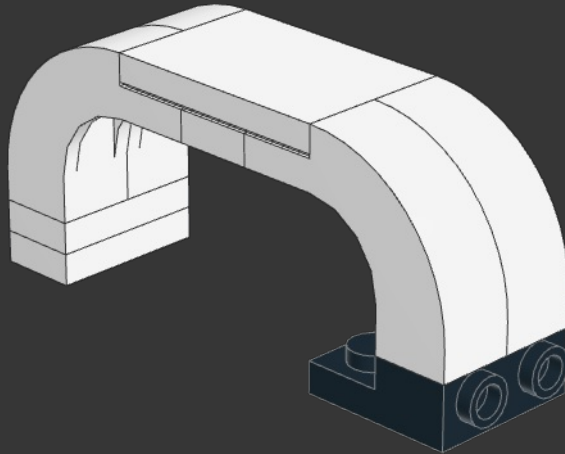
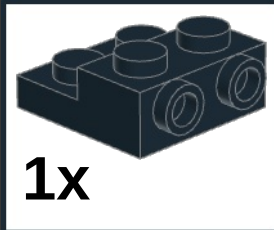




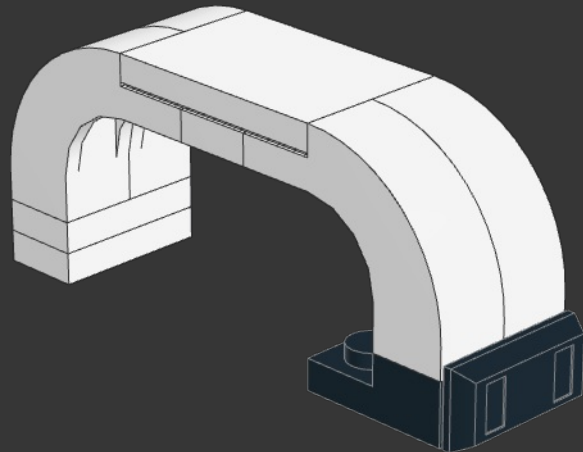
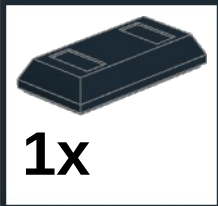
5



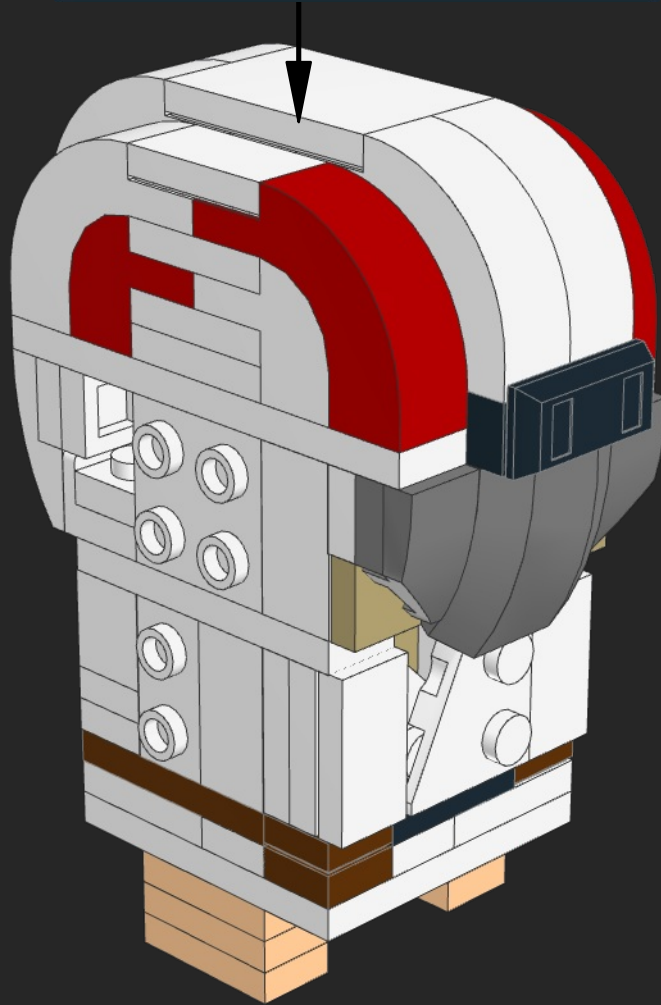
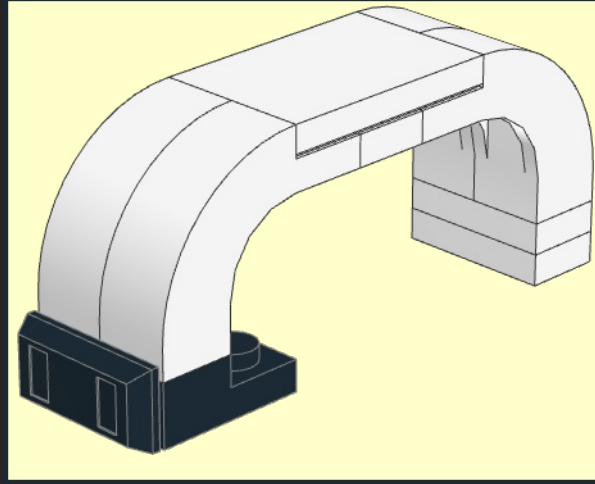
6



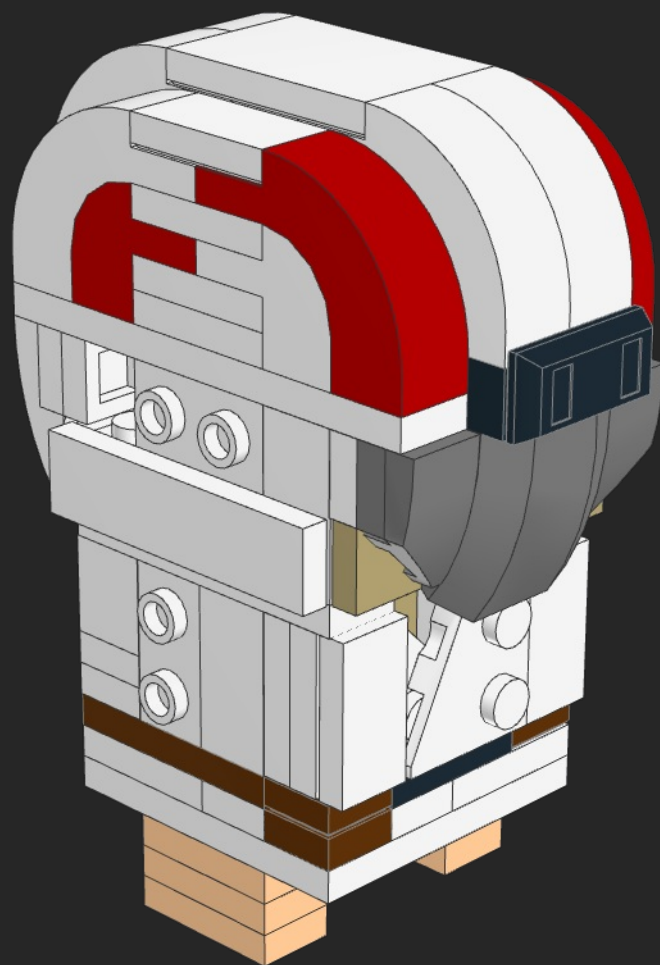
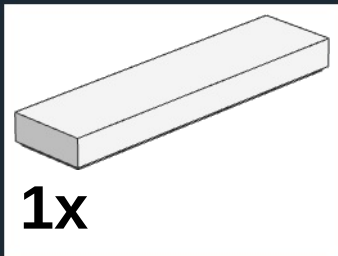
7



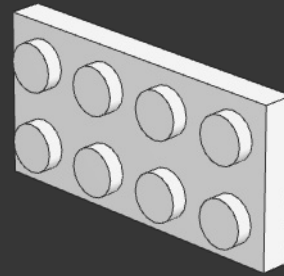
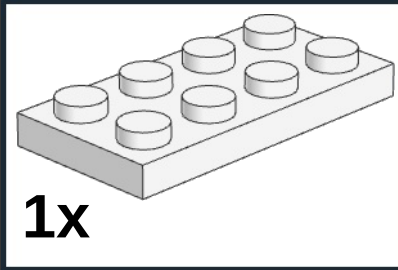
41



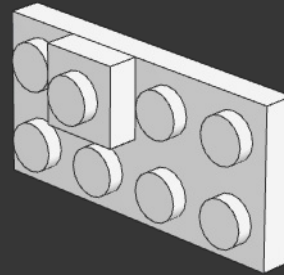
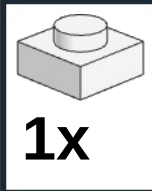
42



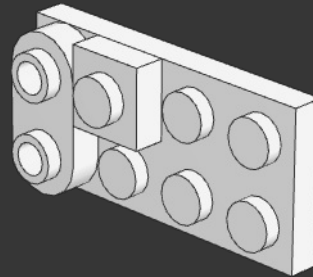
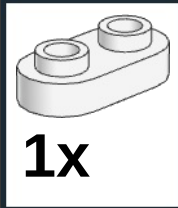
1



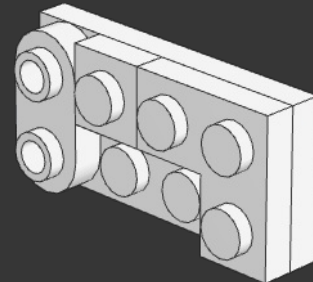
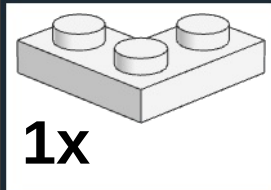
2



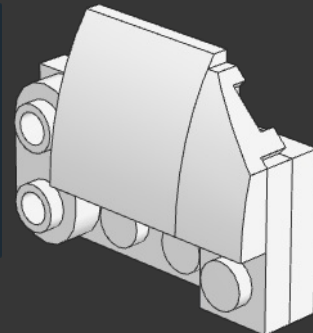
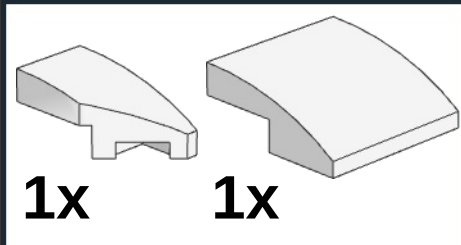
3



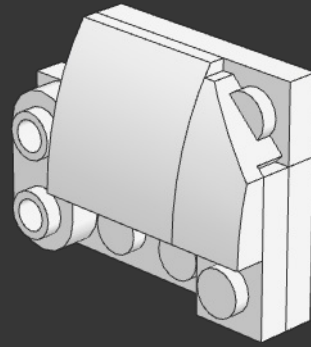
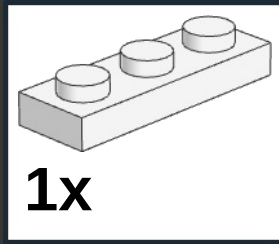
4



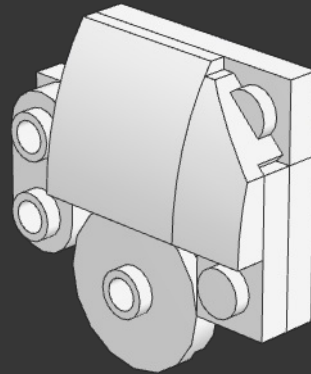
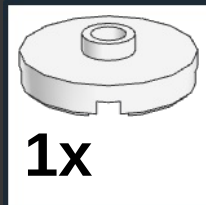
5



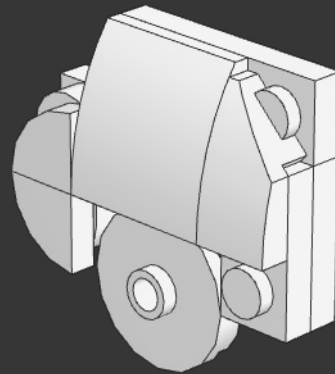
6



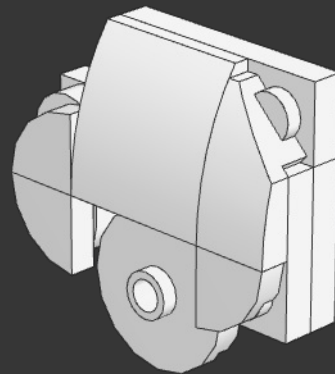
7



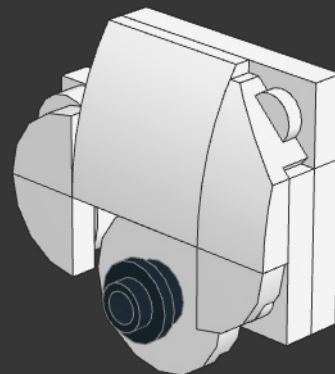
8

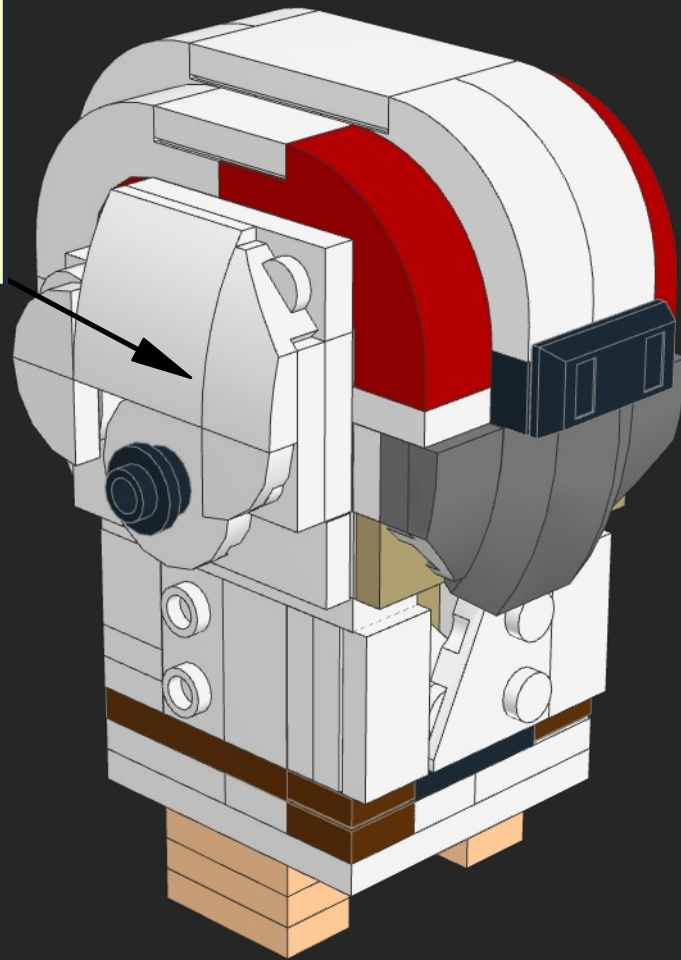
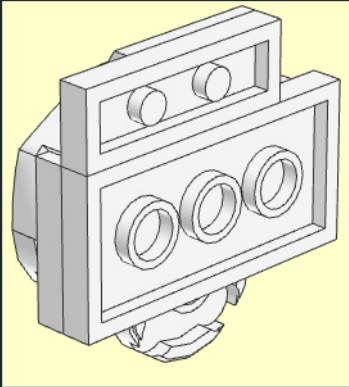


9

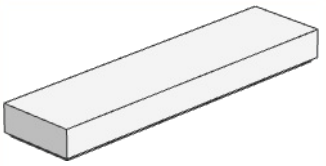


10

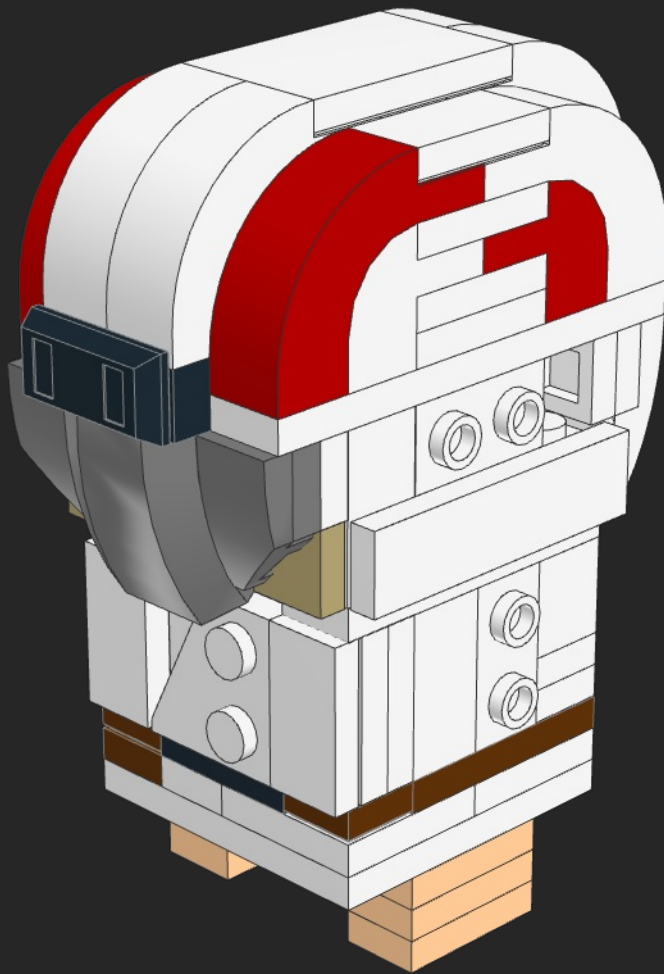




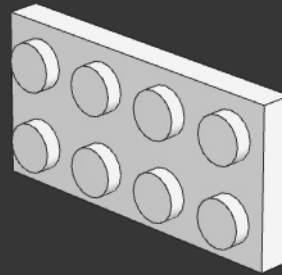
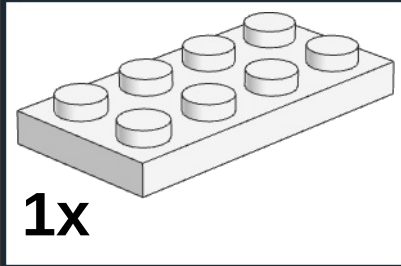
44



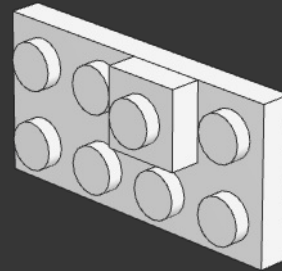
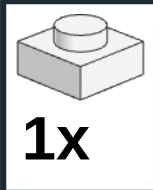
1x



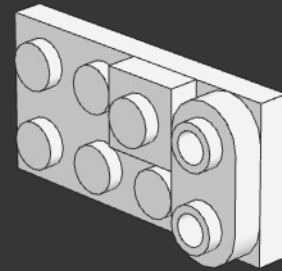
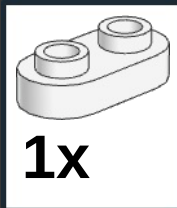
1



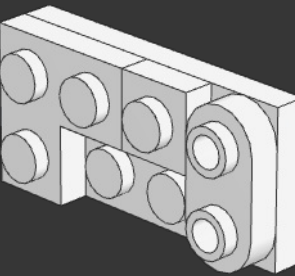
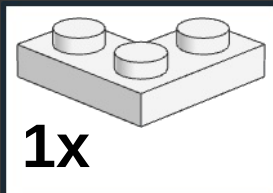
2



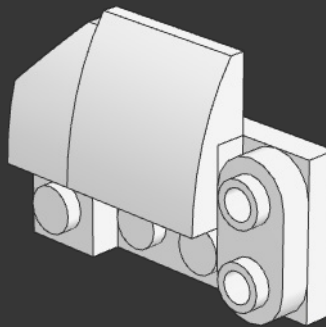
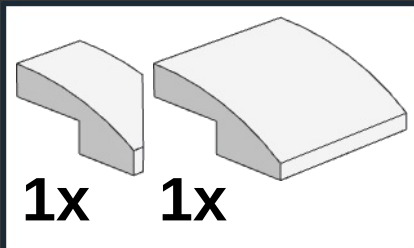
3



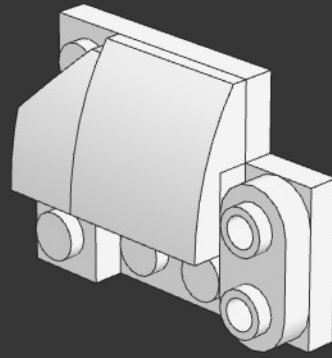
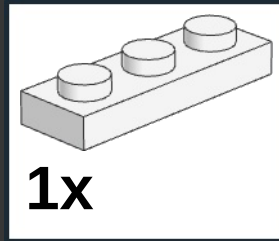
4



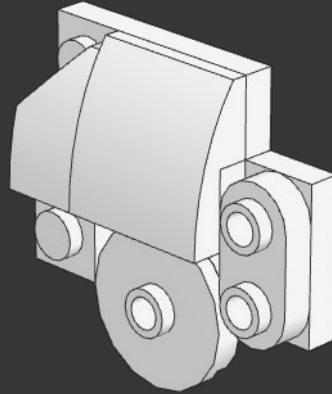
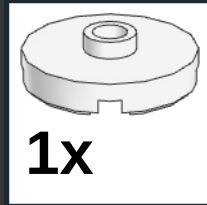
5



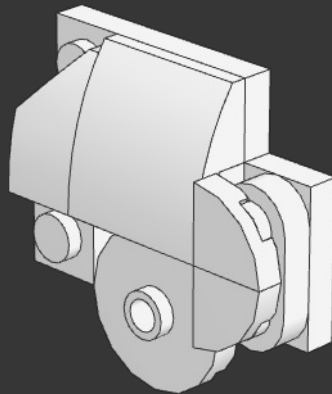
6



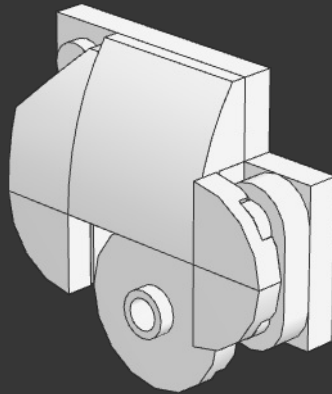
7



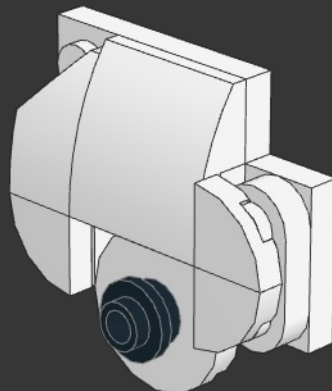
8

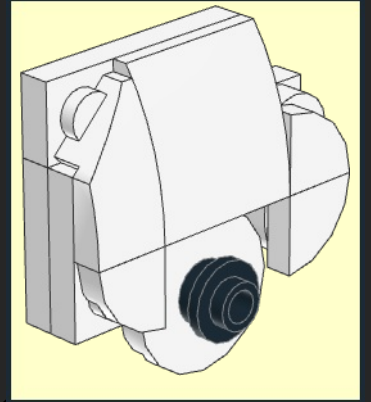
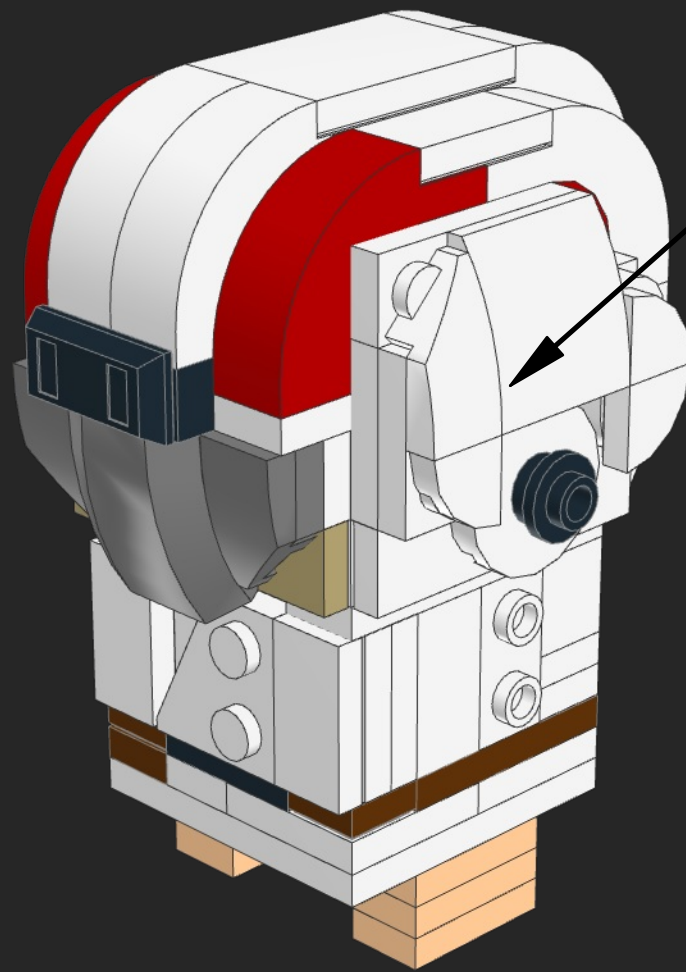


9

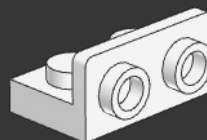
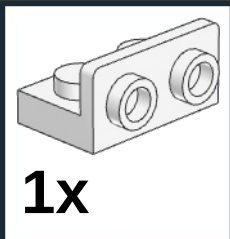


10

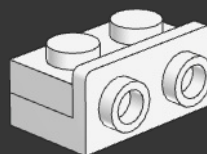
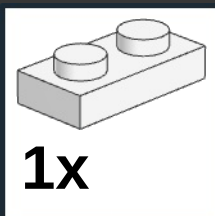




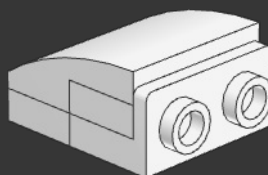
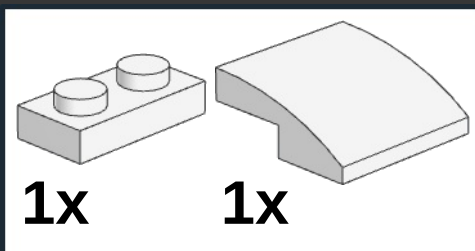
1



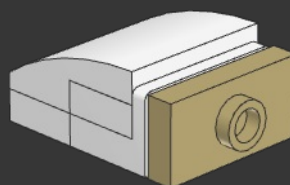
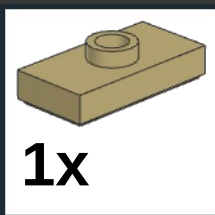
2



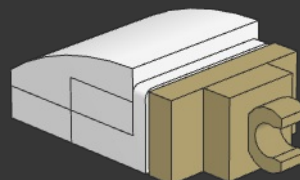
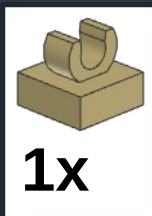
3



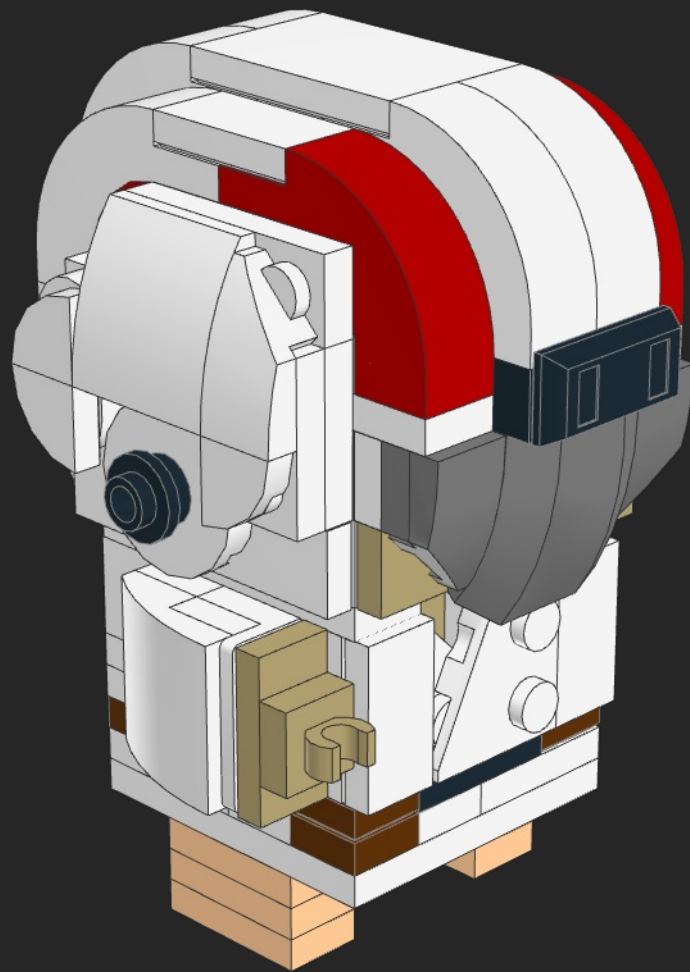
4

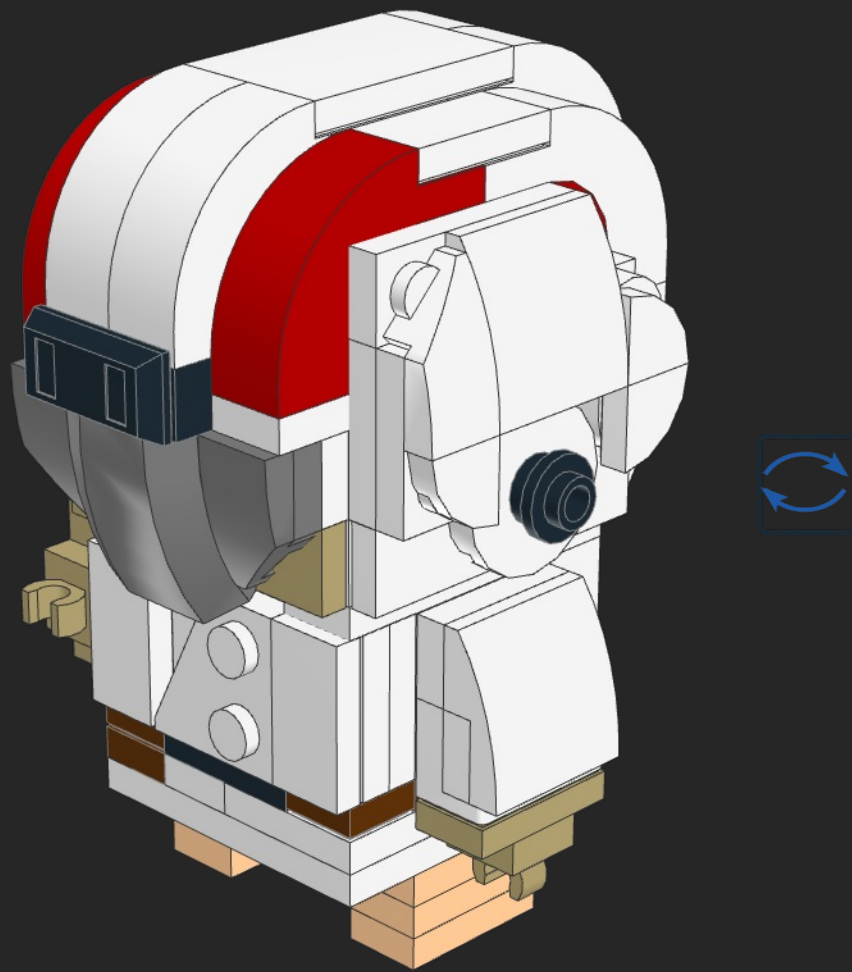


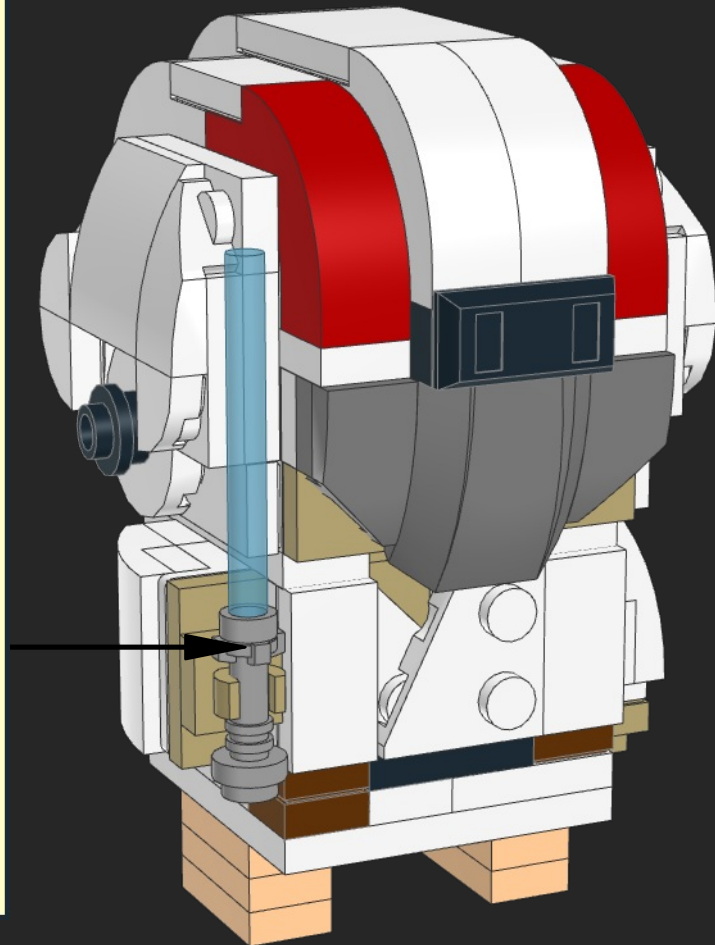
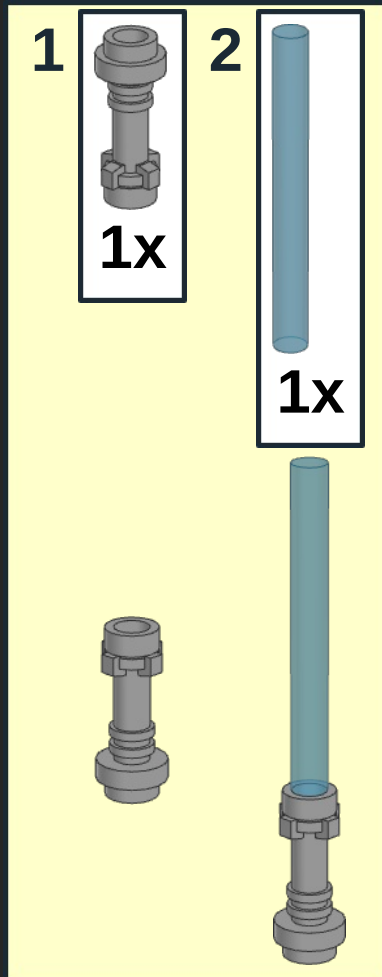
5

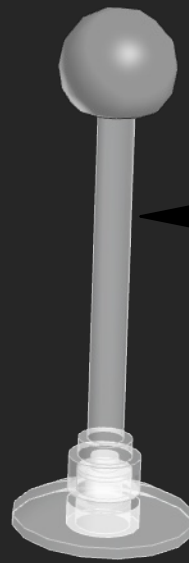
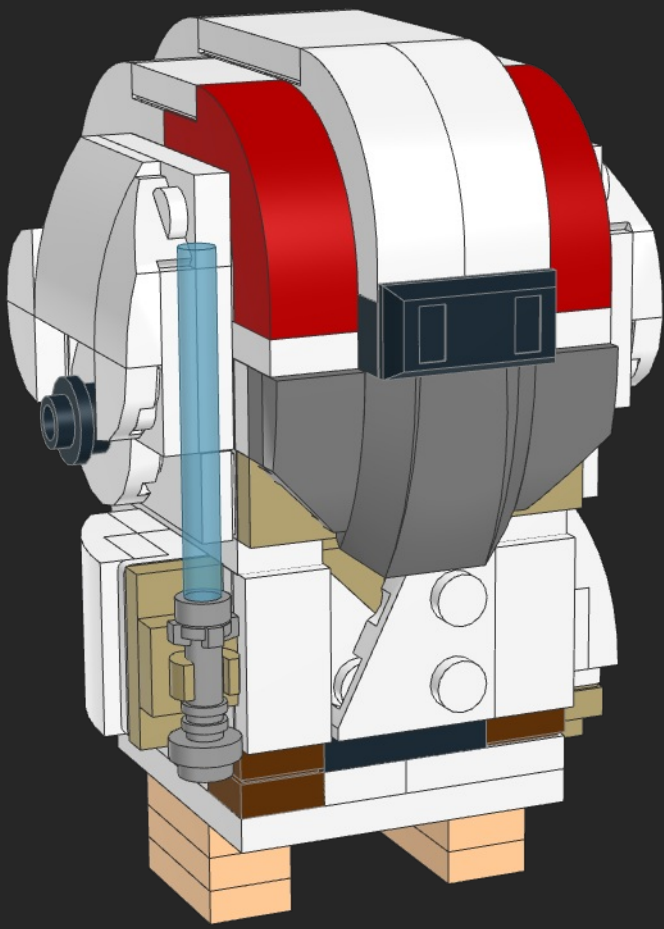


x2











1



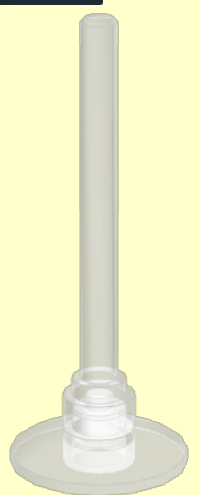
1x



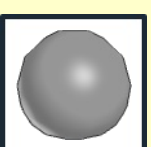
2



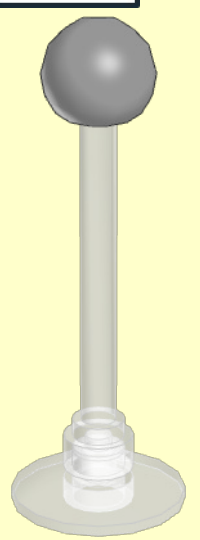
1x

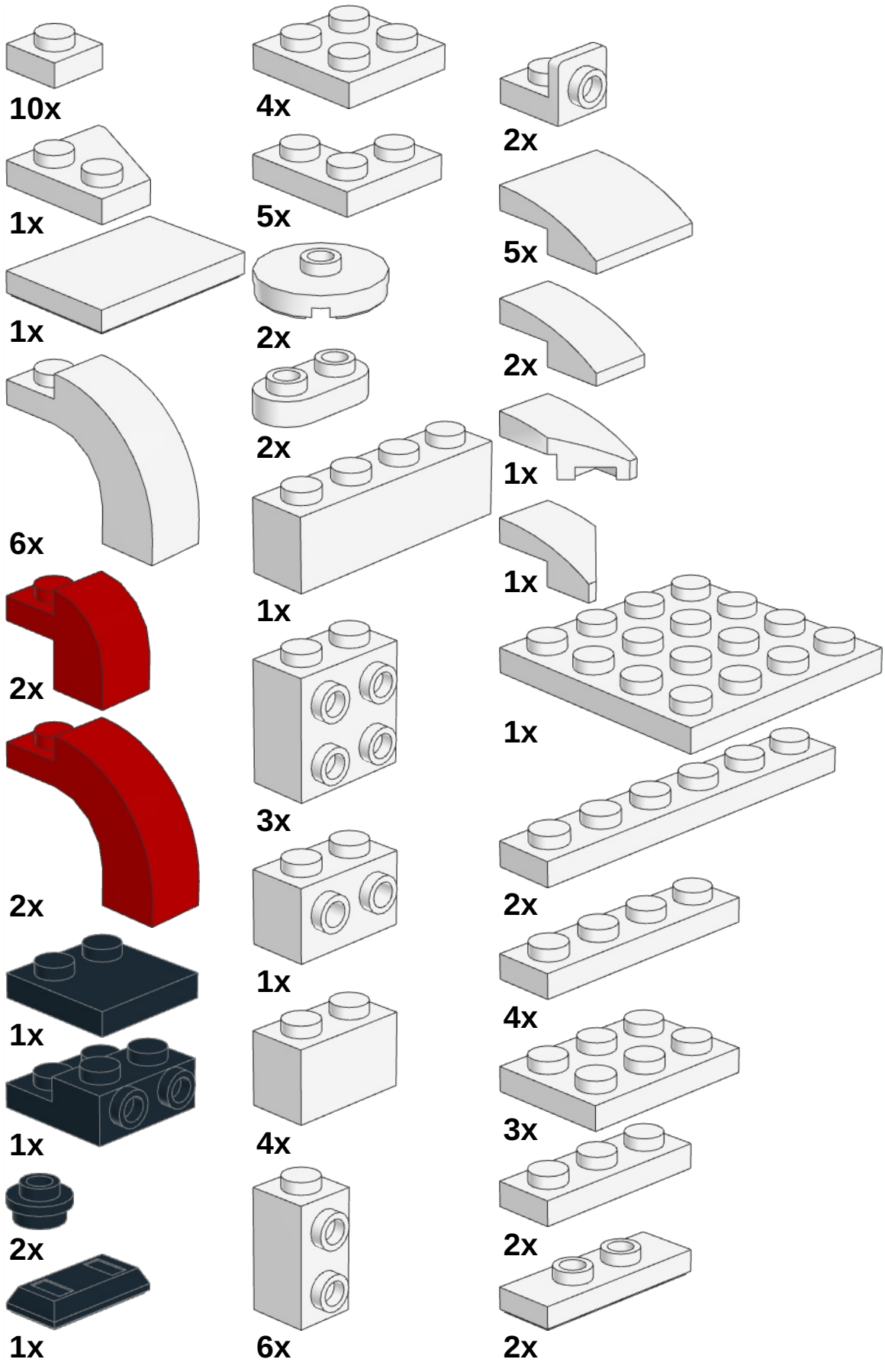


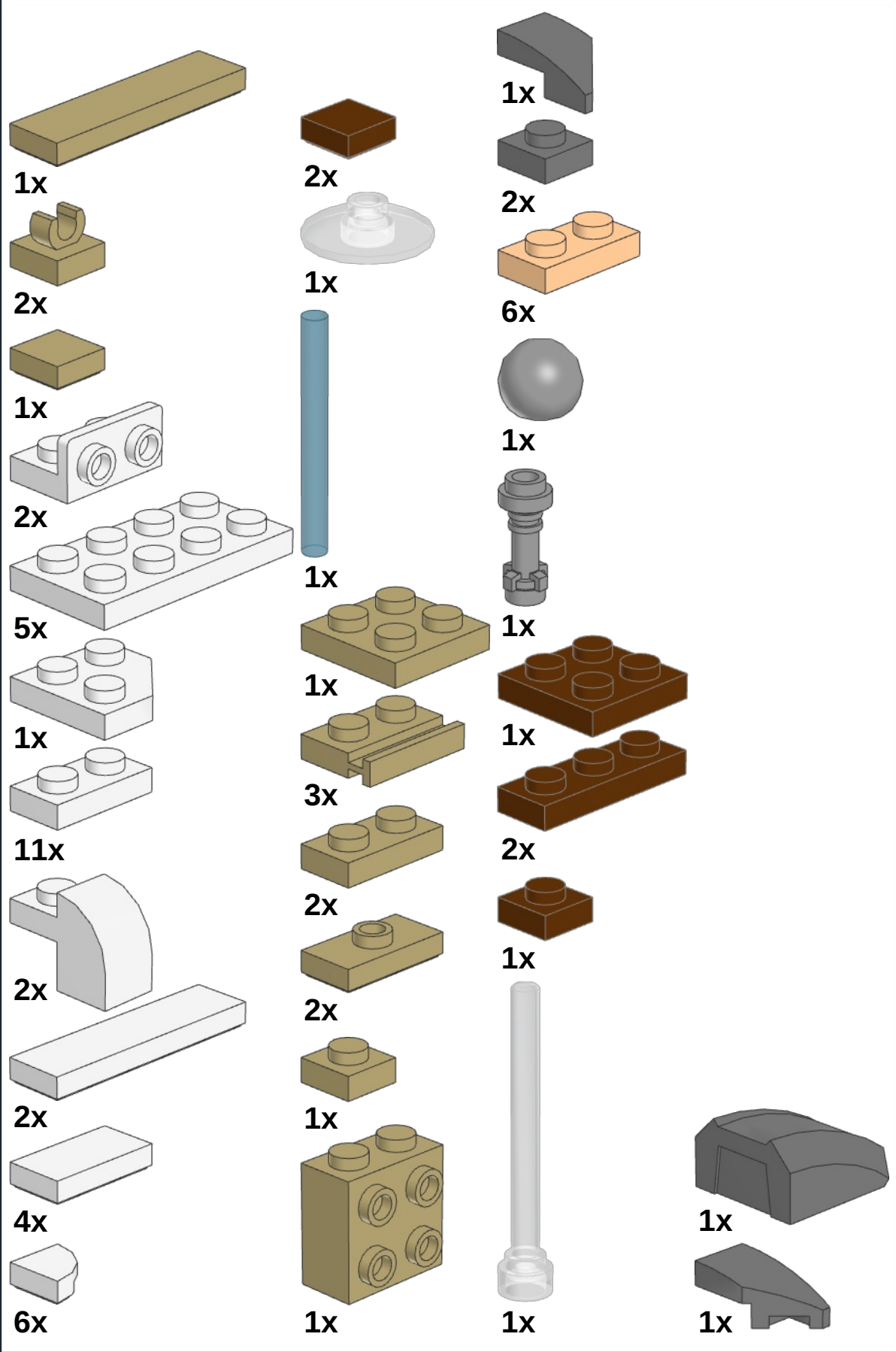
3



1x







Honorable mentions of contributors:

Teg12345



Hope you had fun with this model and instructions.

As always you can reach out to me via email:

birdbrickbuilds@gmail.com

You can also check my work on rebrickable and instagram:

<https://rebrickable.com/users/birdbrickbuilds/>

<https://www.instagram.com/birdbrickbuilds/>

If you wish to help me continue to make this models and instructions you can buy me a coffee to help me stay up late:

<https://www.buymeacoffee.com/birdbrickbl>

Or you can buy my Coffee Espresso MOC:

<https://reb.li/m/118798>

Or even you can buy my Beer Mug MOC:

<https://reb.li/m/137364>



This work is licensed under a [Creative Commons Attribution-NonCommercial-ShareAlike 4.0 International License](https://creativecommons.org/licenses/by-nc-sa/4.0/).