

Guitar Guy

A LEGO minifigure named 'Guitar Guy' is the central focus. It is built from tan, black, and grey bricks, featuring a black top with three circular studs, a tan face with two square eyes, and a black body with a white and black striped pattern. The minifigure is holding a tan guitar. The background is a vibrant, bokeh-filled scene of a concert stage with colorful spotlights in shades of blue, yellow, and orange. In the foreground, the silhouettes of a crowd of people are visible, with many hands raised in the air, suggesting a lively performance.

Model instructions

Bird Brick Builds

Author

Eduardo Sousa

181 parts



Attribution-NonCommercial-ShareAlike 4.0 International (CC BY-NC-SA 4.0)

This is a human-readable summary of (and not a substitute for) the [license](#). [Disclaimer](#).

You are free to:

Share — copy and redistribute the material in any medium or format

Adapt — remix, transform, and build upon the material

The licensor cannot revoke these freedoms as long as you follow the license terms.

Under the following terms:



Attribution — You must give [appropriate credit](#), provide a link to the license, and [indicate if changes were made](#). You may do so in any reasonable manner, but not in any way that suggests the licensor endorses you or your use.



NonCommercial — You may not use the material for [commercial purposes](#).



ShareAlike — If you remix, transform, or build upon the material, you must distribute your contributions under the [same license](#) as the original.

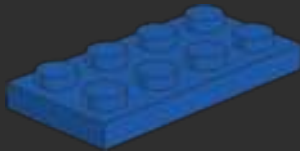
No additional restrictions — You may not apply legal terms or [technological measures](#) that legally restrict others from doing anything the license permits.

Notices:

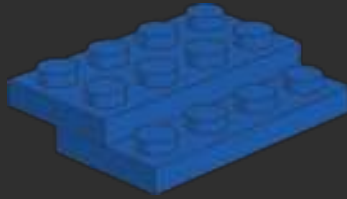
You do not have to comply with the license for elements of the material in the public domain or where your use is permitted by an applicable [exception or limitation](#).

No warranties are given. The license may not give you all of the permissions necessary for your intended use. For example, other rights such as [publicity, privacy, or moral rights](#) may limit how you use the material.

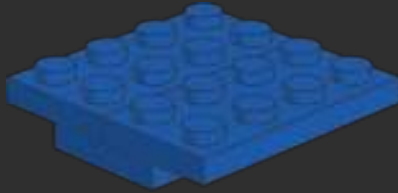
1



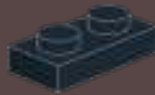
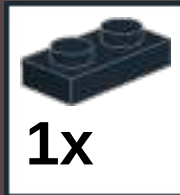
2



3



1

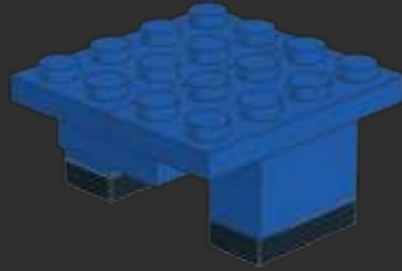


2

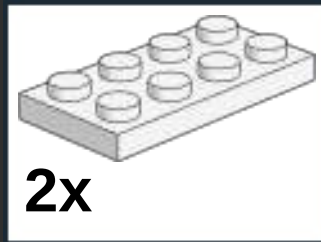


x2

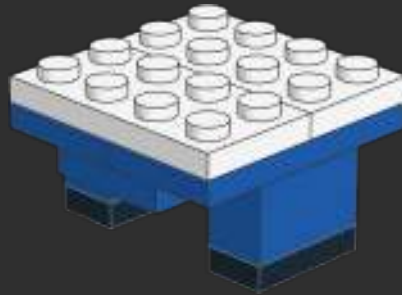
4



5



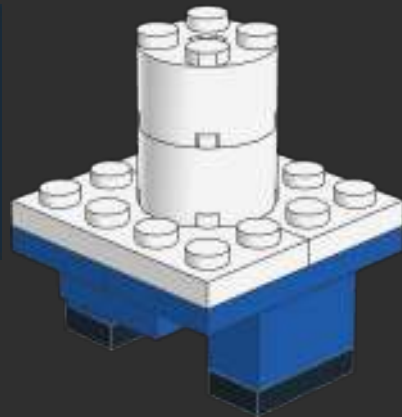
2x



6



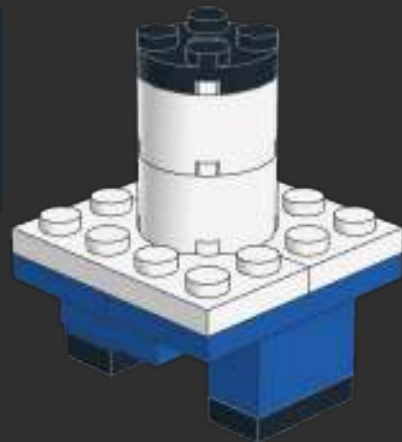
2x



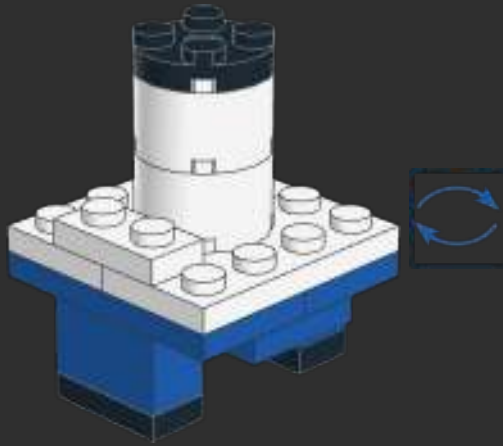
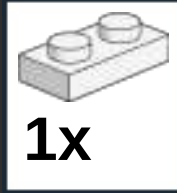
7



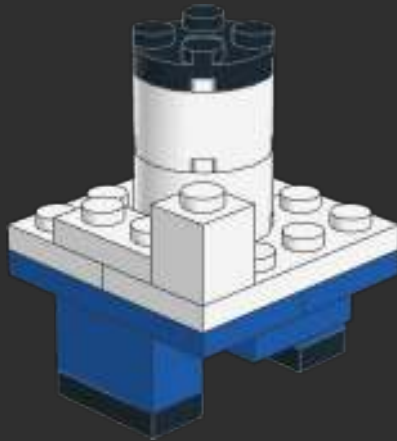
1x



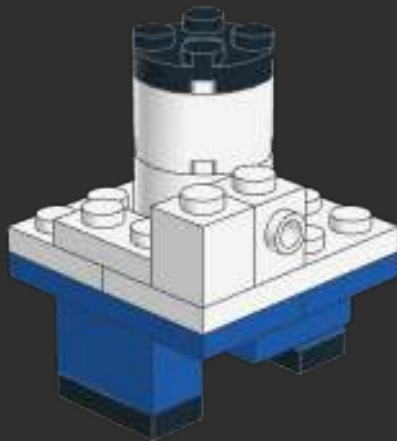
8



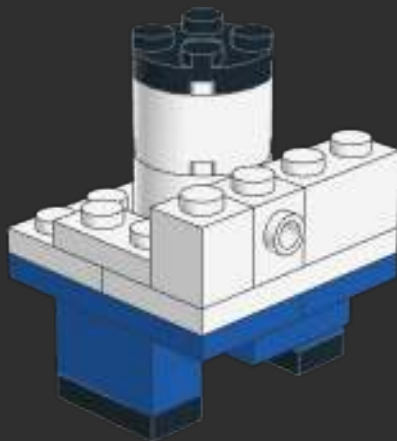
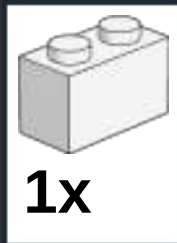
9



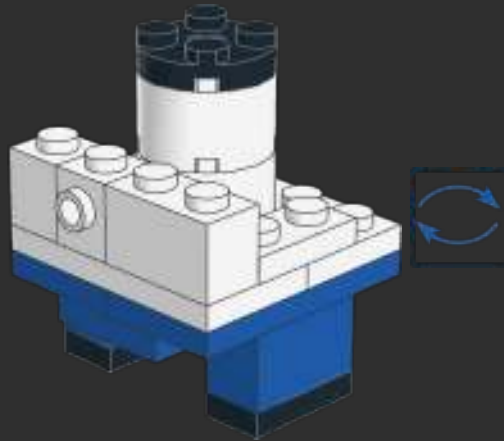
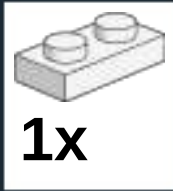
10



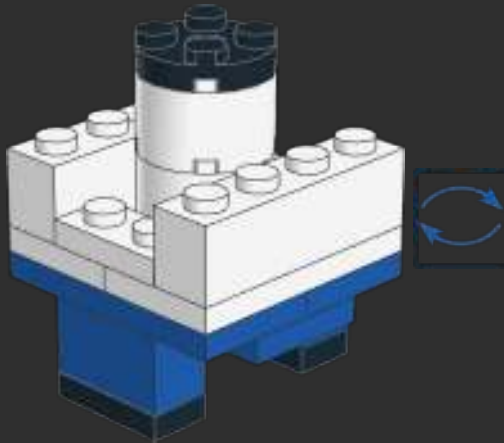
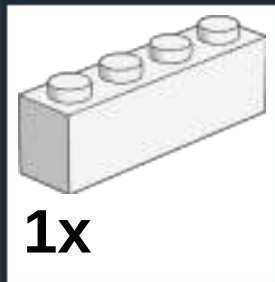
11



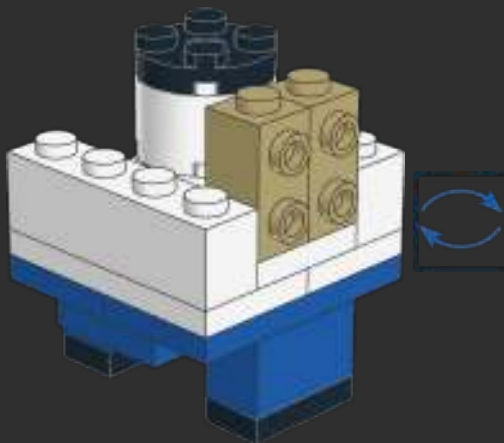
12



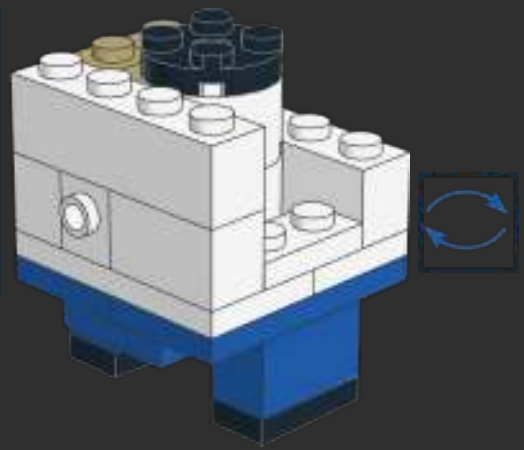
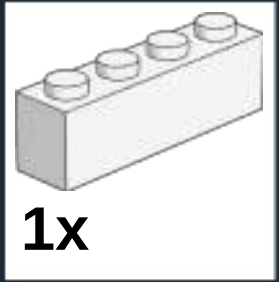
13



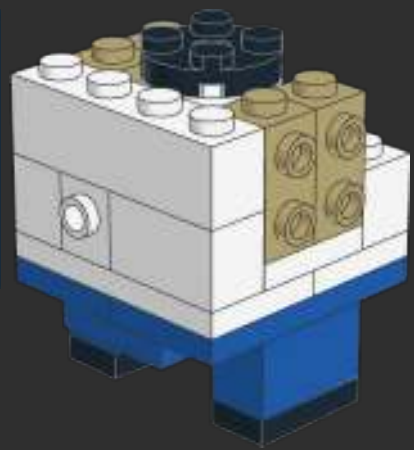
14



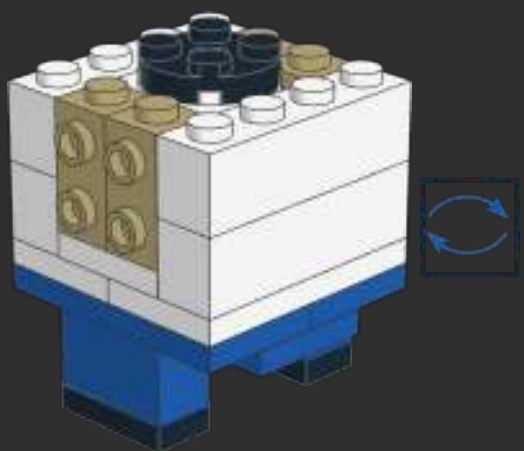
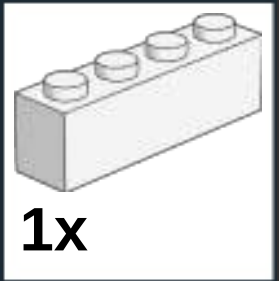
15



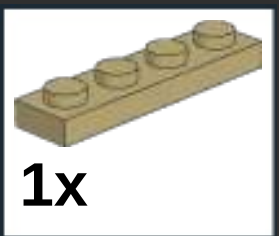
16



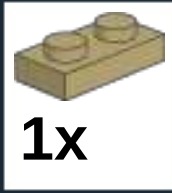
17



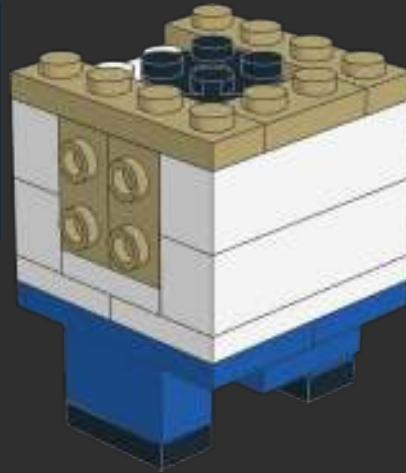
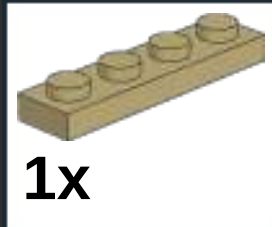
18



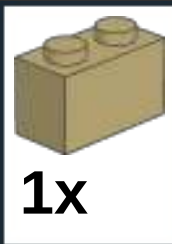
19



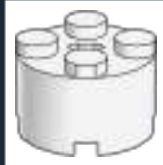
20



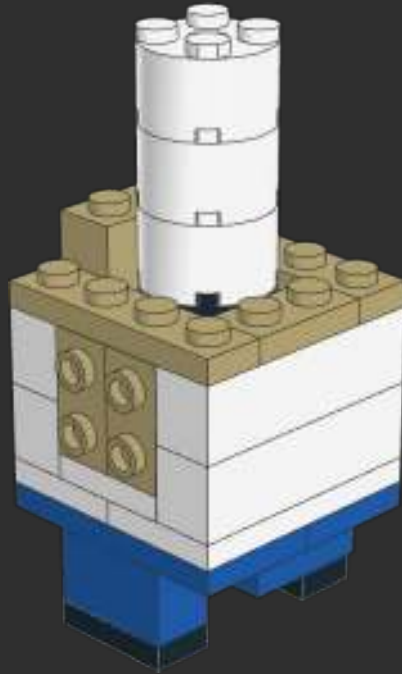
21



22



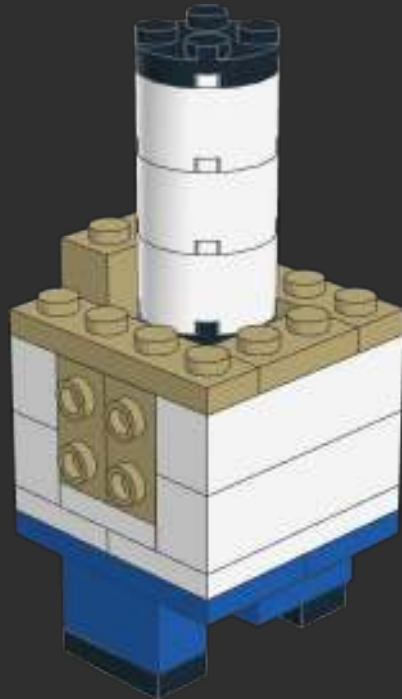
3x



23



1x



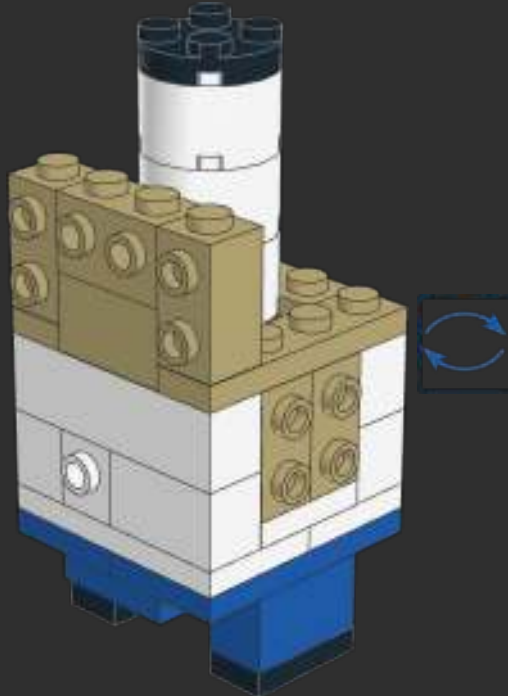
24



1x



2x



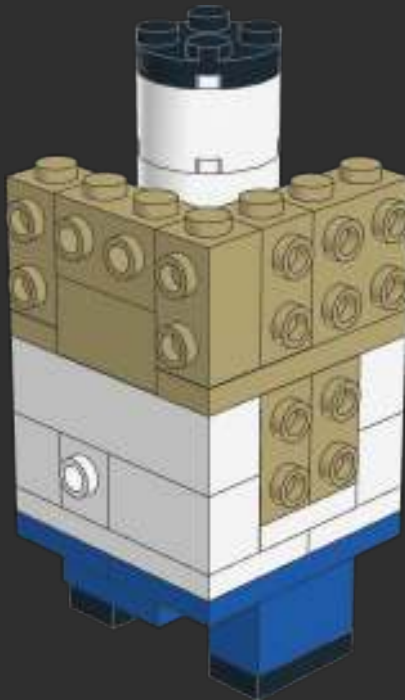
25



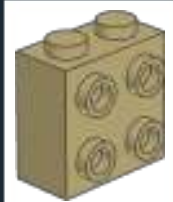
1x



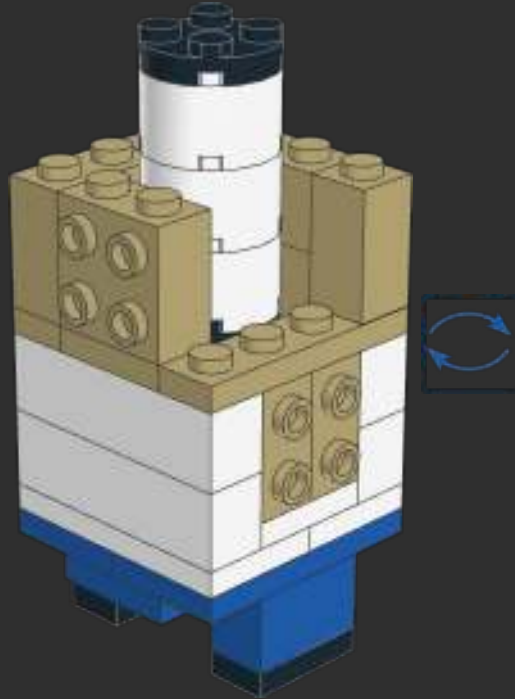
1x



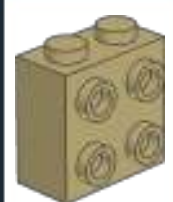
26



1x



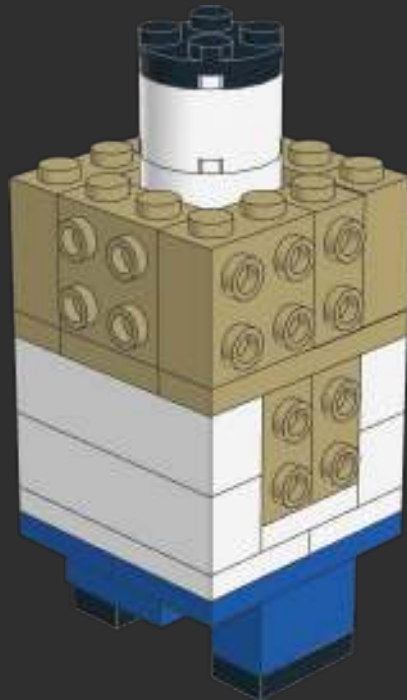
27



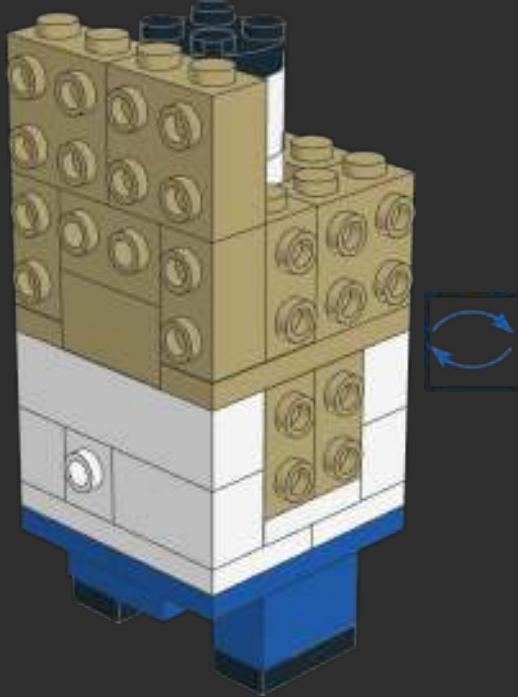
1x



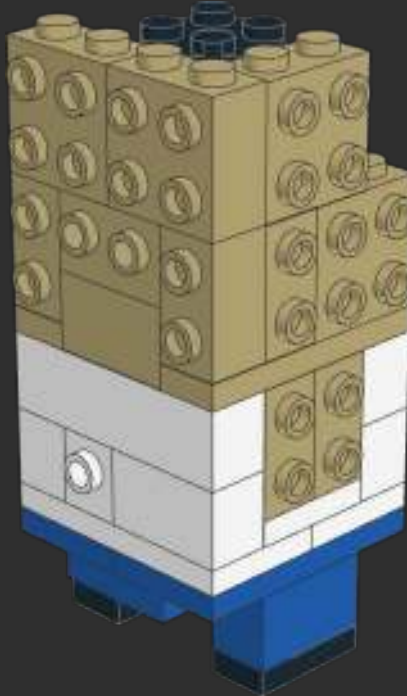
1x



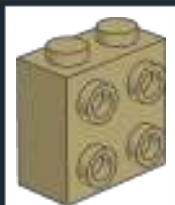
28



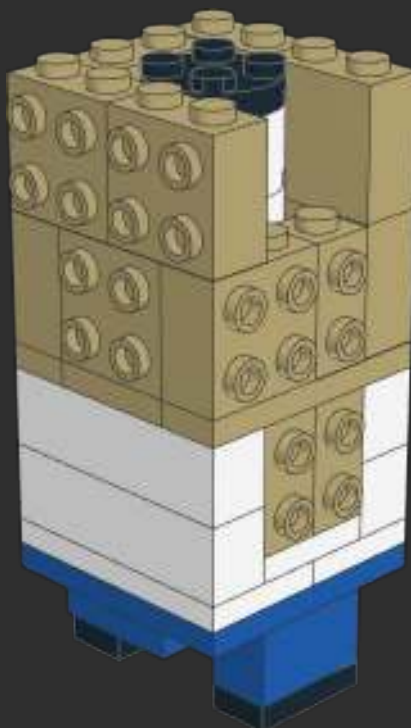
29



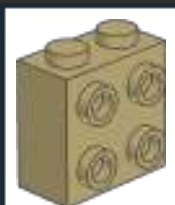
30



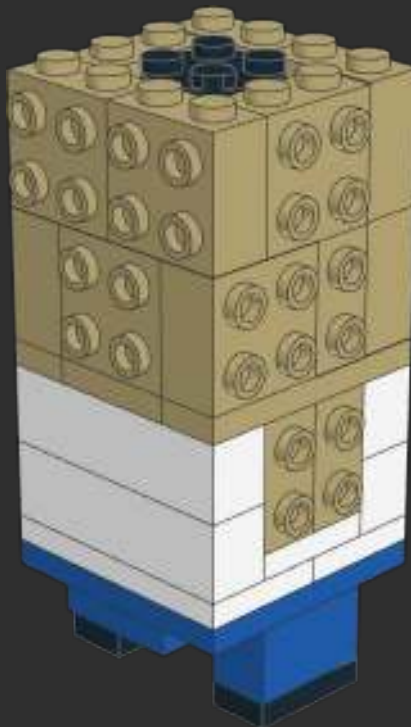
2x

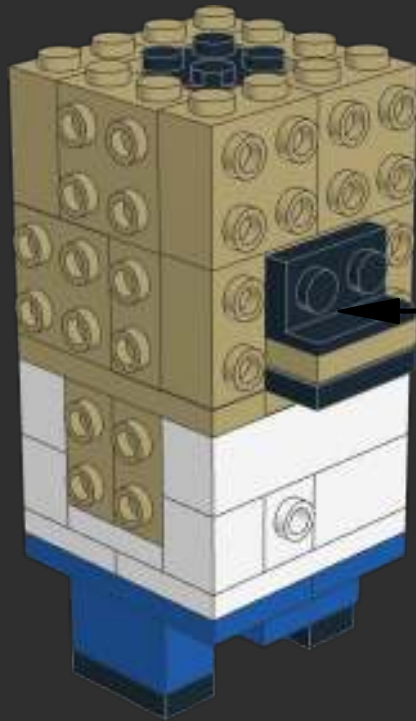


31



1x





1



1x



2



1x



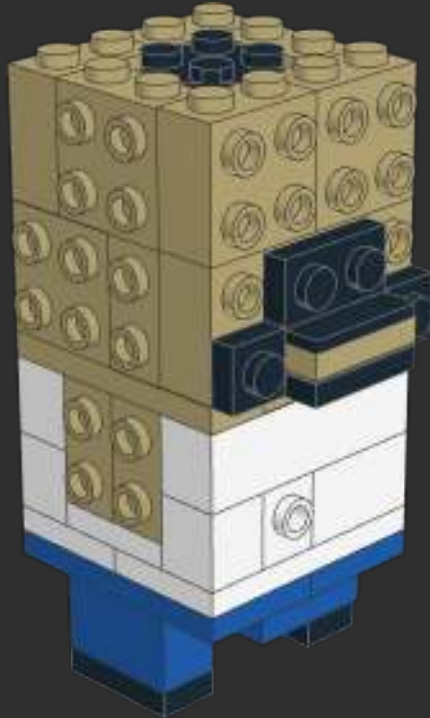
3




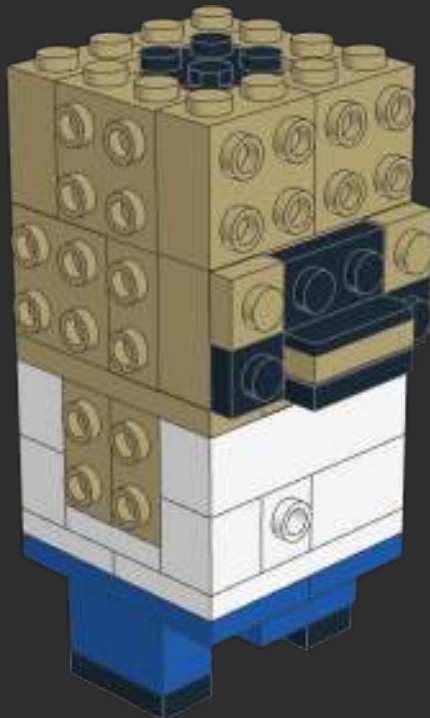
1x



33 
2x



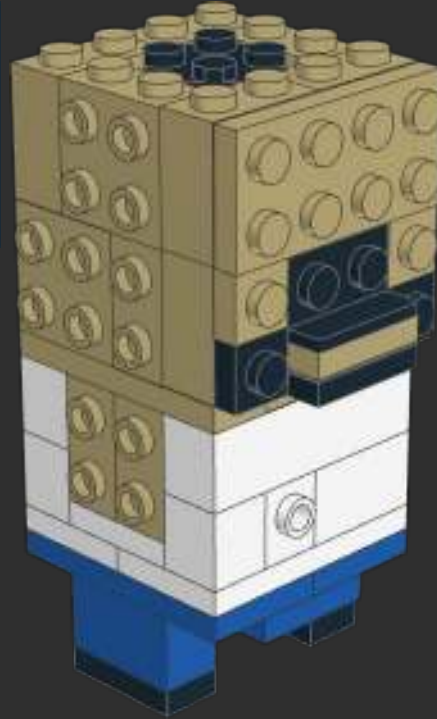
34 
2x



35



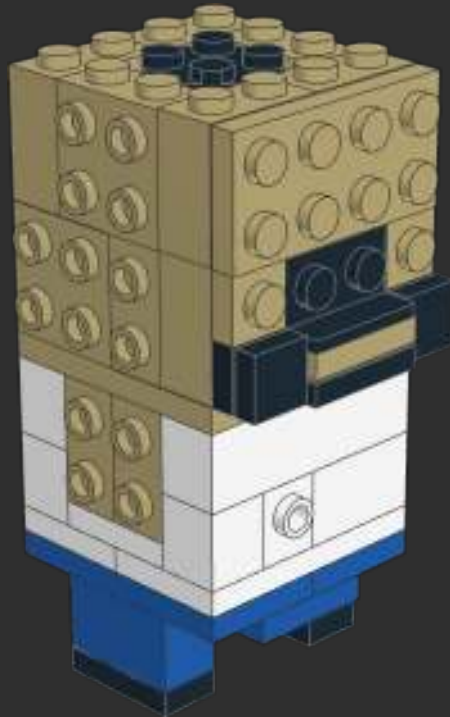
1x



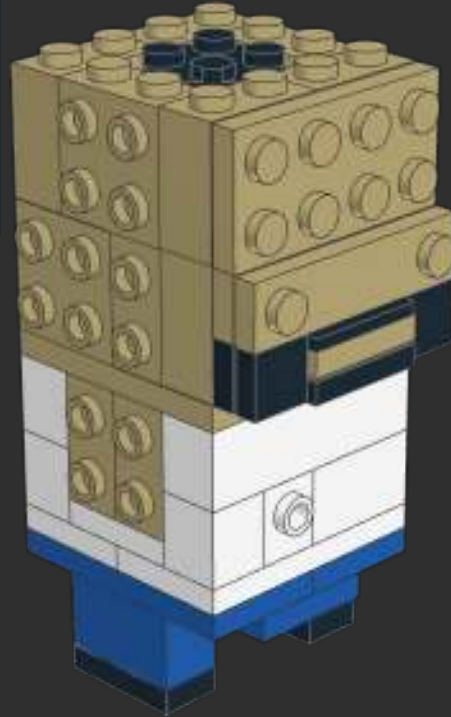
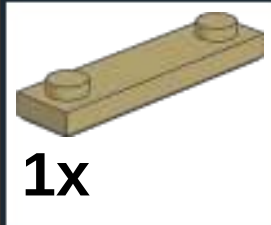
36



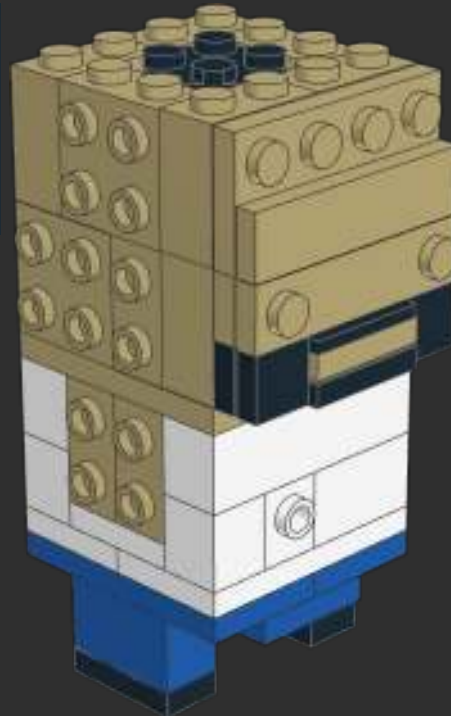
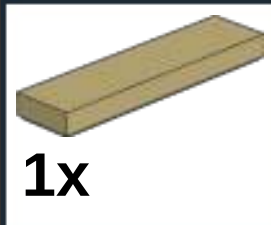
2x



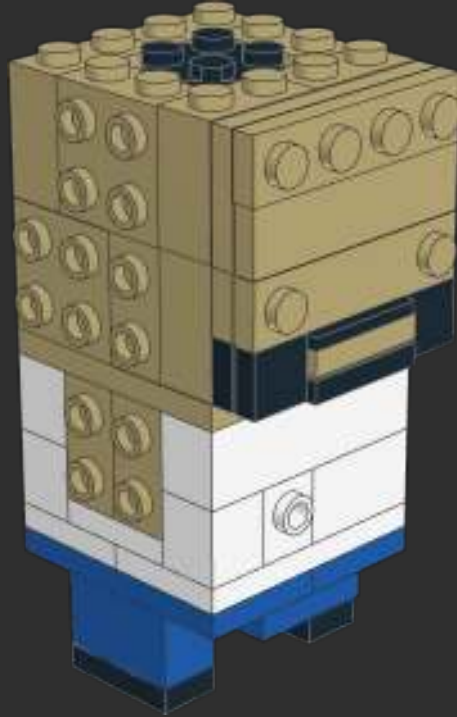
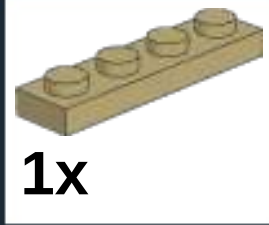
37



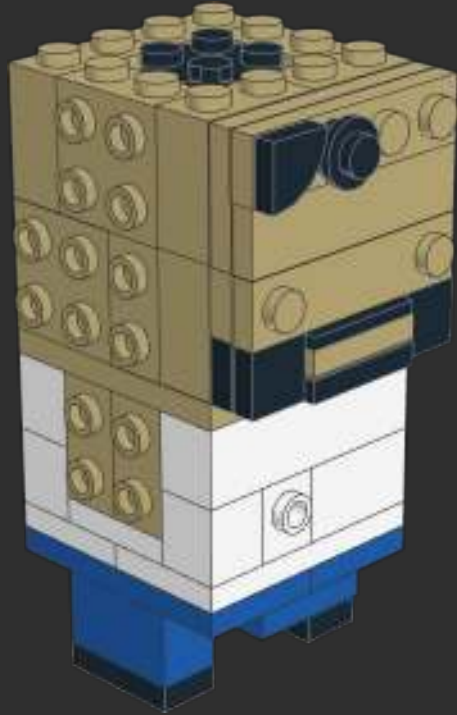
38



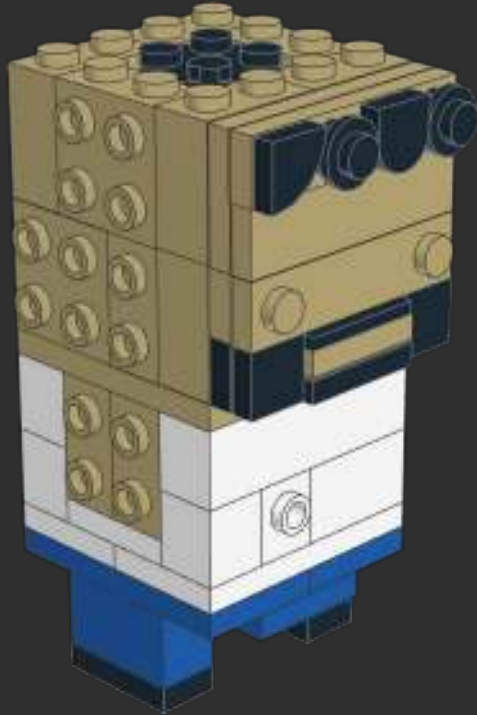
39



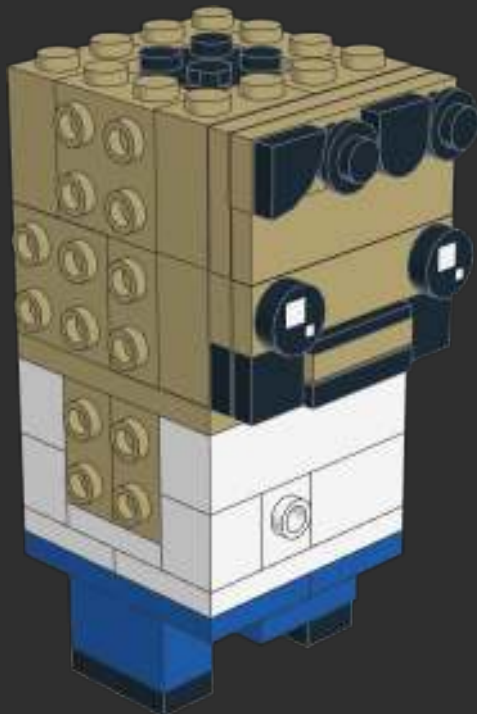
40



41



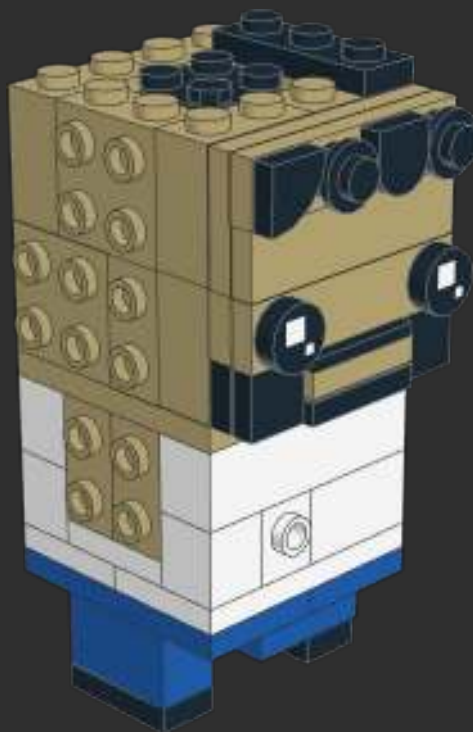
42



43



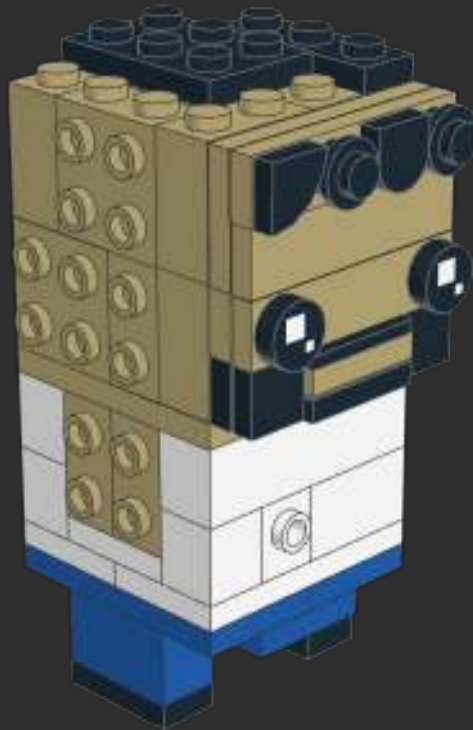
1x



44



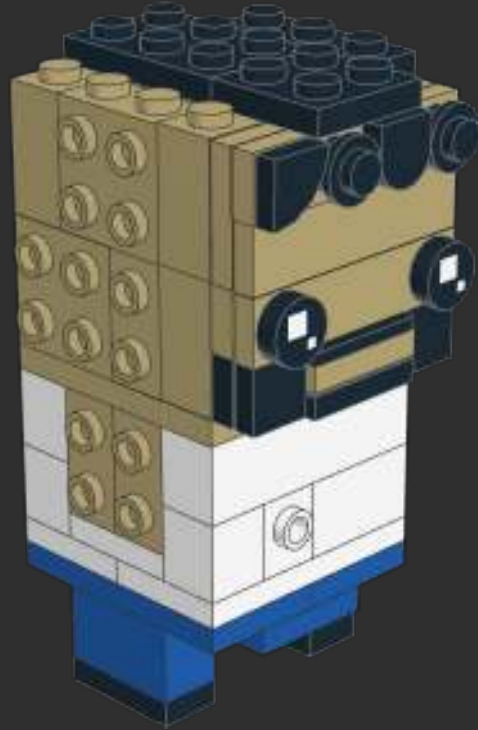
1x



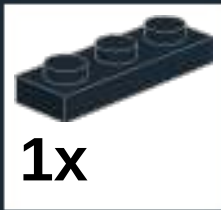
45



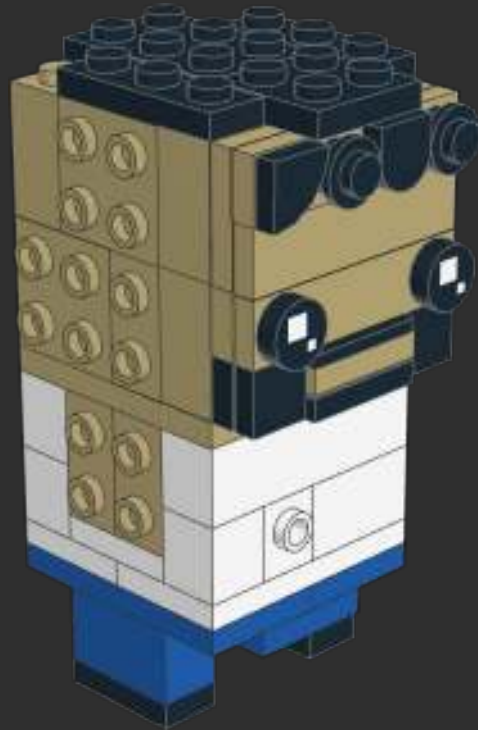
1x



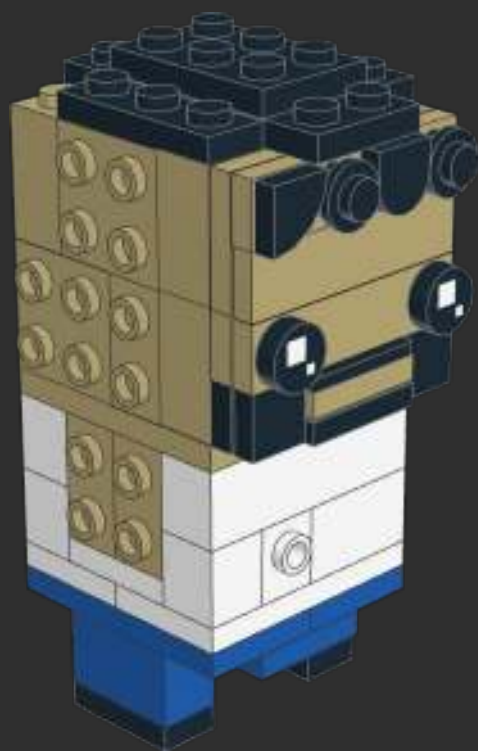
46




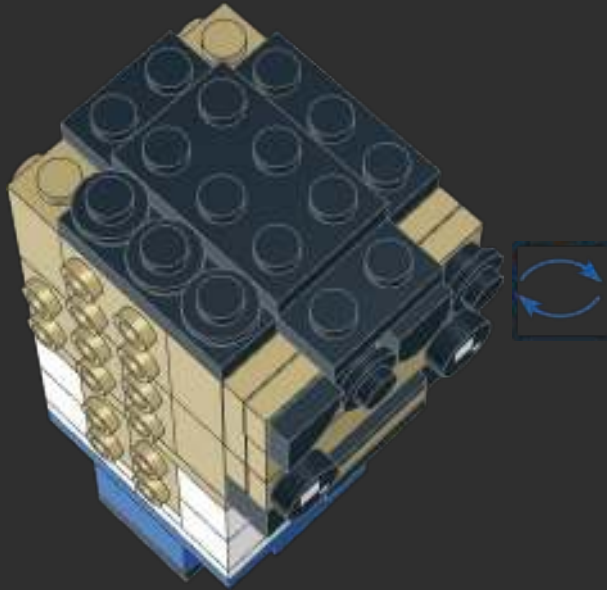
1x



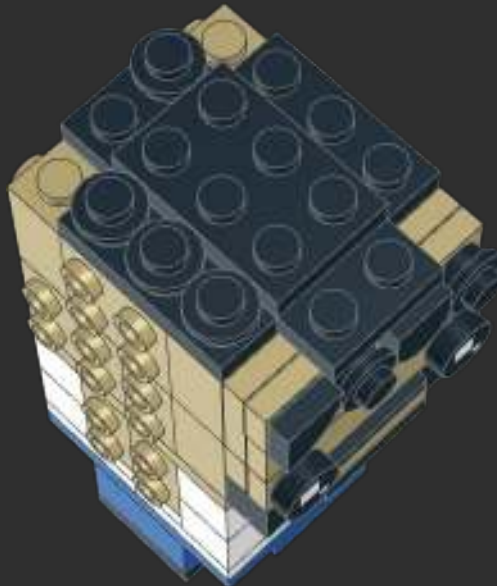
47




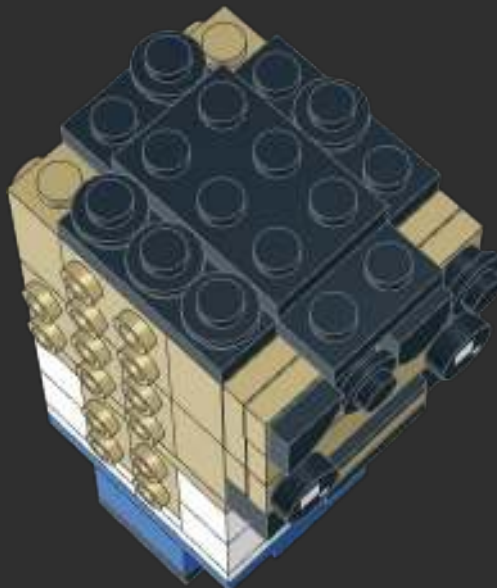
48  3x



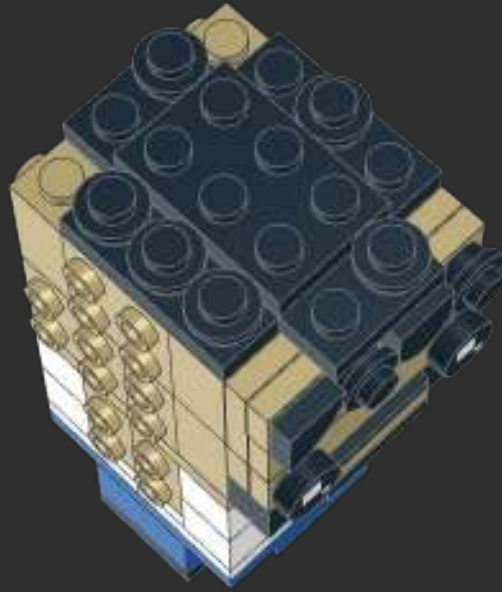
49  1x



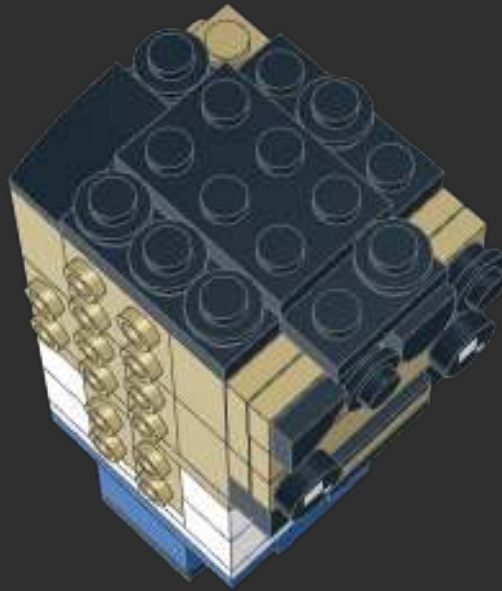
50  1x



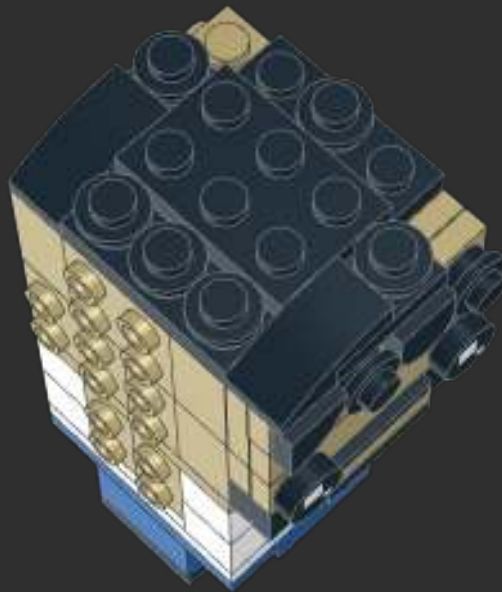
51 
1x



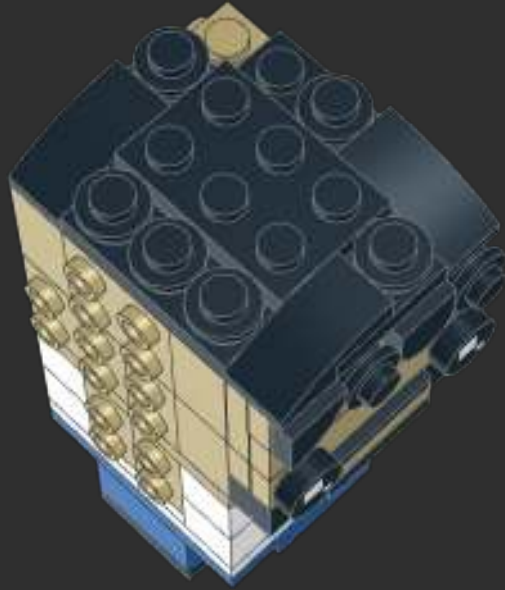
52 
1x



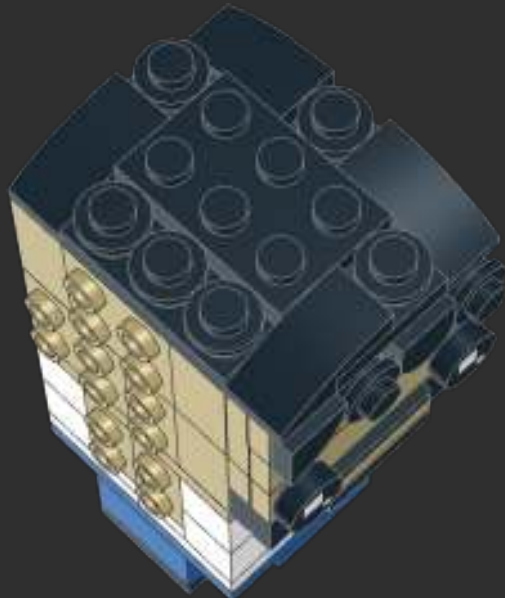
53 
1x



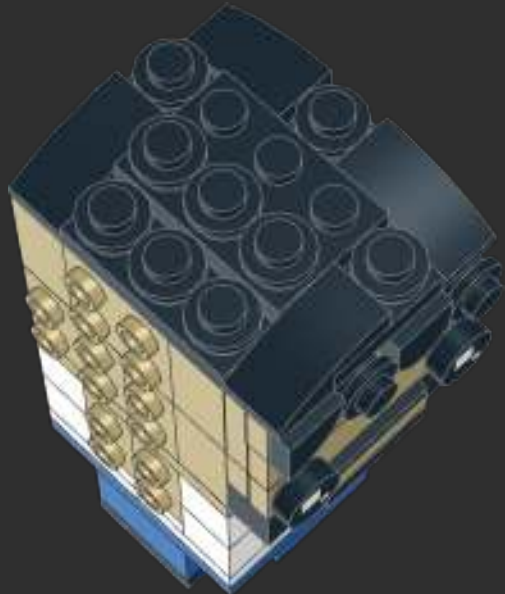
54




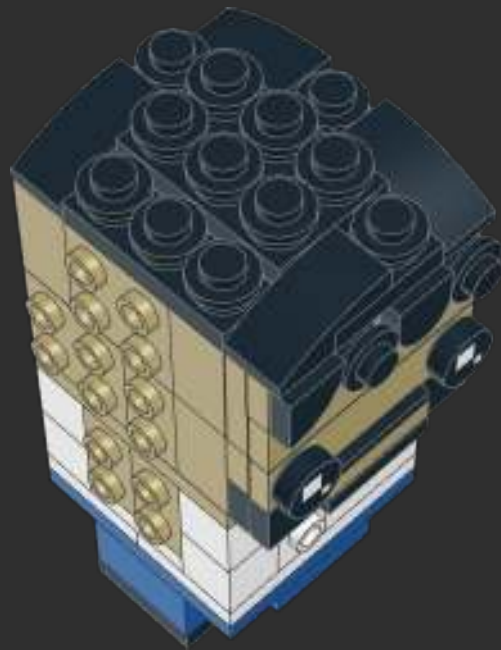
55



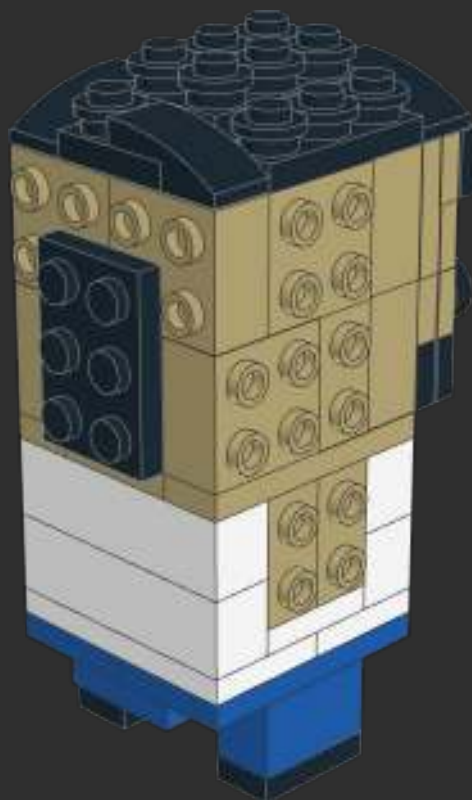
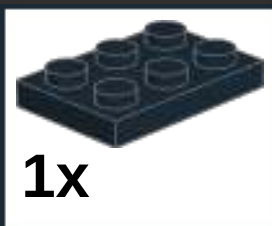
56



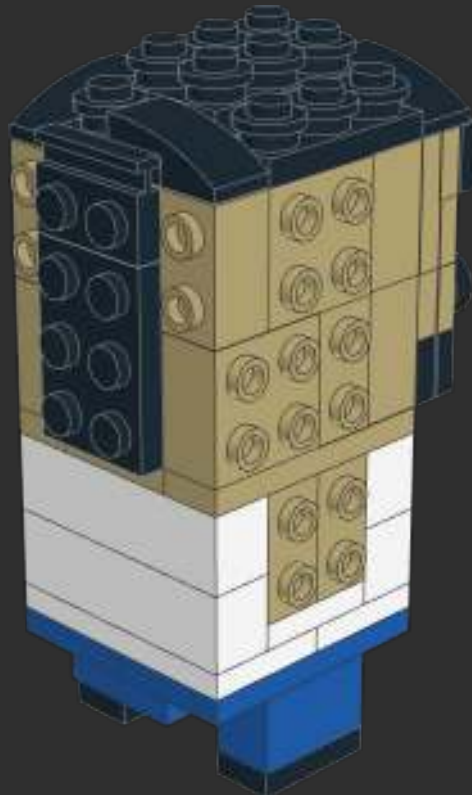
57 
3x



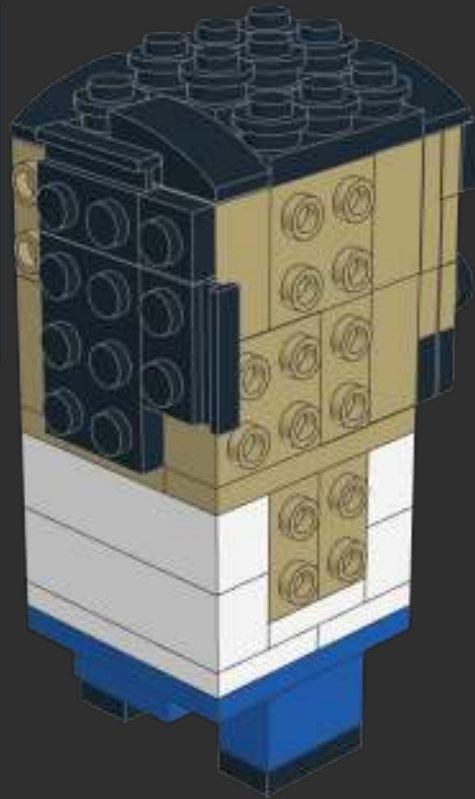
58



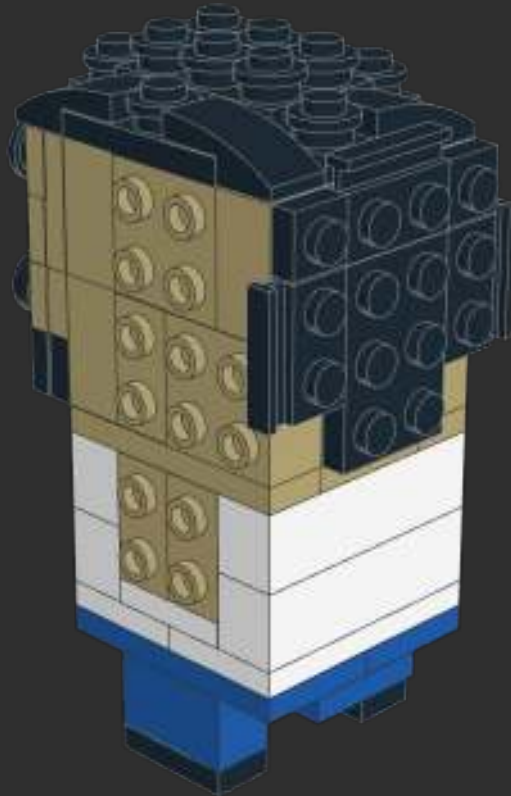
59



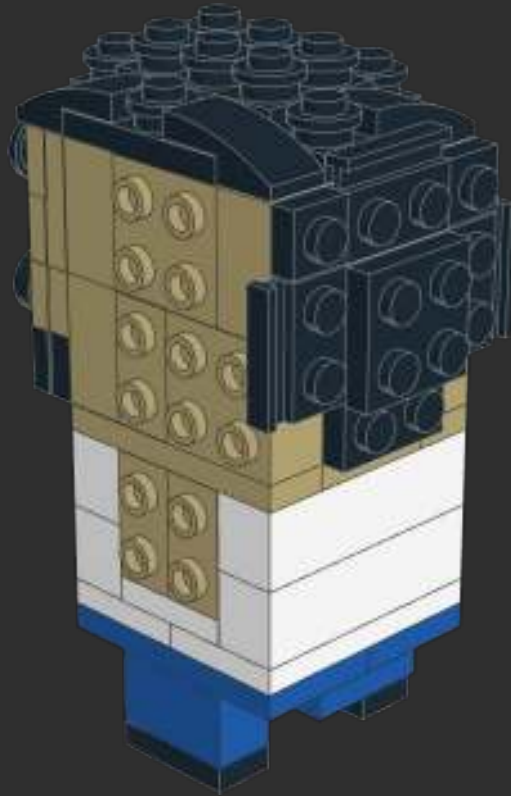
60



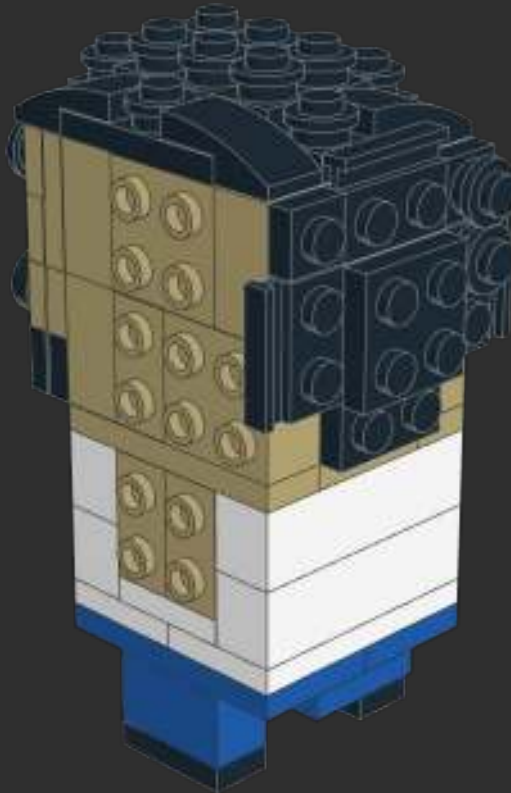
61



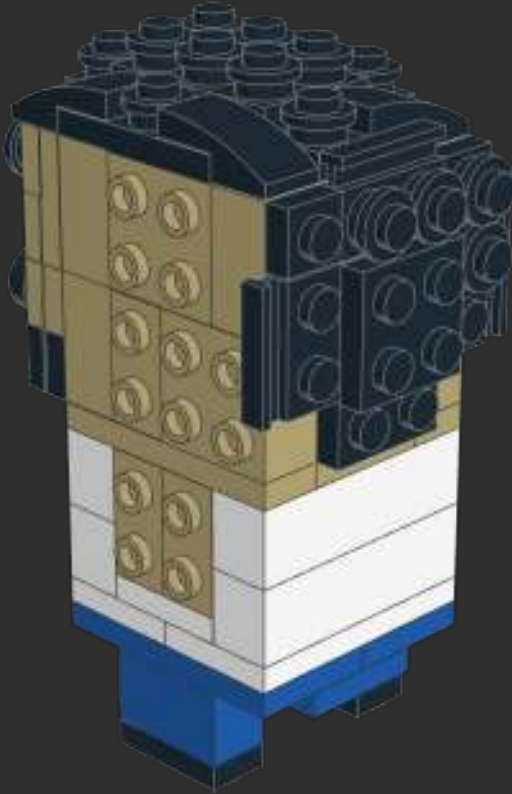
62




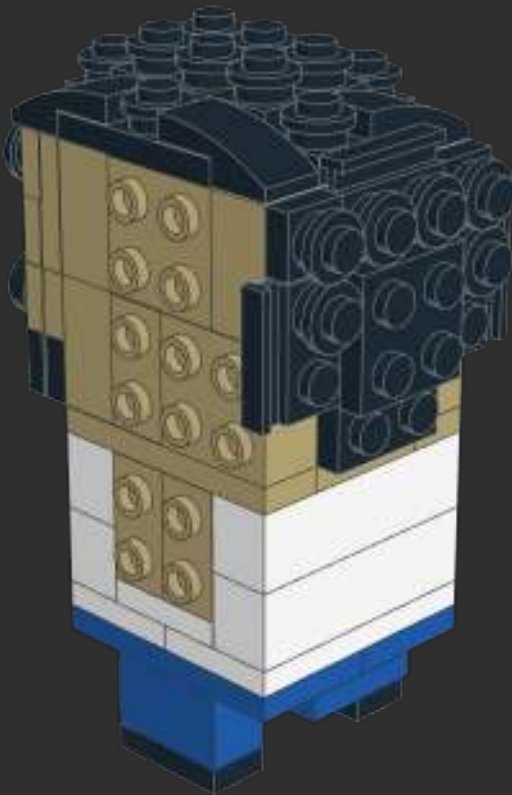
63



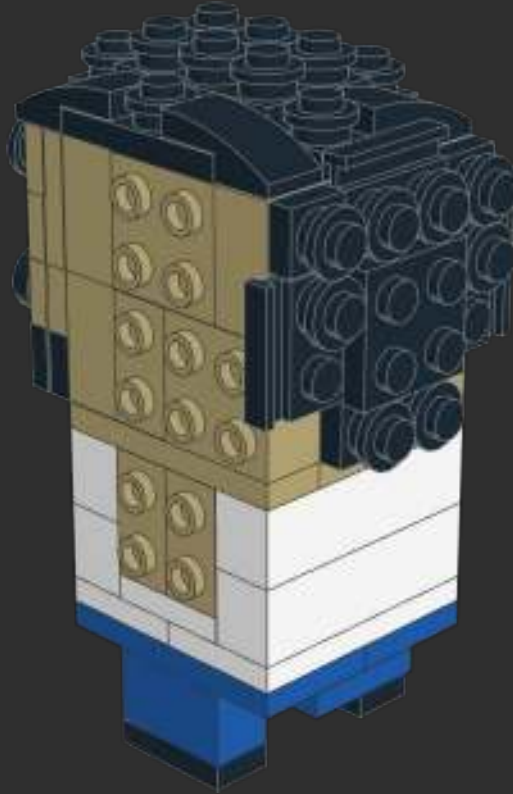
64 
2x



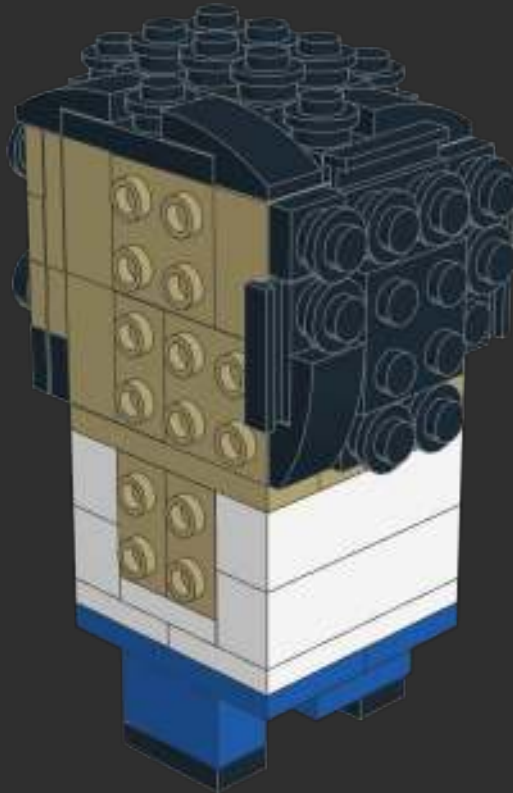
65 
2x



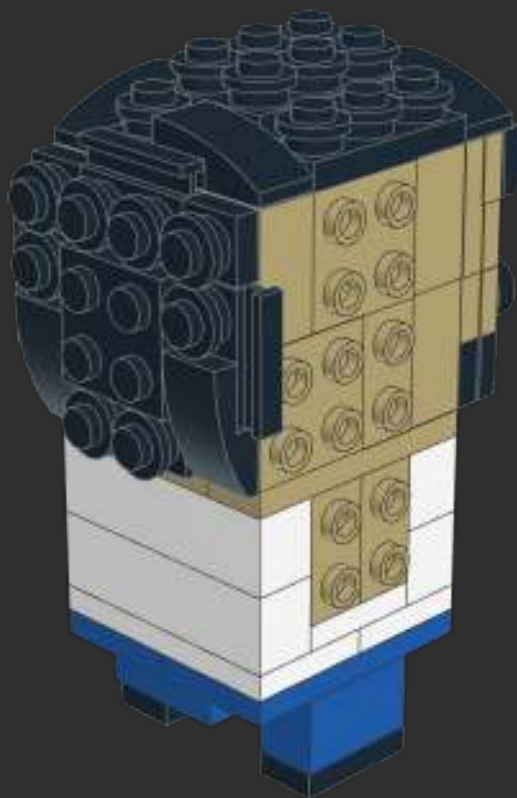
66 
2x



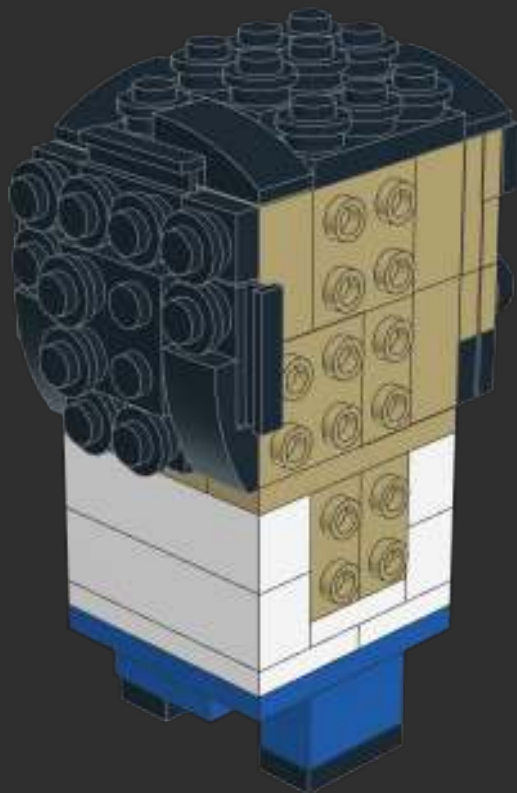
67 
1x



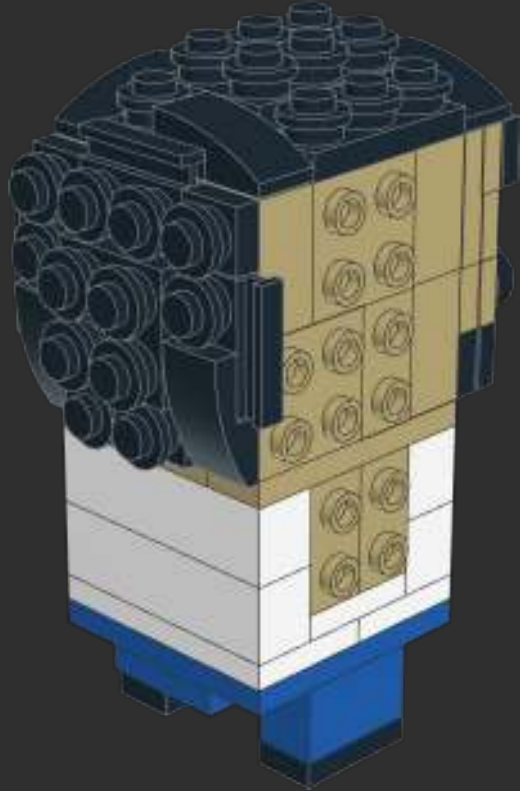
68



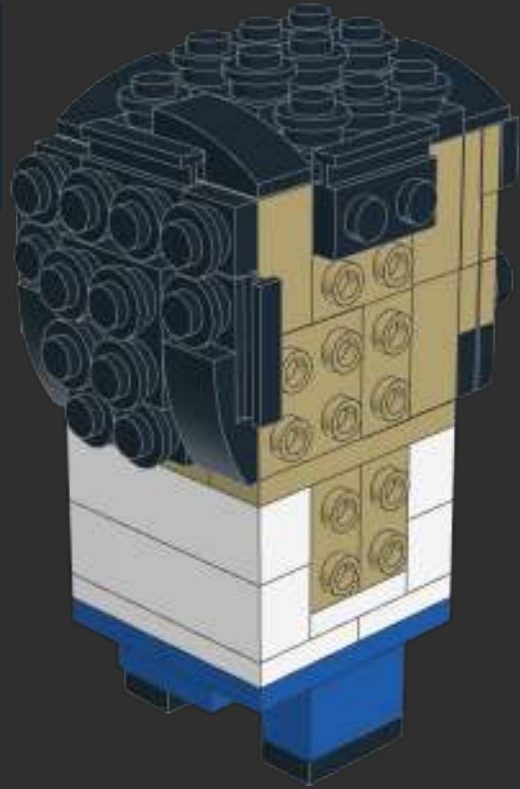
69



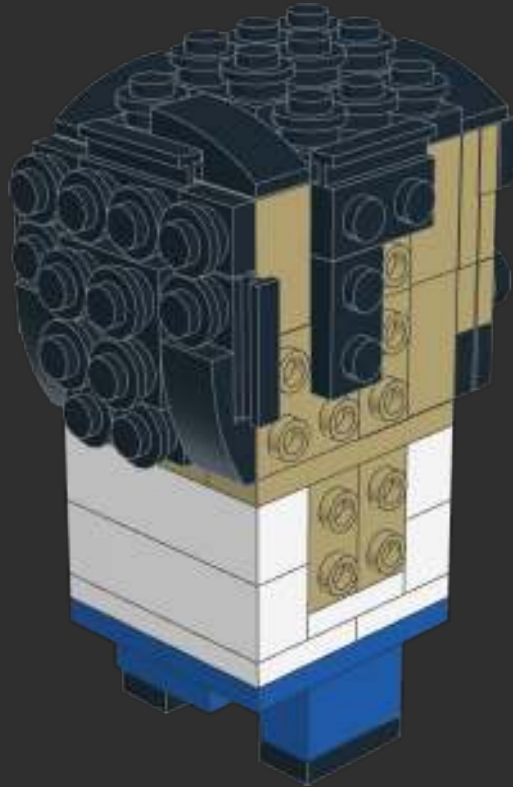
70  2x



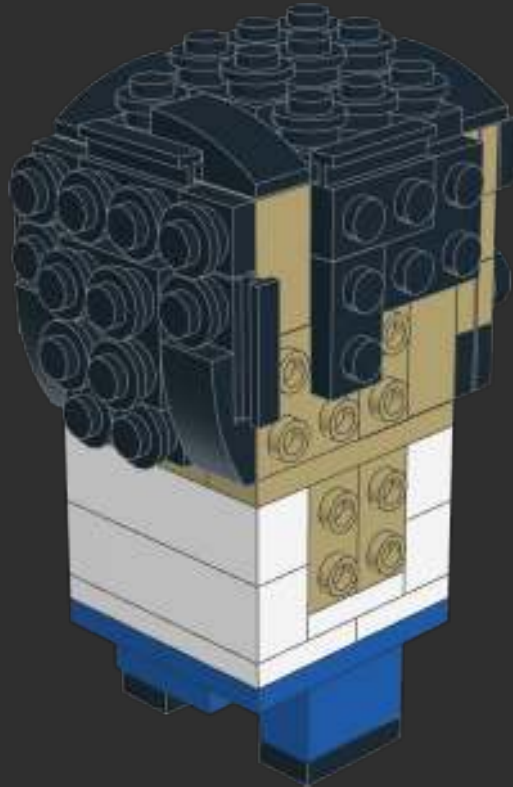
71  1x



72



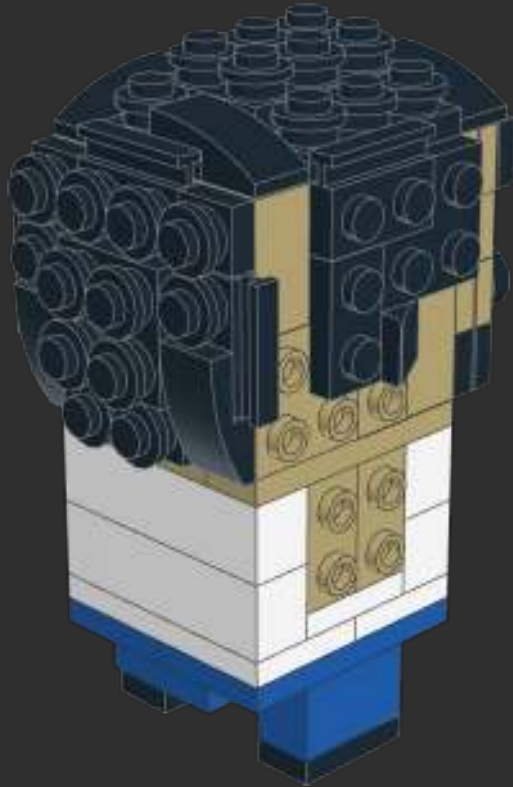
73



74



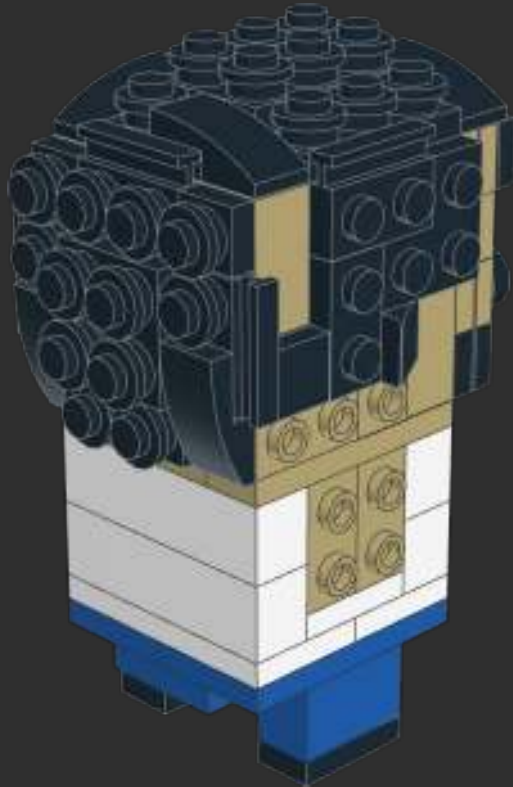
1x



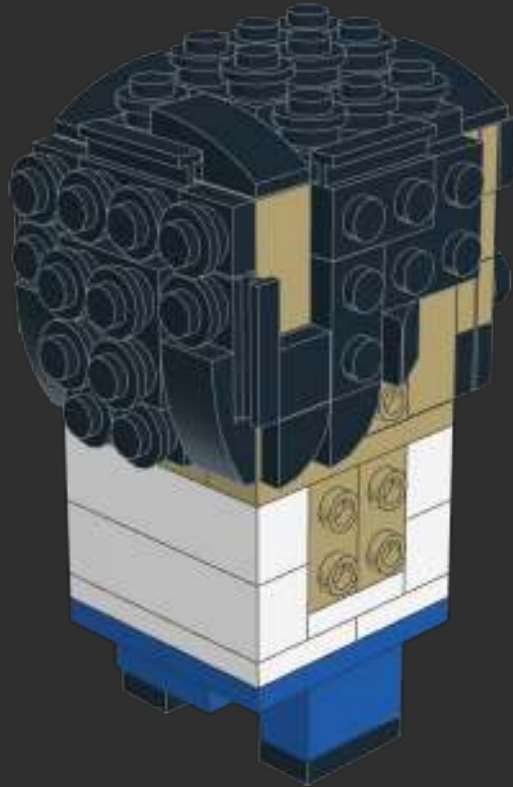
75




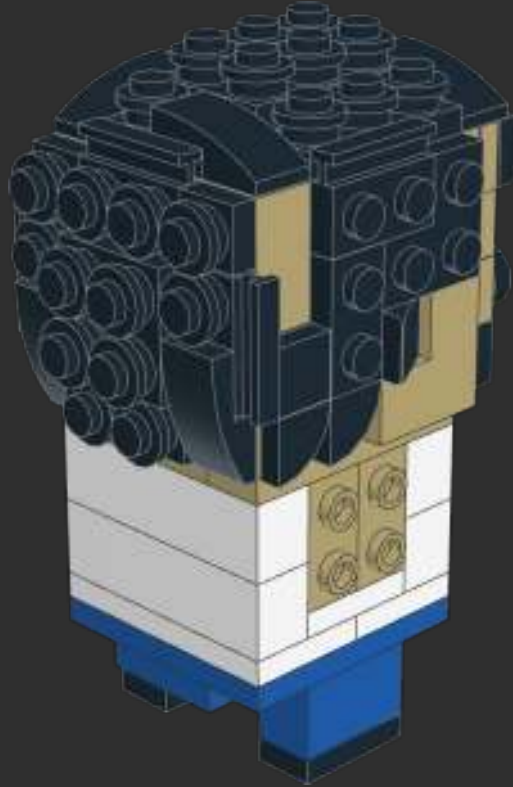
1x



76 
2x



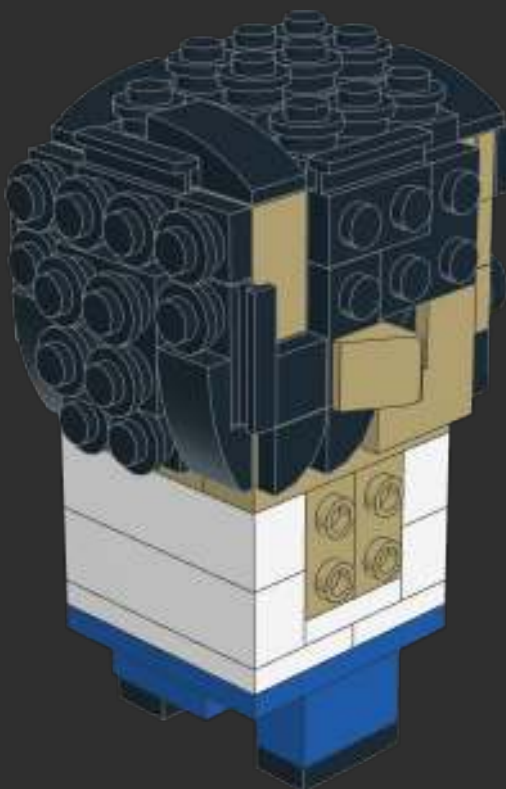
77 
1x



78



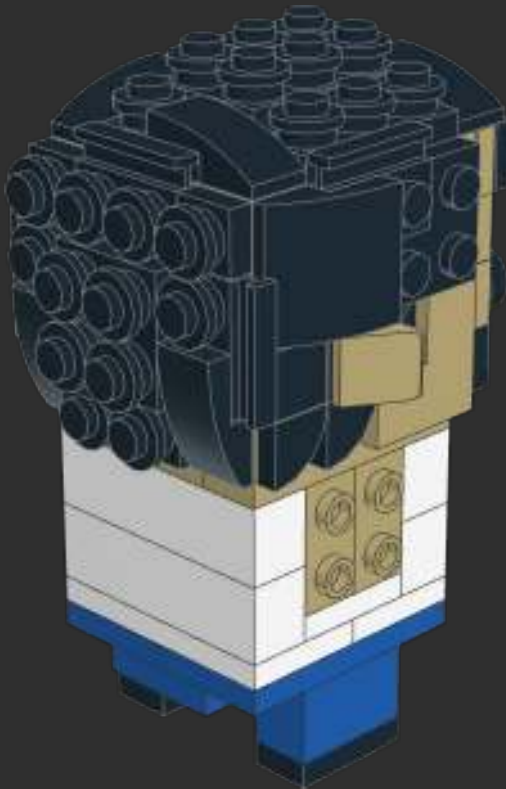
1x



79



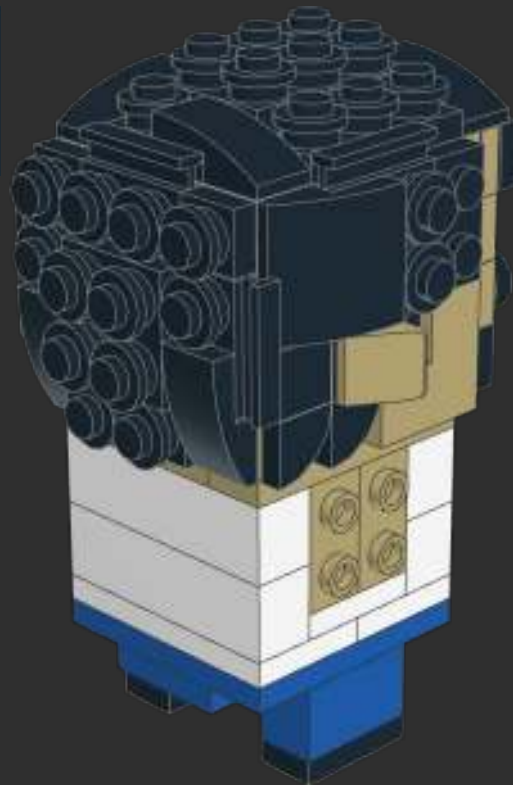
1x



80



2x



81



1x



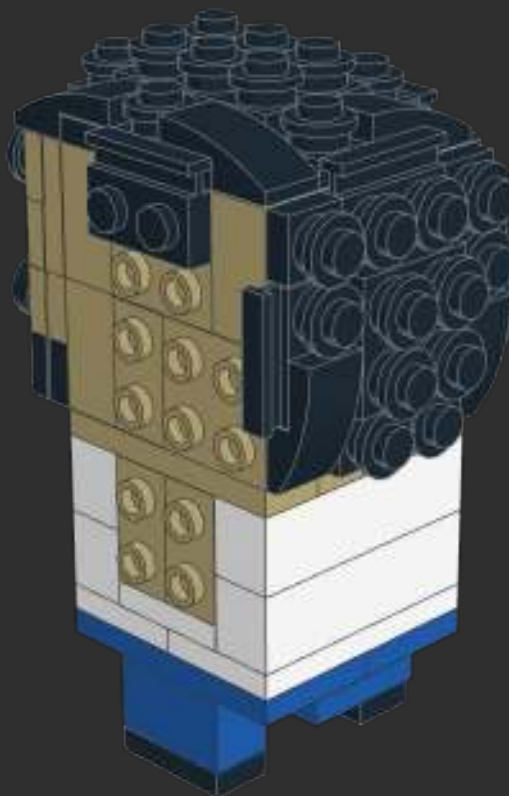
1x



82



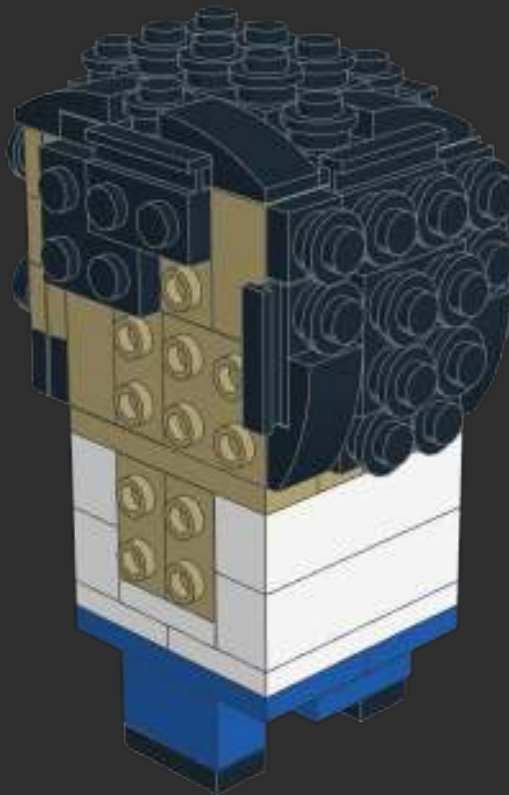
1x



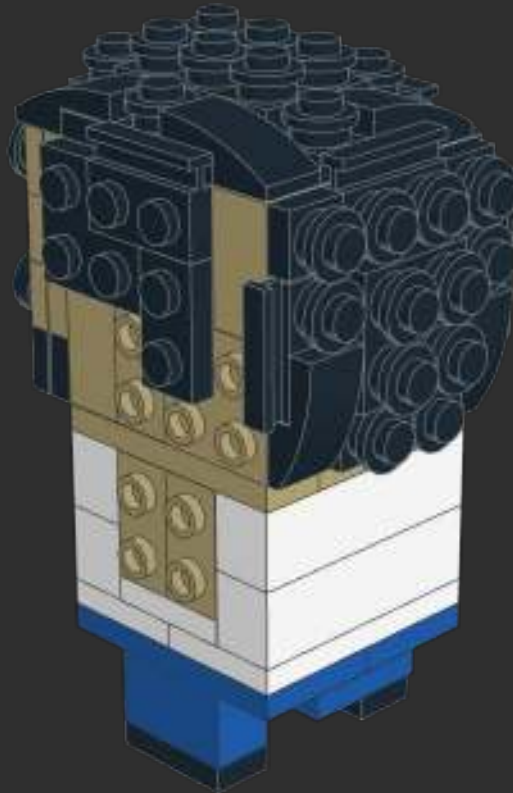
83



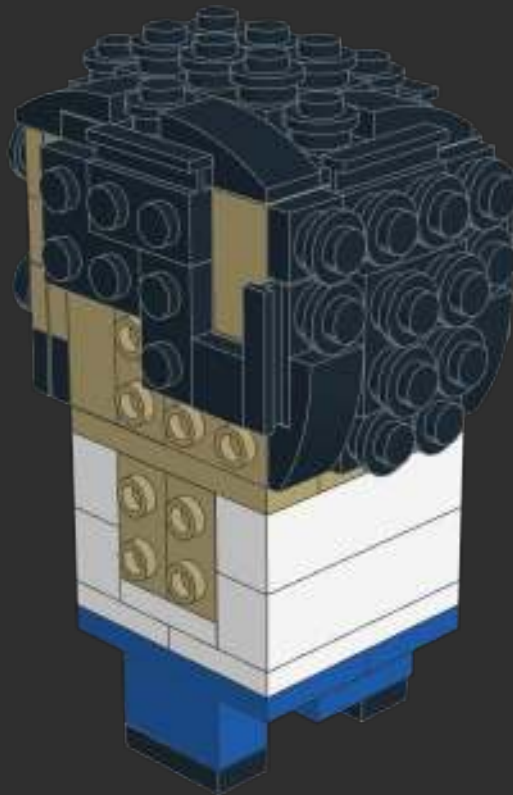
1x



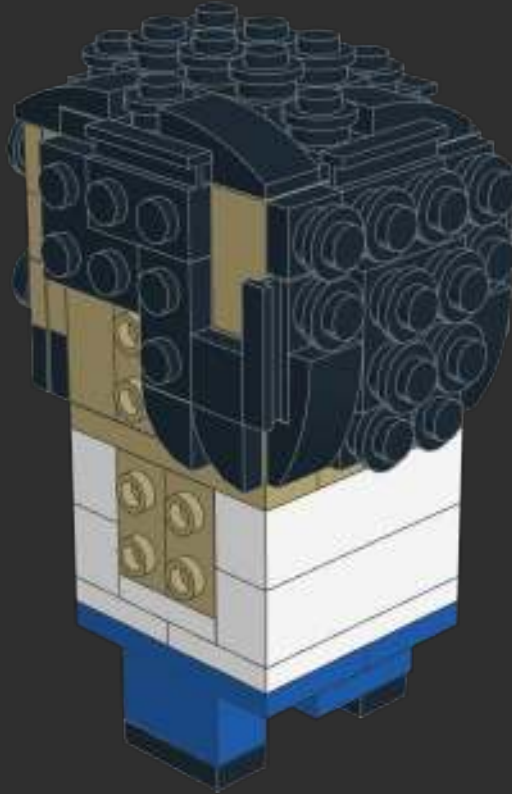
84



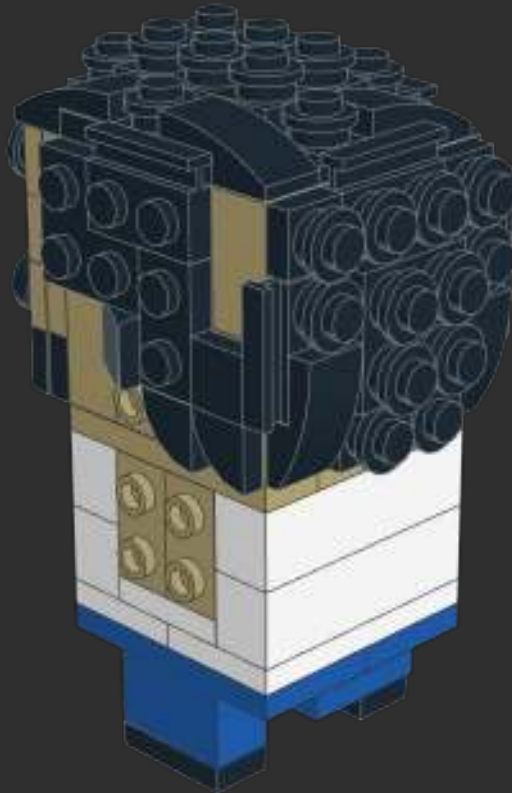
85



86



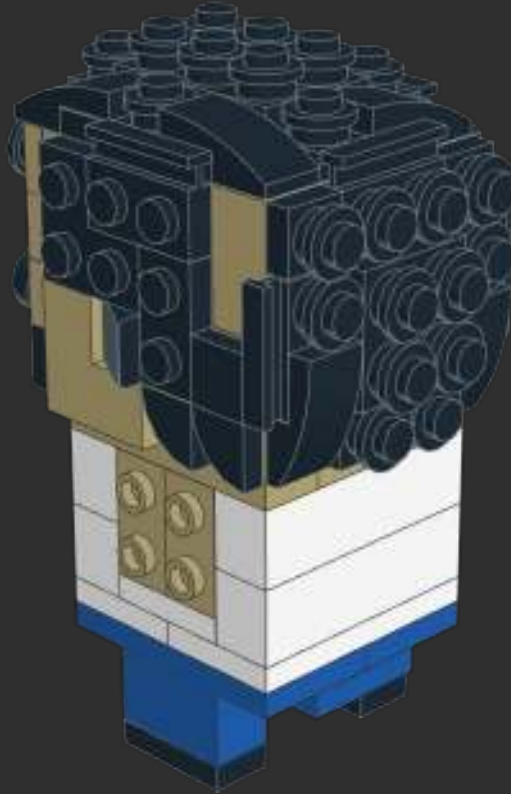
87



88



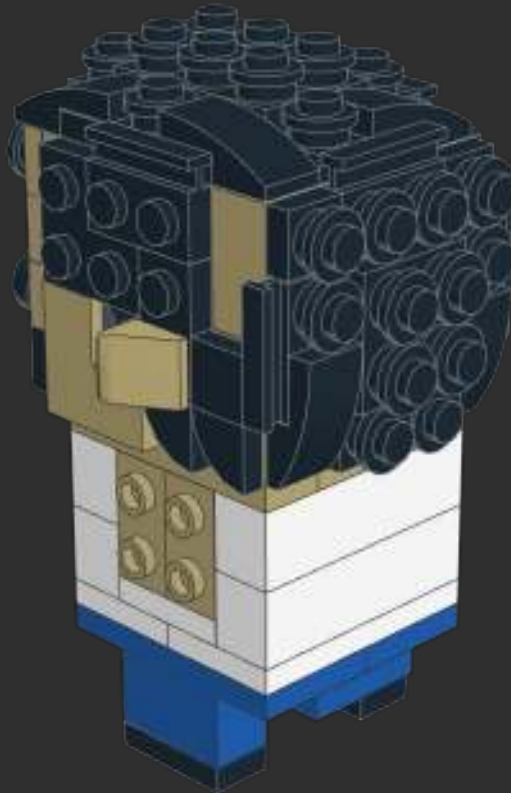
1x



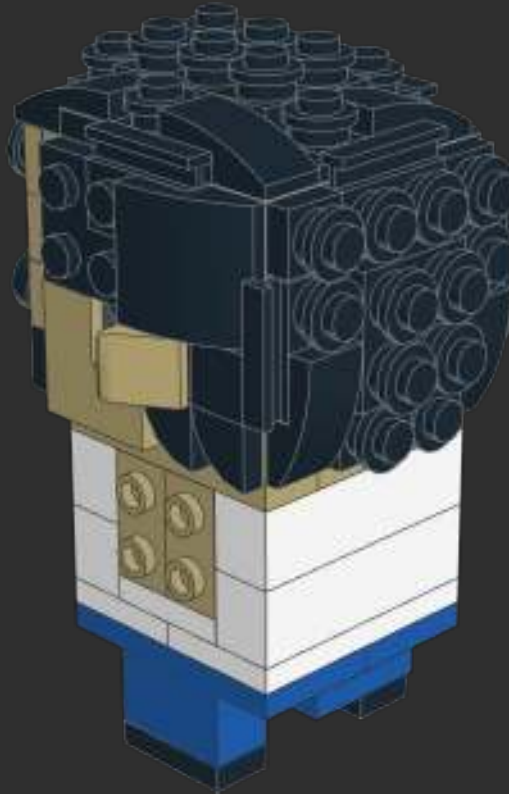
89



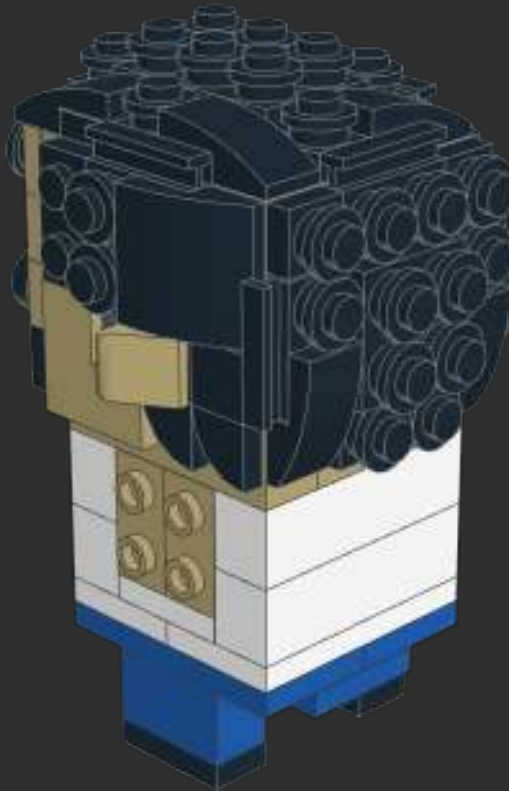
1x



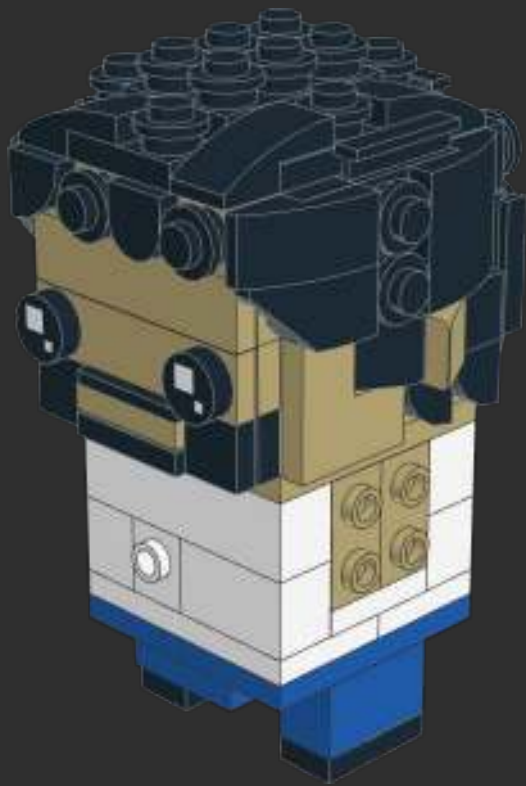
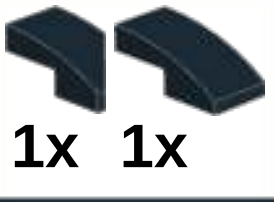
90



91



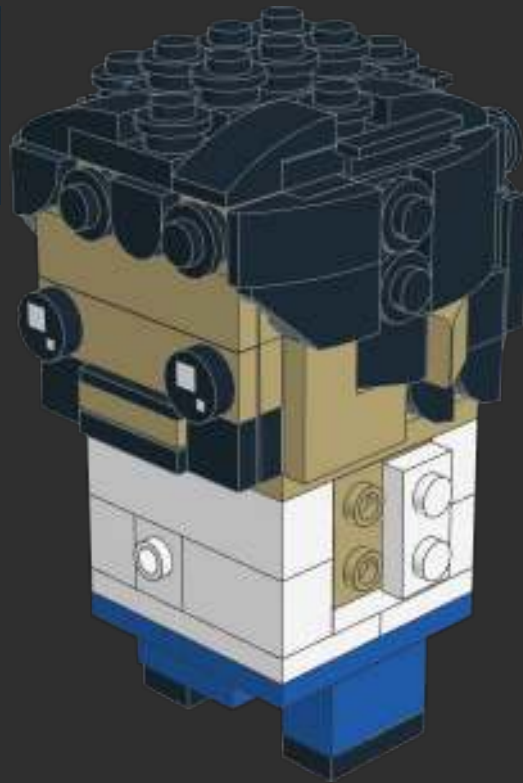
92



93



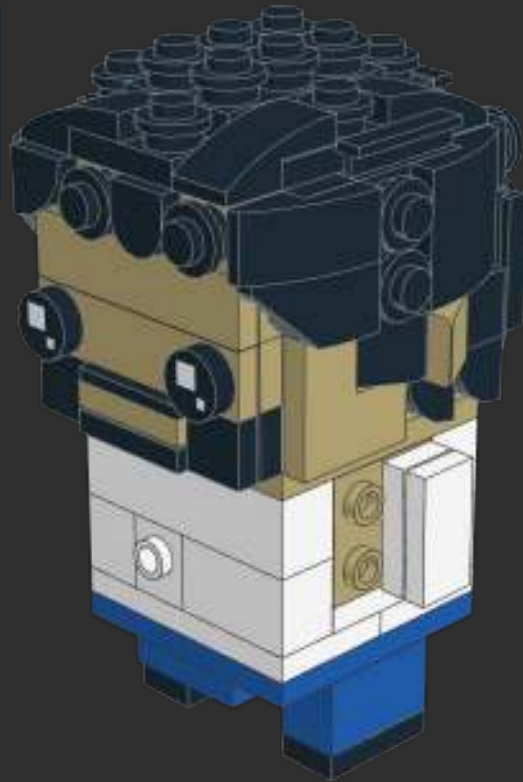
1x



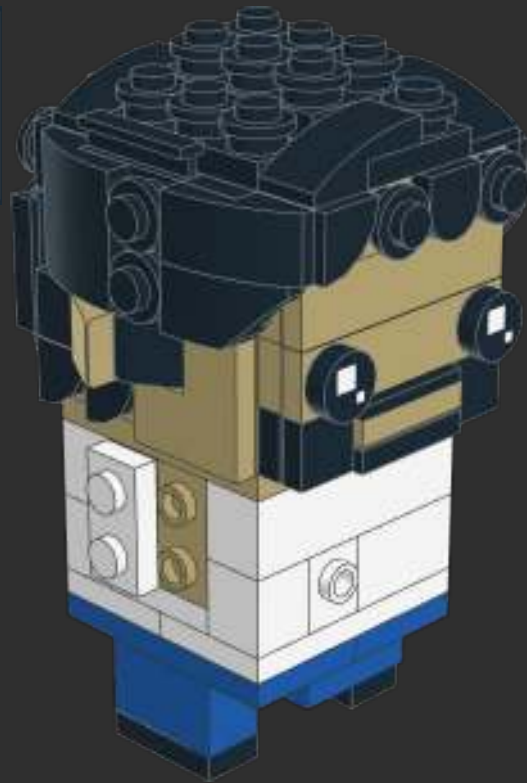
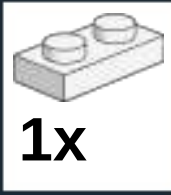
94



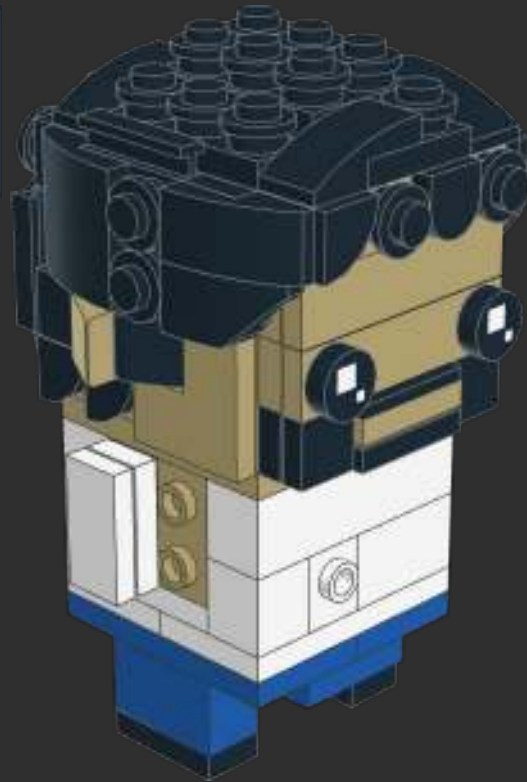
1x



95



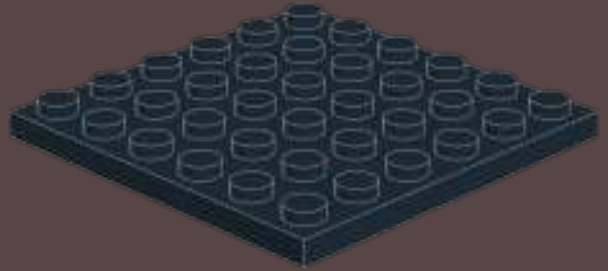
96



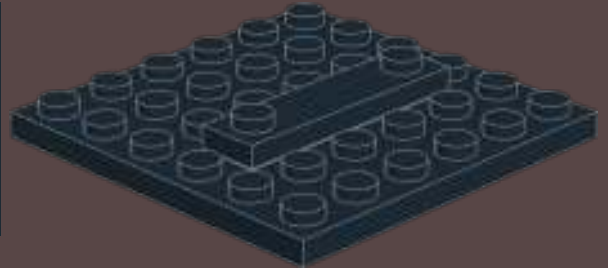
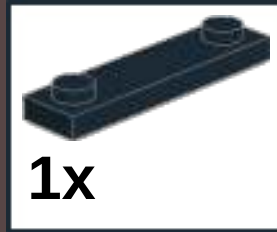


1		2		3		4	
	1x		1x		1x		1x
							x2

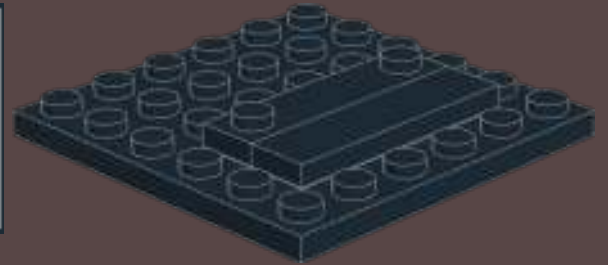
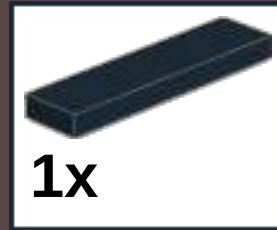
1



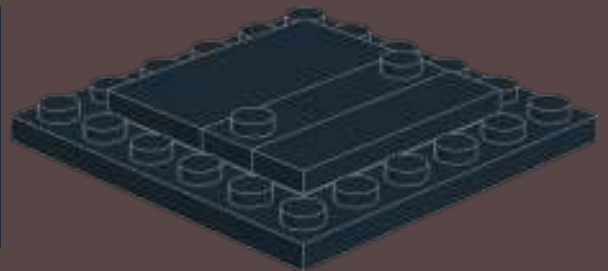
2



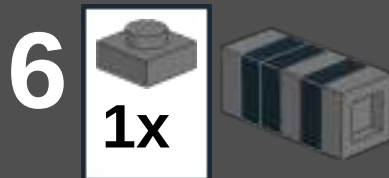
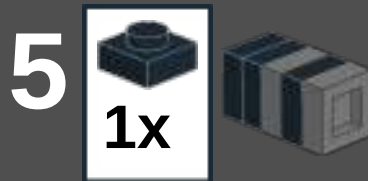
3



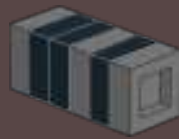
4







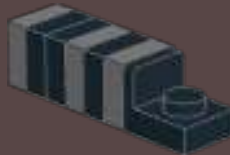
1



2



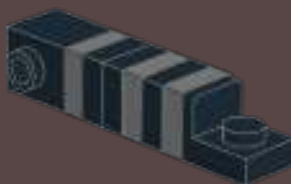
1x



3



1x








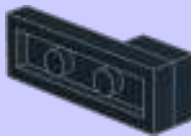
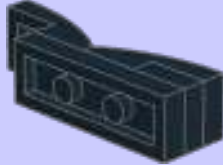
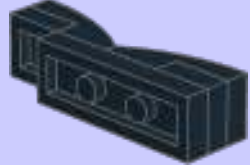
4



1x



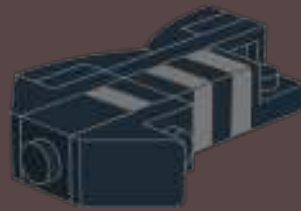


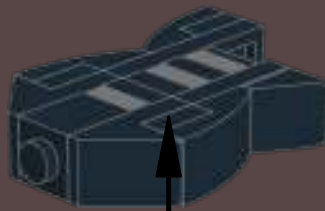
1  1x	2  1x	3  2x	4  1x
			





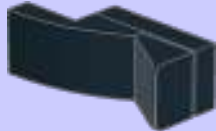
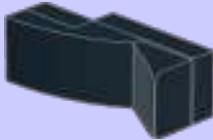
6

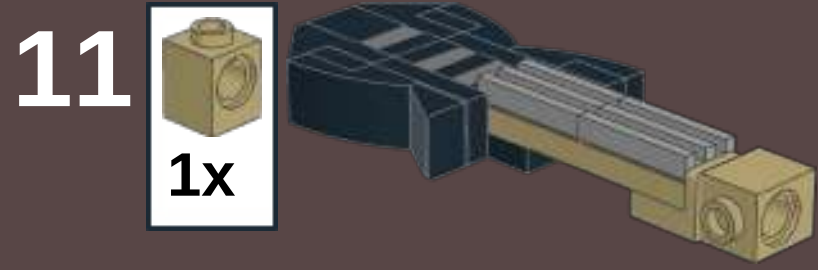
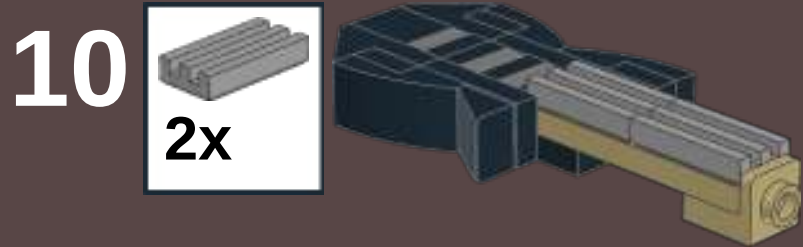
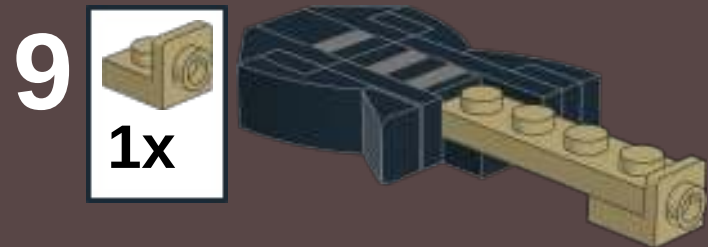


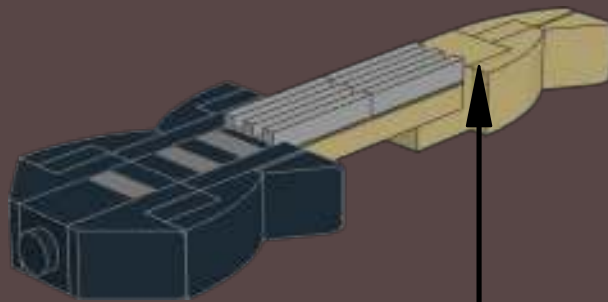
1x












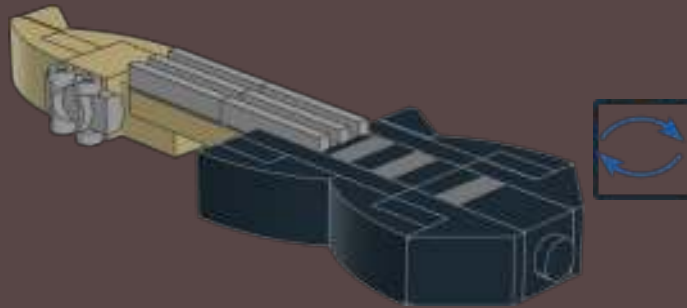
<p>1</p>  <p>1x</p>	<p>2</p>  <p>1x 1x</p>	<p>3</p>  <p>1x</p>
		



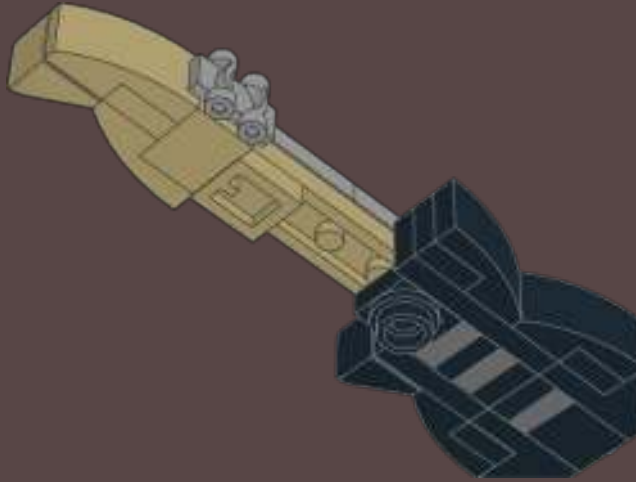


1	 1x	2	 1x	3	 1x	 1x
						

13



14









10x



30x



1x



5x



1x



1x



1x



1x



4x



1x



5x



2x



1x



1x



3x



1x



1x



3x



3x



2x



2x



5x



2x



3x



2x



1x



1x



2x



11x



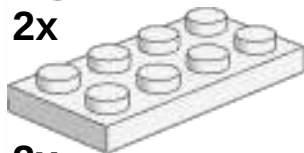
2x



2x



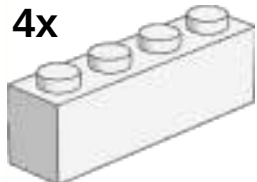
2x



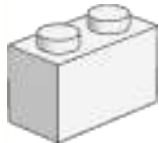
2x



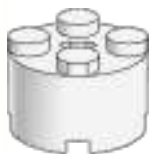
4x



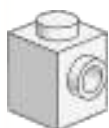
3x



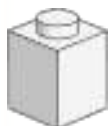
1x



5x



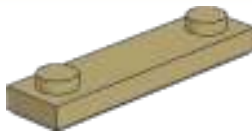
1x



1x



2x



1x



2x



3x



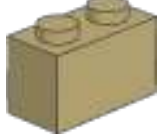
2x



9x



1x



1x



8x



1x



2x



3x



1x



2x



1x



2x



1x



1x



1x



3x



1x



4x

Honorable mentions of supporters:

Teg12345

dalesr

csscg

Bwtpelego

inkachi



Hope you had fun with this model and instructions.
As always you can reach out to me via email:
birdbrickbuilds@gmail.com

You can also check my work on rebrickable and
instagram:

<https://rebrickable.com/users/birdbrickbuilds/>
<https://www.instagram.com/birdbrickbuilds/>

If you wish to help me continue to make this
models and instructions you can buy me a coffee
to help me stay up late:

<https://www.buymeacoffee.com/birdbrickbl>

Or you can buy my Coffee Espresso MOC:

<https://reb.li/m/118798>

Or even you can buy my Beer Mug MOC:

<https://reb.li/m/137364>



This work is licensed under a [Creative Commons Attribution-NonCommercial-ShareAlike 4.0 International License](https://creativecommons.org/licenses/by-nc-sa/4.0/).