



Roper

Model instructions by
Bird Brick Builds

Author: Eduardo Sousa



139 Parts

WORK RAM	OK
ROM 1	OK
ROM 2	OK
ROM 3	OK
ROM 4	OK
63701	OK





Attribution-NonCommercial-ShareAlike 4.0 International (CC BY-NC-SA 4.0)

This is a human-readable summary of (and not a substitute for) the [license](#). [Disclaimer](#).

You are free to:

Share — copy and redistribute the material in any medium or format

Adapt — remix, transform, and build upon the material

The licensor cannot revoke these freedoms as long as you follow the [license terms](#).

Under the following terms:



Attribution — You must give [appropriate credit](#), provide a link to the license, and [indicate if changes were made](#). You may do so in any reasonable manner, but not in any way that suggests the licensor endorses you or your use.



NonCommercial — You may not use the material for [commercial purposes](#).



ShareAlike — If you remix, transform, or build upon the material, you must distribute your contributions under the [same license](#) as the original.

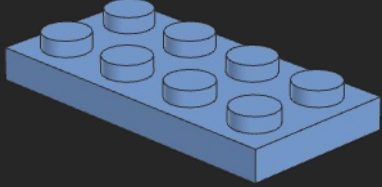
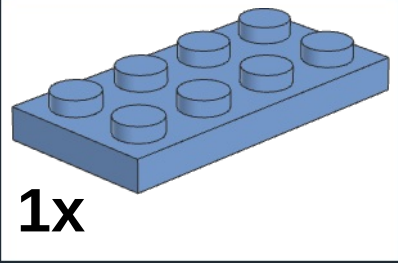
No additional restrictions — You may not apply legal terms or [technological measures](#) that legally restrict others from doing anything the license permits.

Notices:

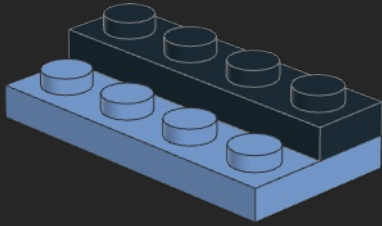
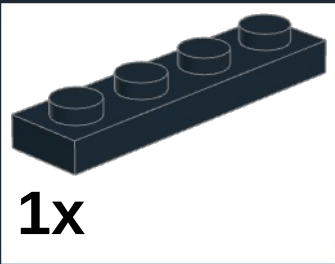
You do not have to comply with the license for elements of the material in the public domain or where your use is permitted by an applicable [exception or limitation](#).

No warranties are given. The license may not give you all of the permissions necessary for your intended use. For example, other rights such as [publicity, privacy, or moral rights](#) may limit how you use the material.

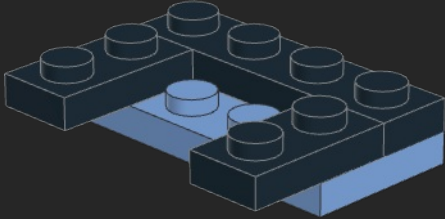
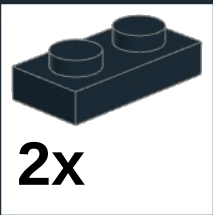
1



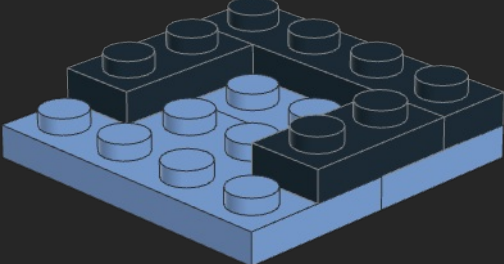
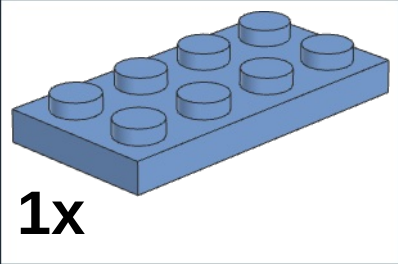
2



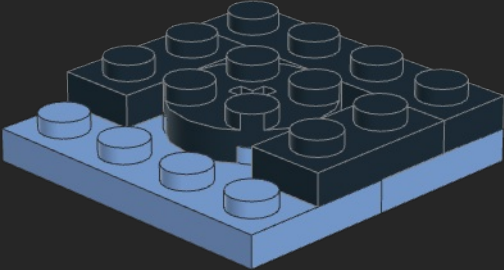
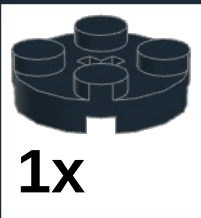
3



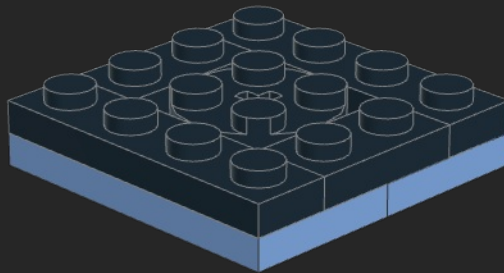
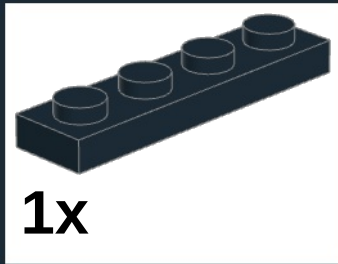
4



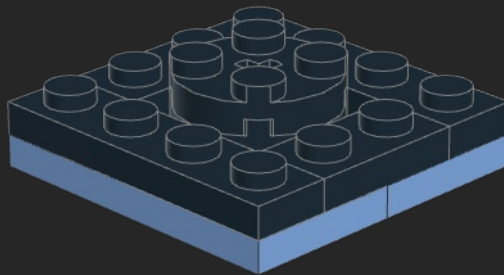
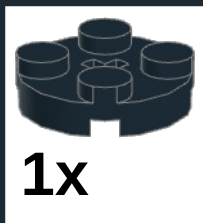
5



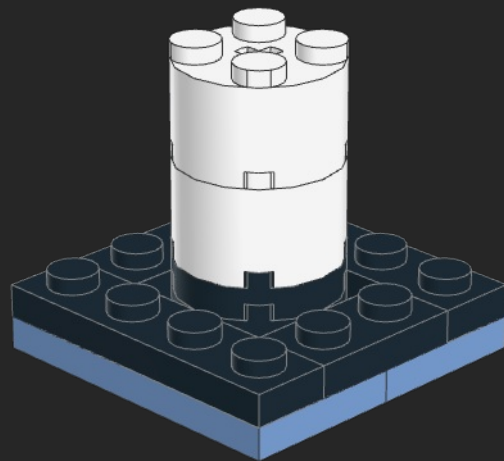
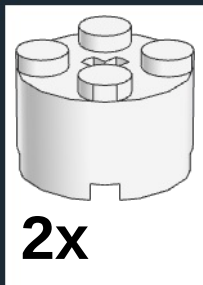
6

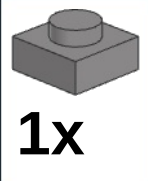
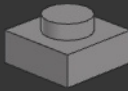
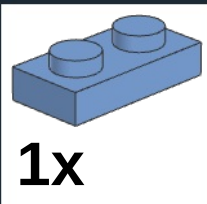
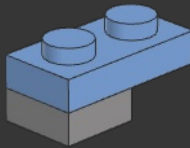
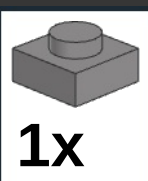
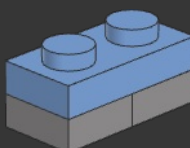
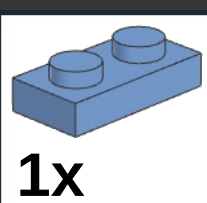
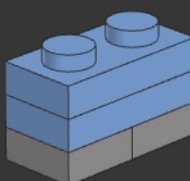


7



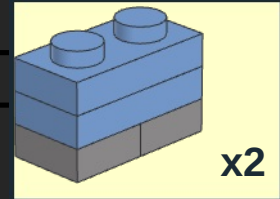
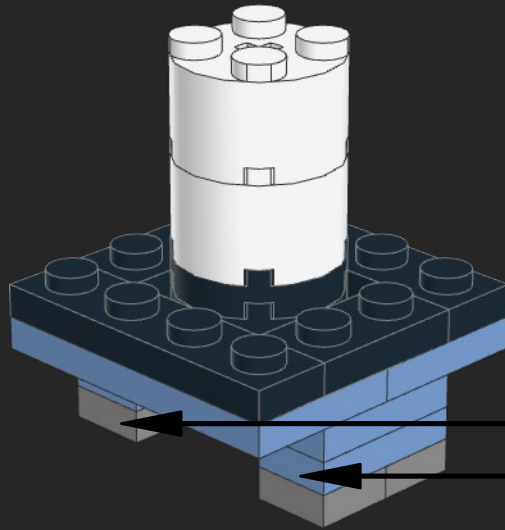
8



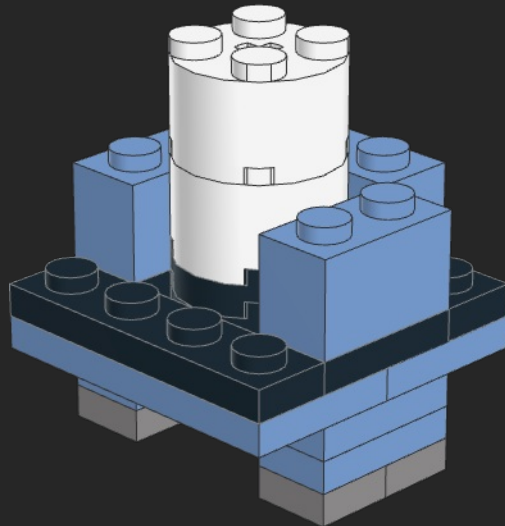
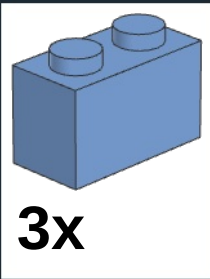
- 1  **1x** 
- 2  **1x** 
- 3  **1x** 
- 4  **1x** 

x2

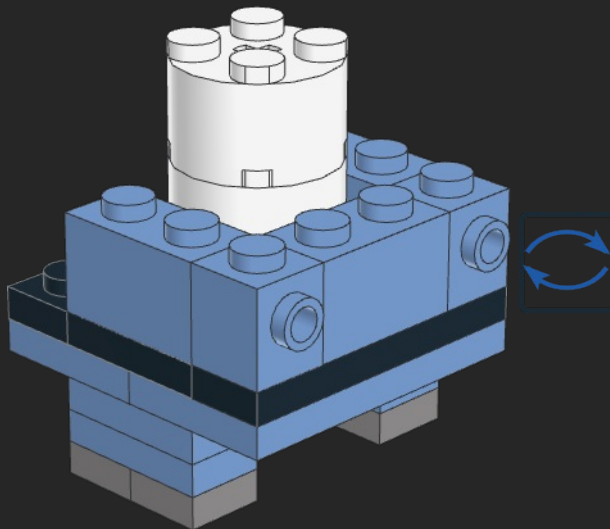
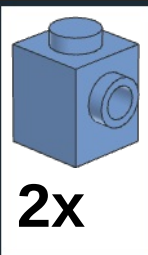
9

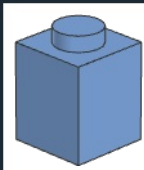


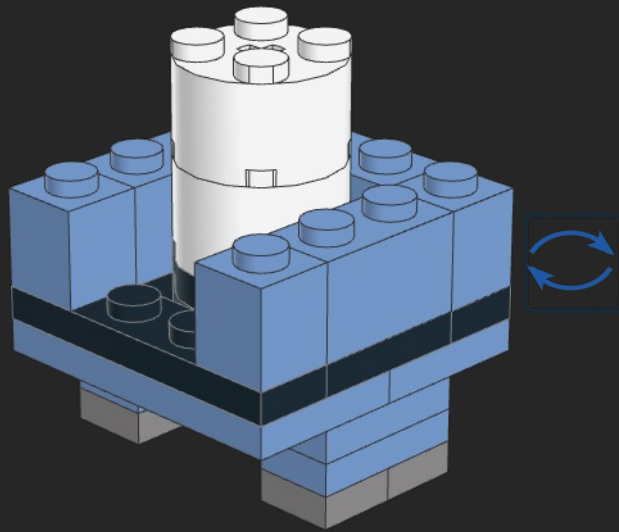
10

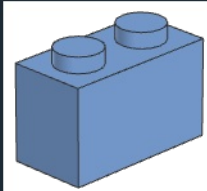


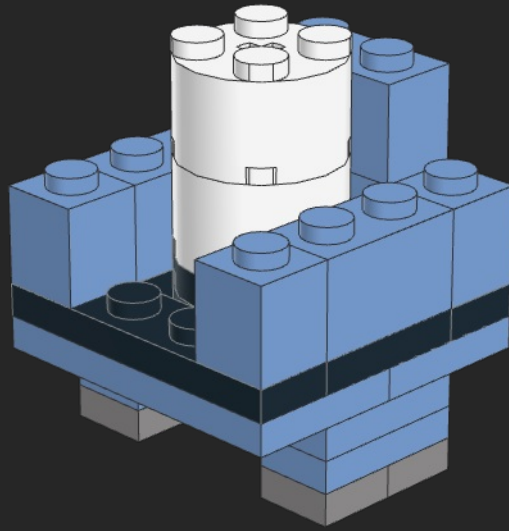
11

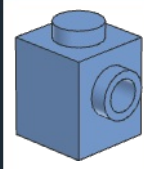


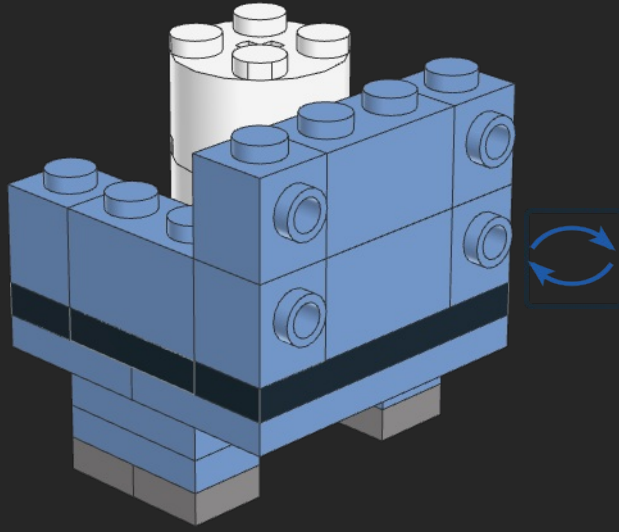
12 
2x



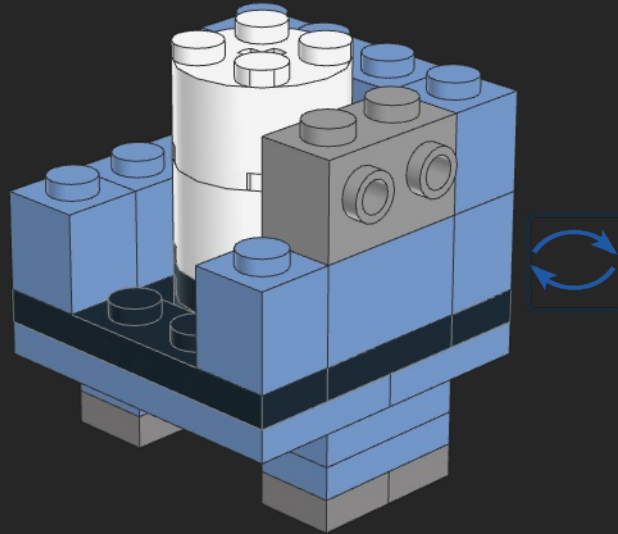
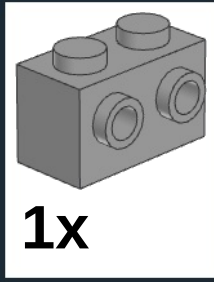
13 
1x



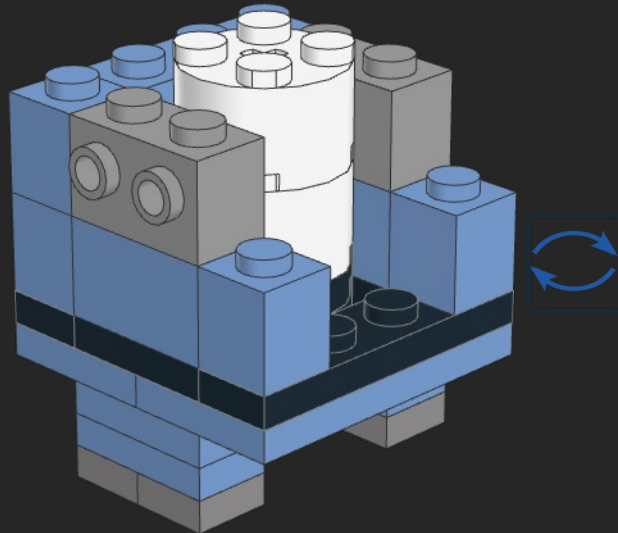
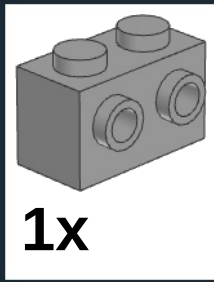
14 
2x



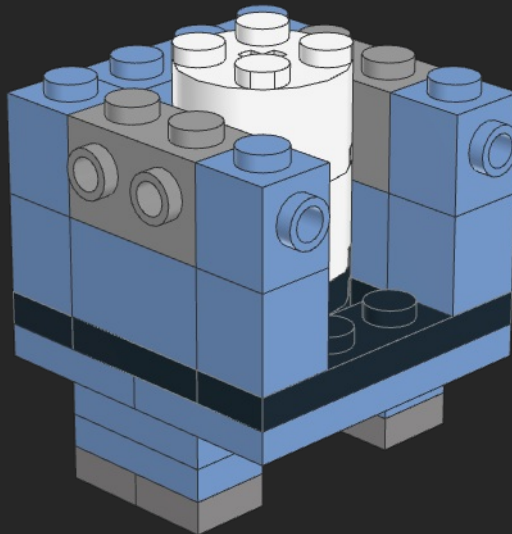
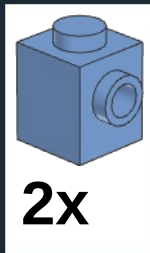
15



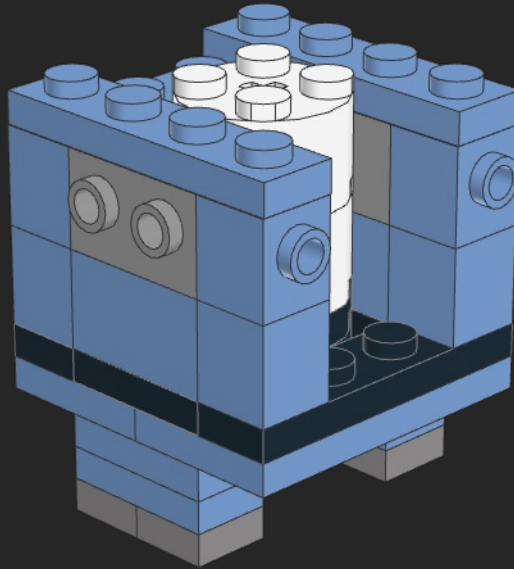
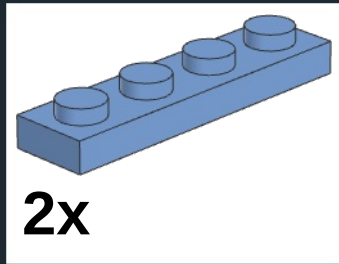
16



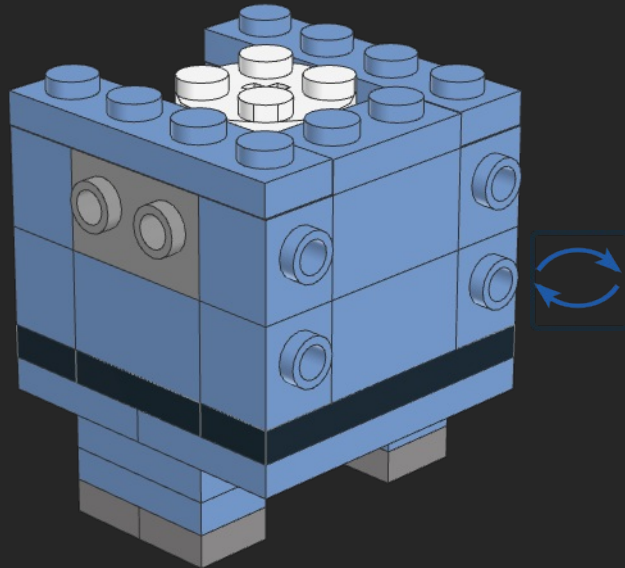
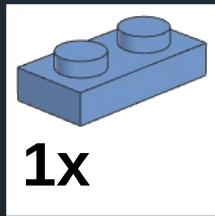
17

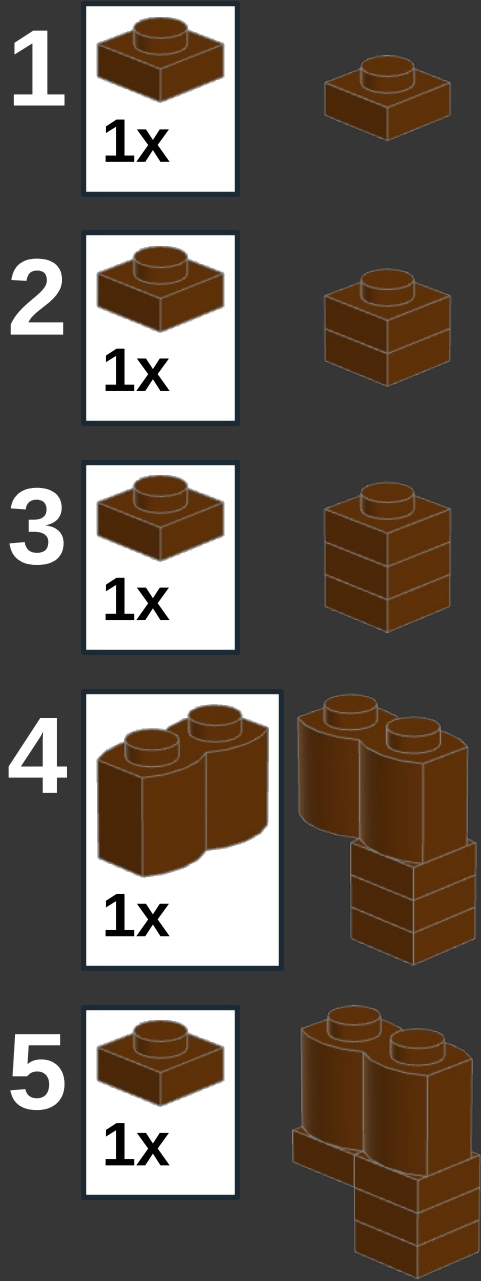


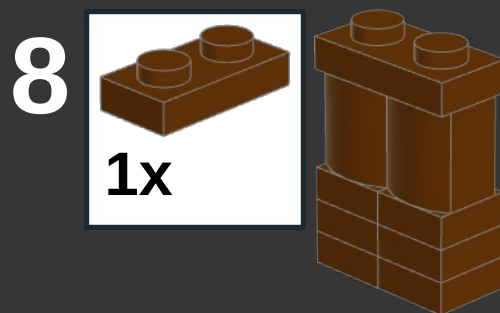
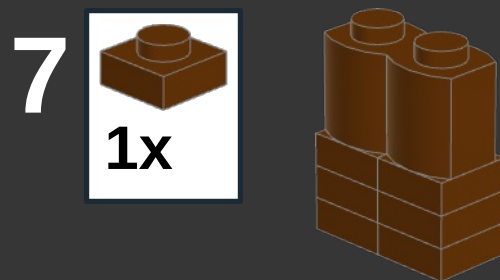
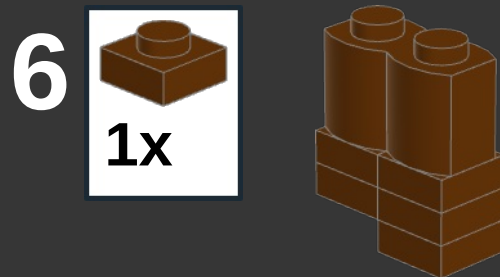
18



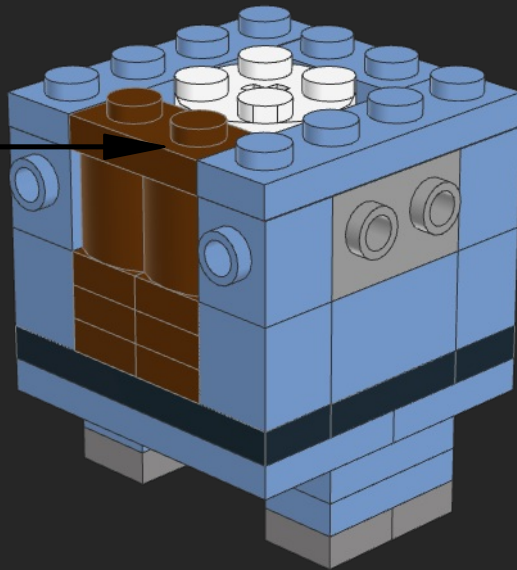
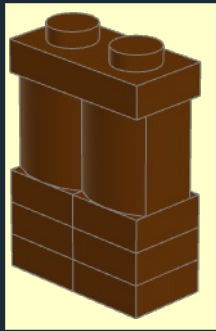
19



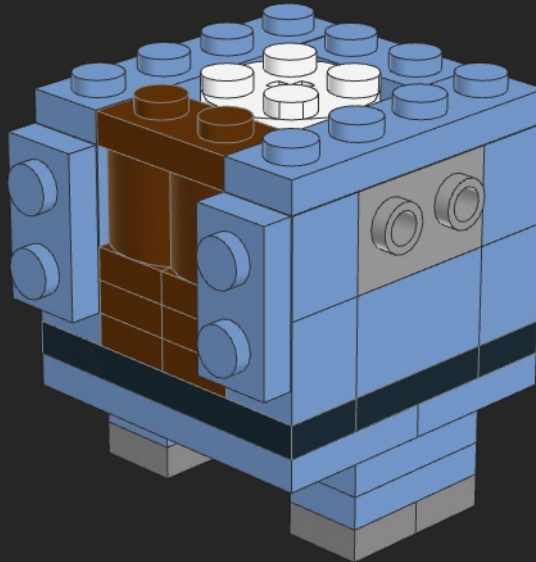
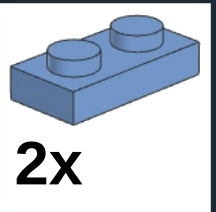




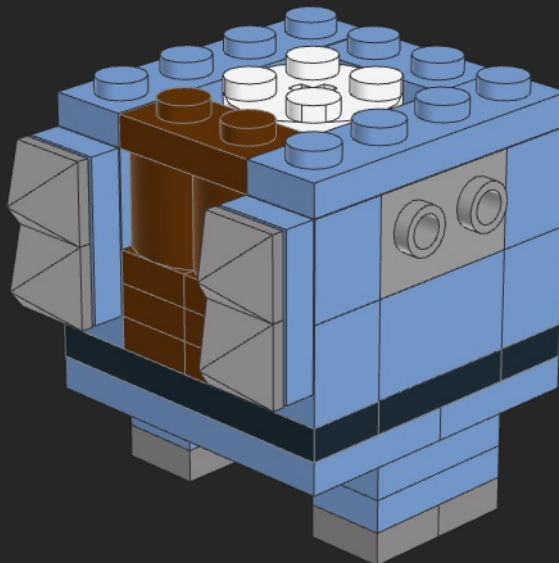
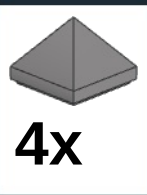
20



21



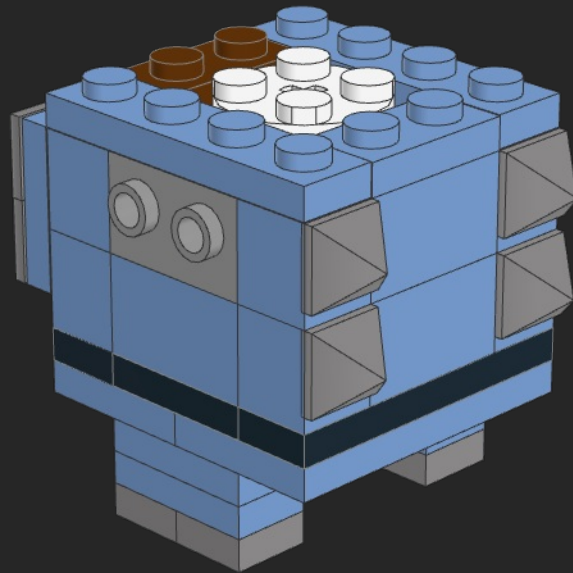
22



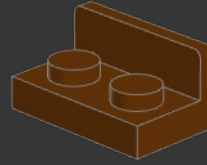
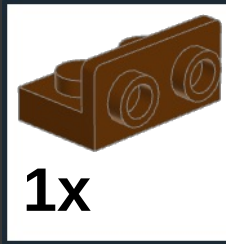
23



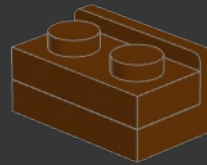
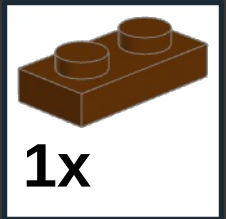
4x



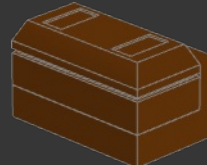
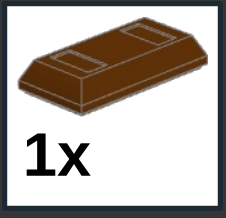
1



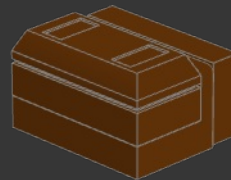
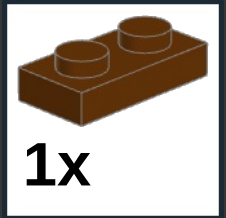
2



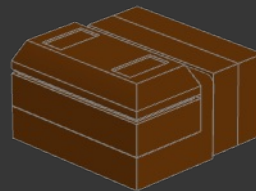
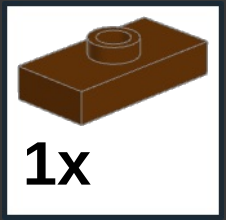
3



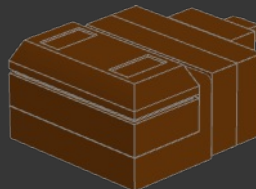
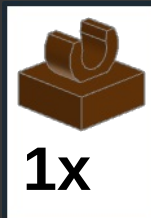
4



5

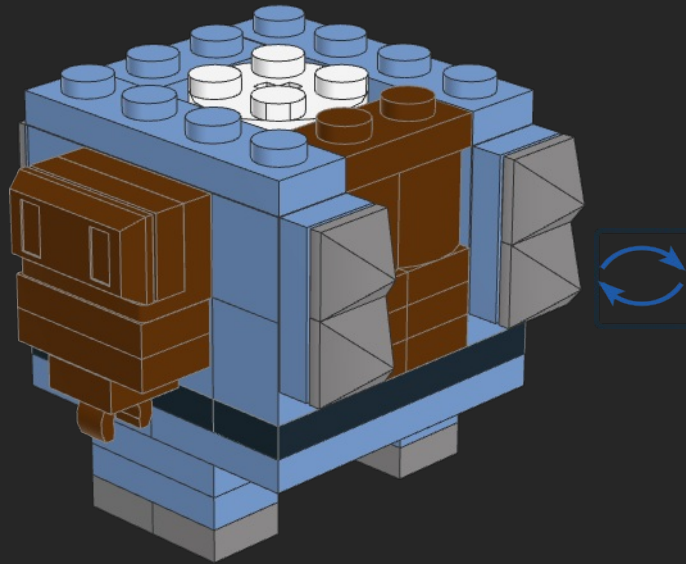


6

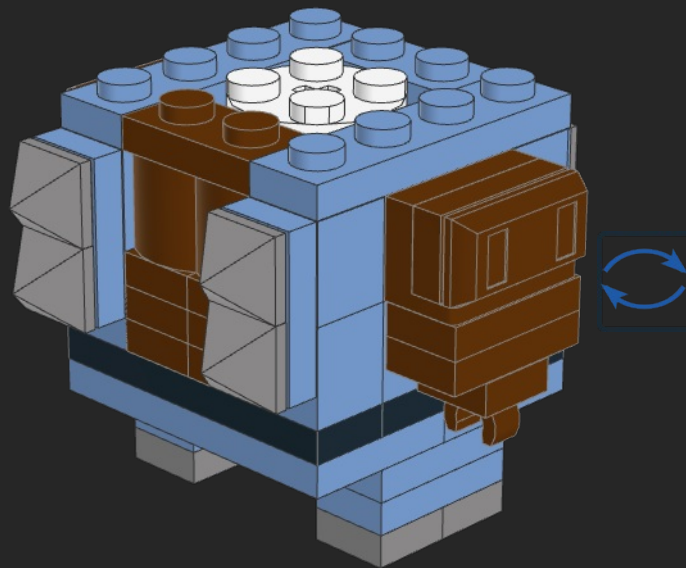


x2

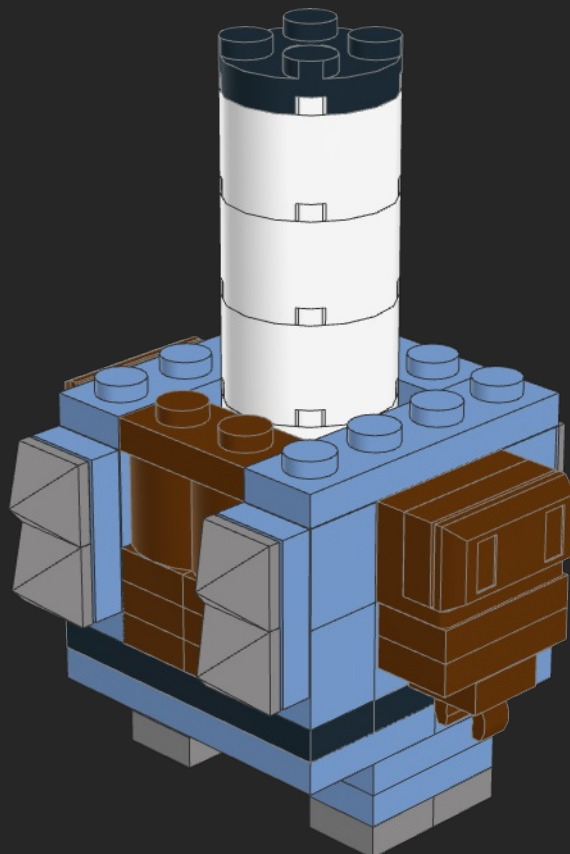
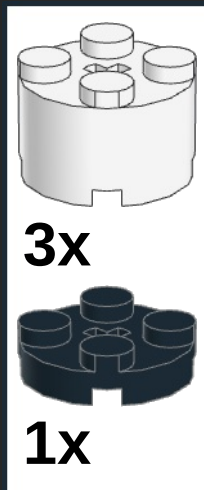
24



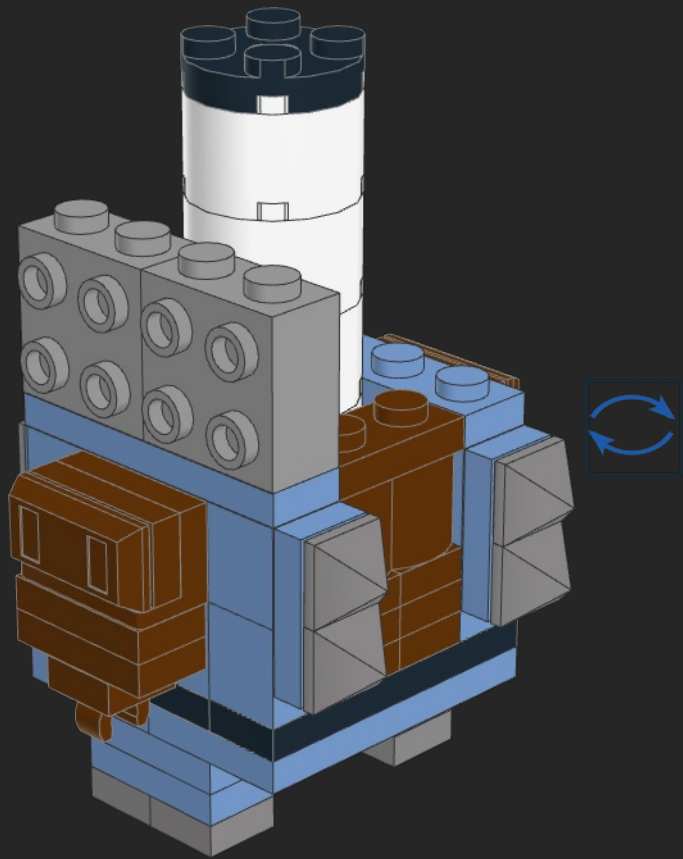
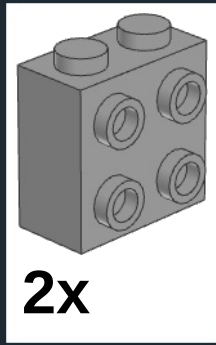
25



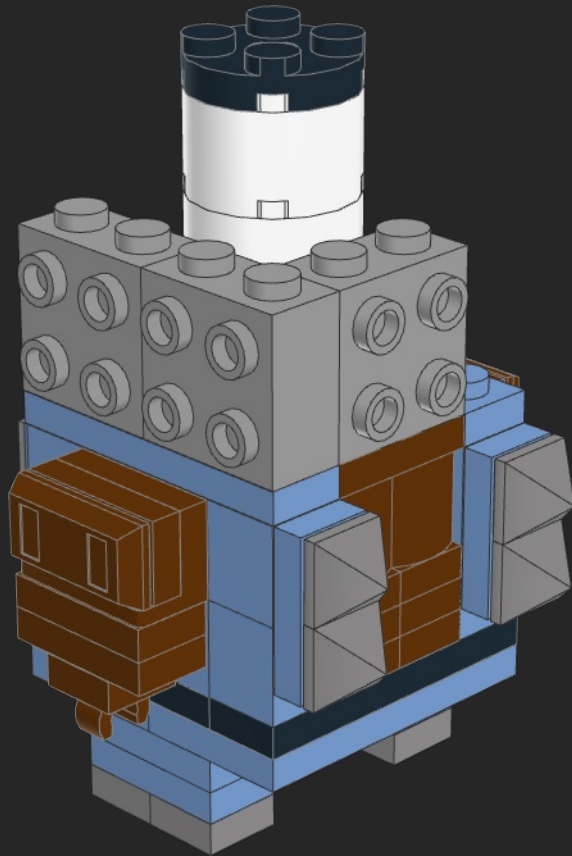
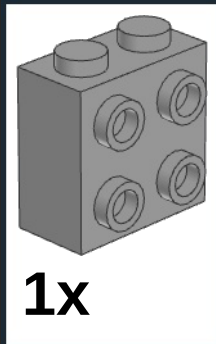
26



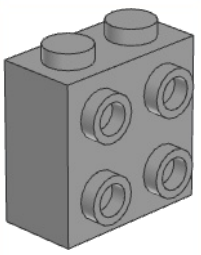
27



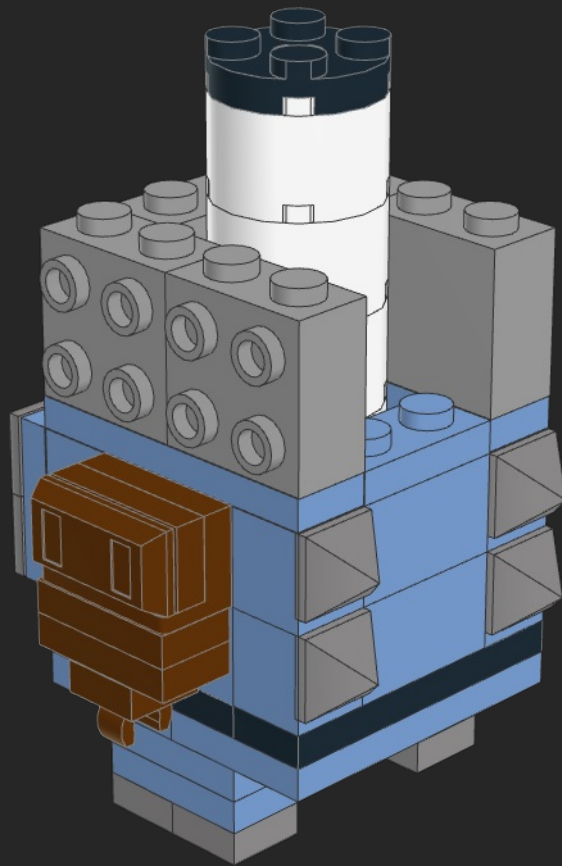
28



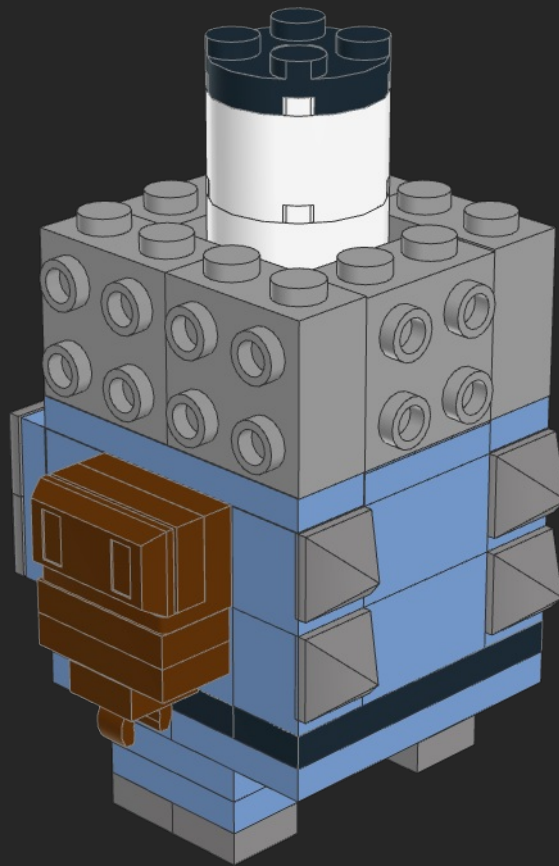
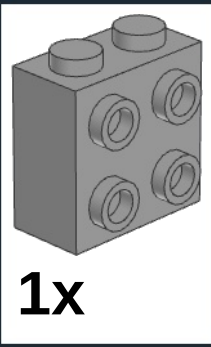
29



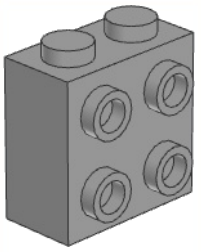
2x



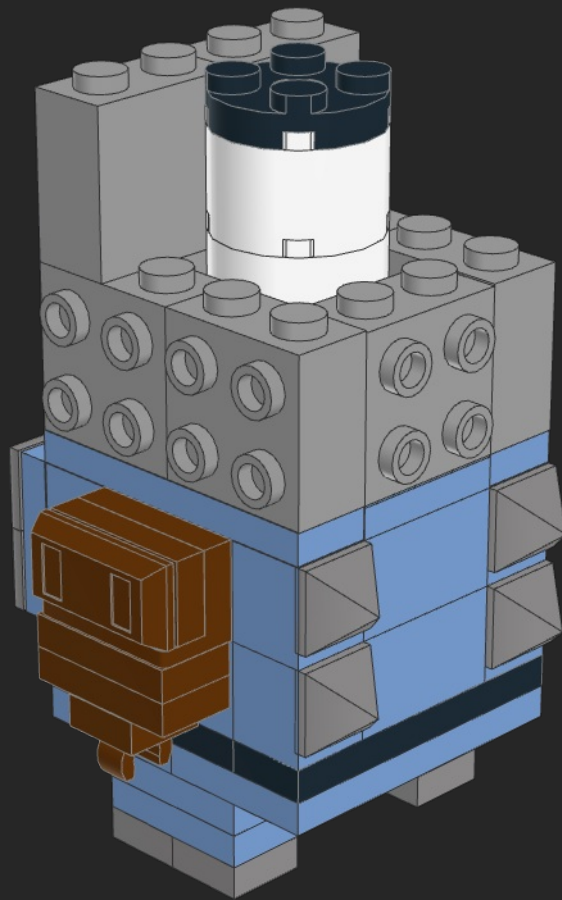
30



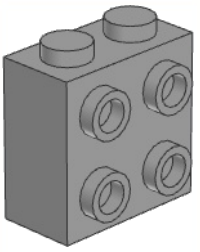
31



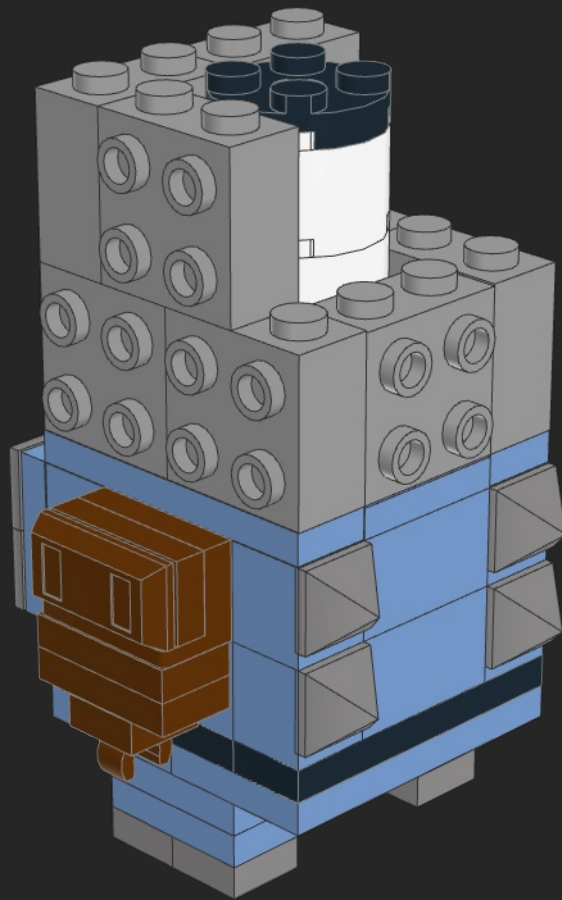
2x



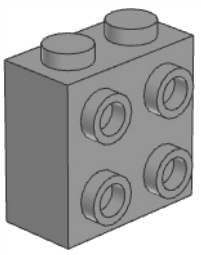
32



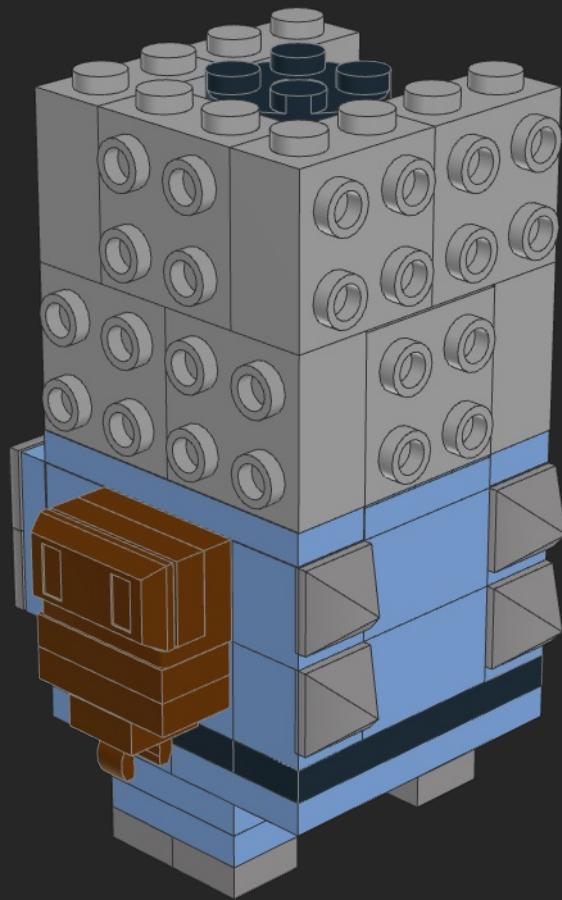
1x



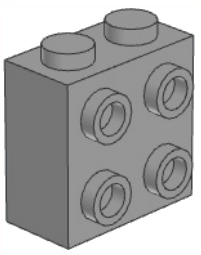
33



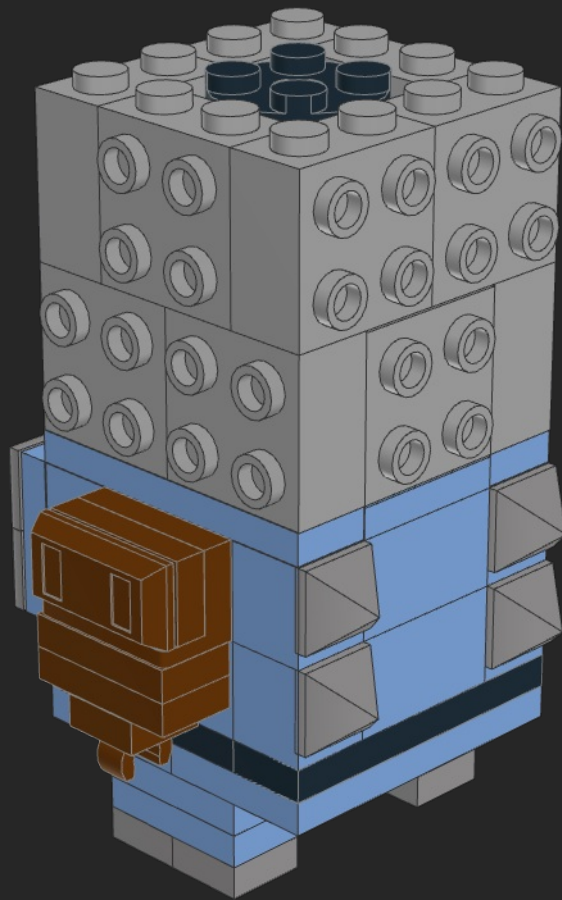
2x



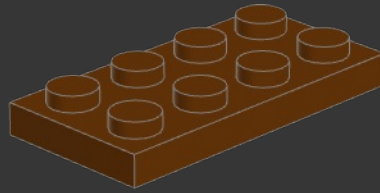
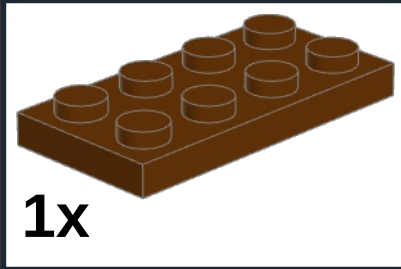
34



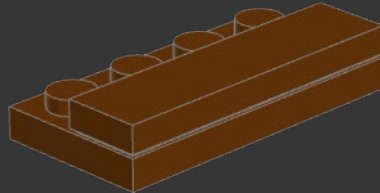
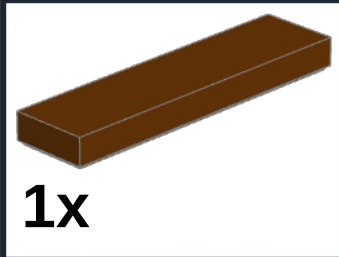
1x



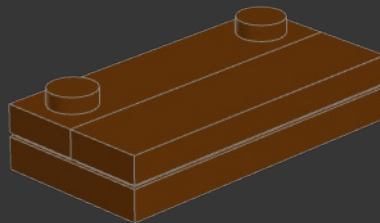
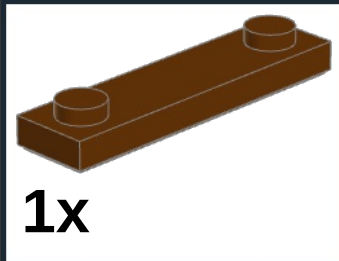
1



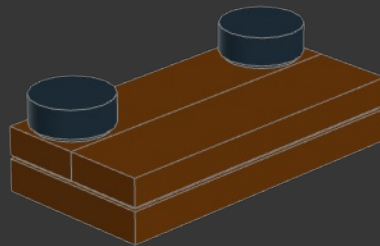
2

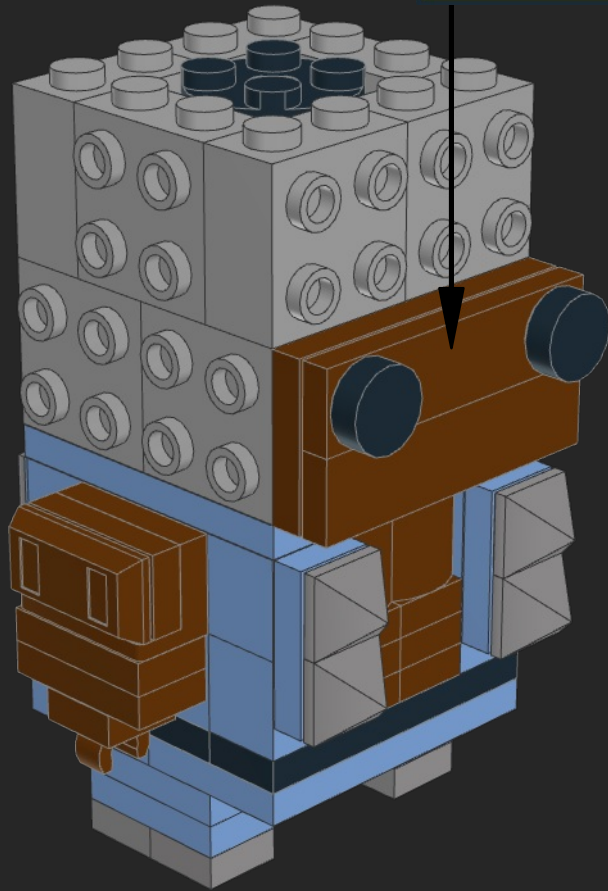
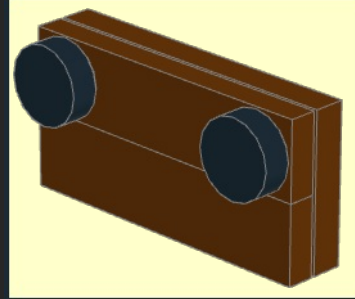


3

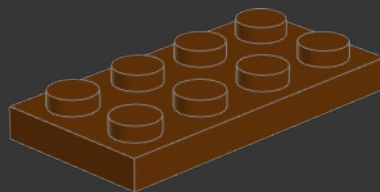
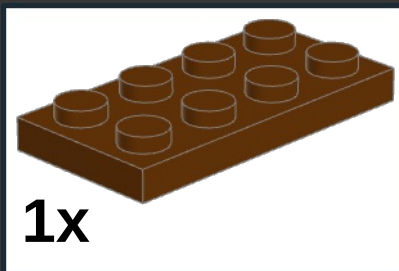


4

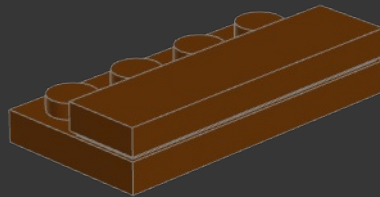
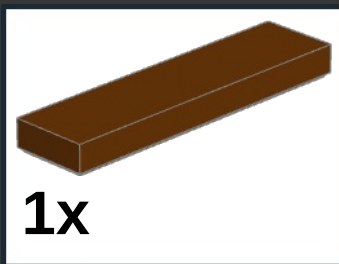




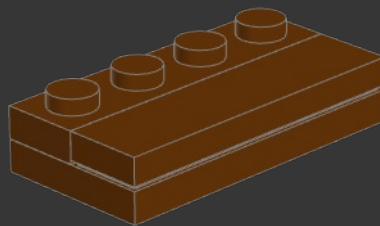
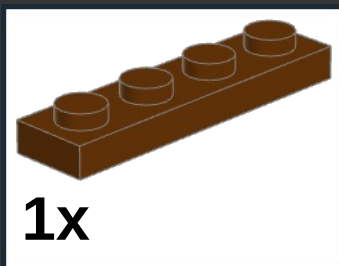
1



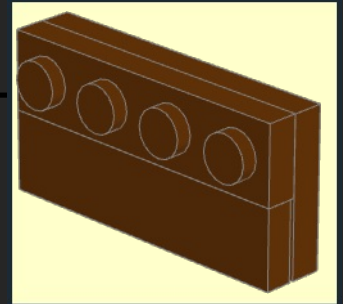
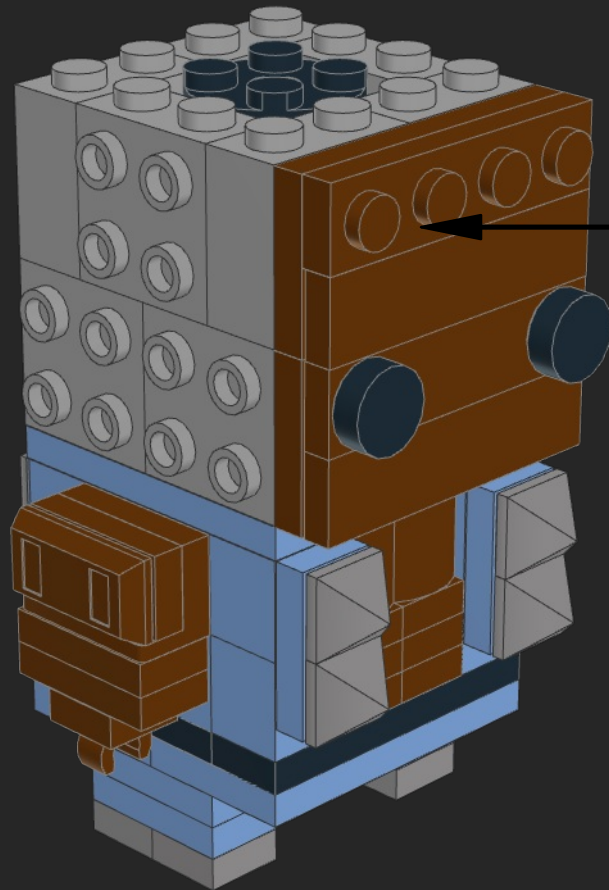
2




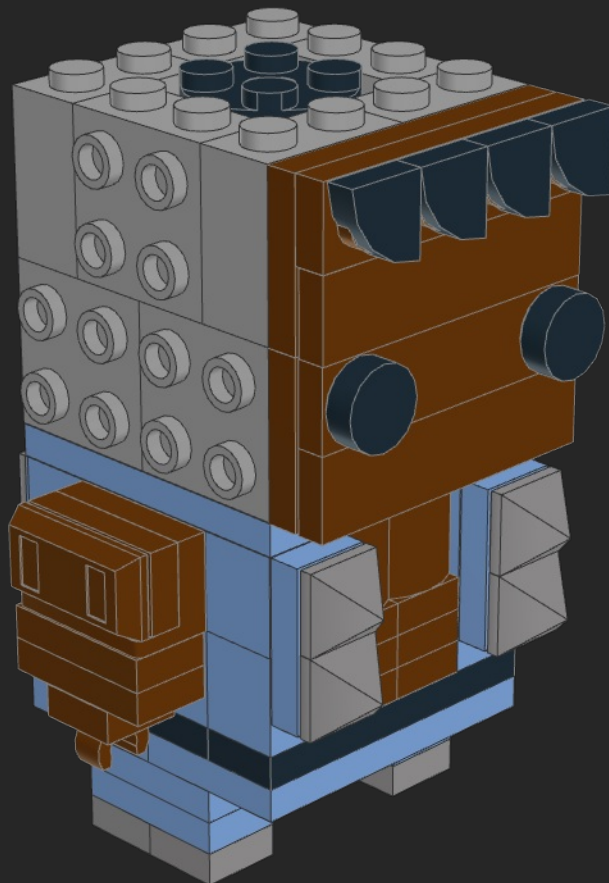
3



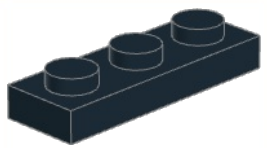
36



37 
4x



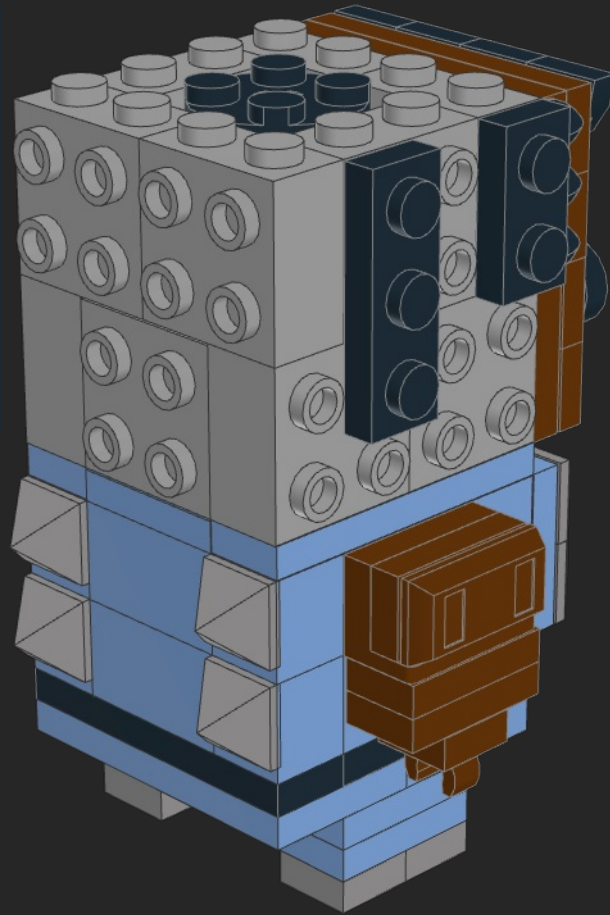
38



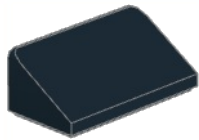
1x



1x



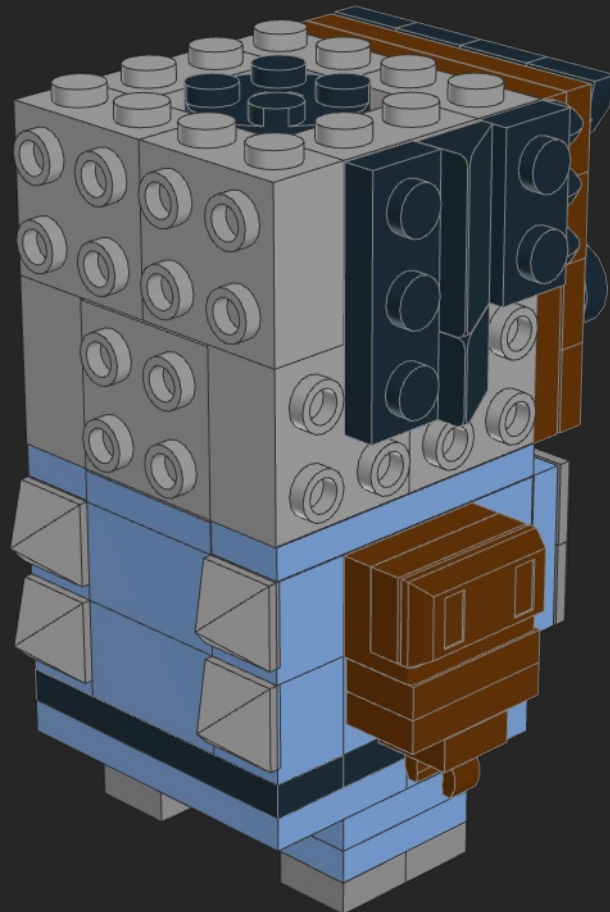
39



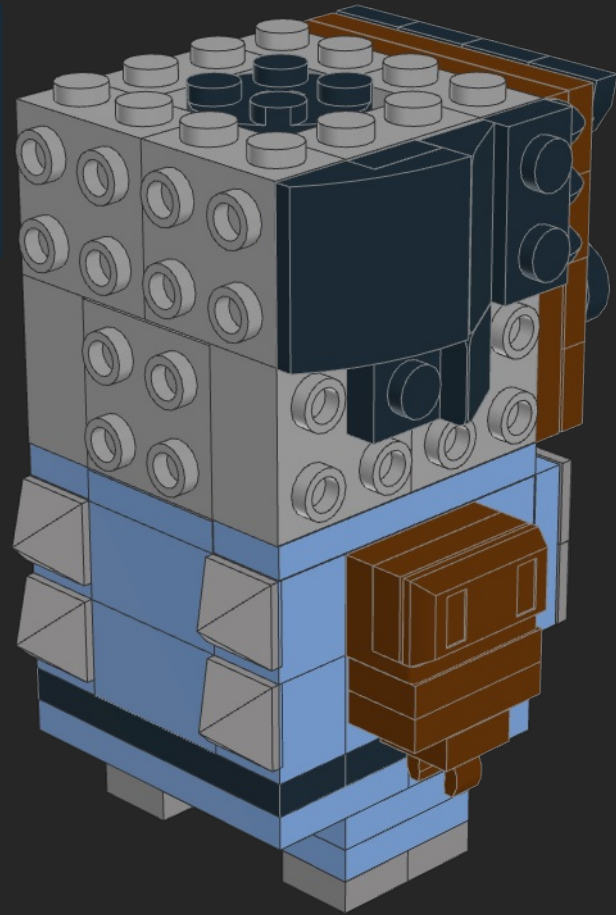
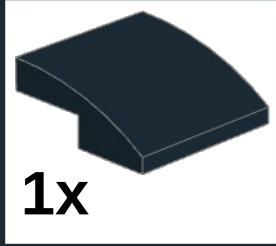
1x



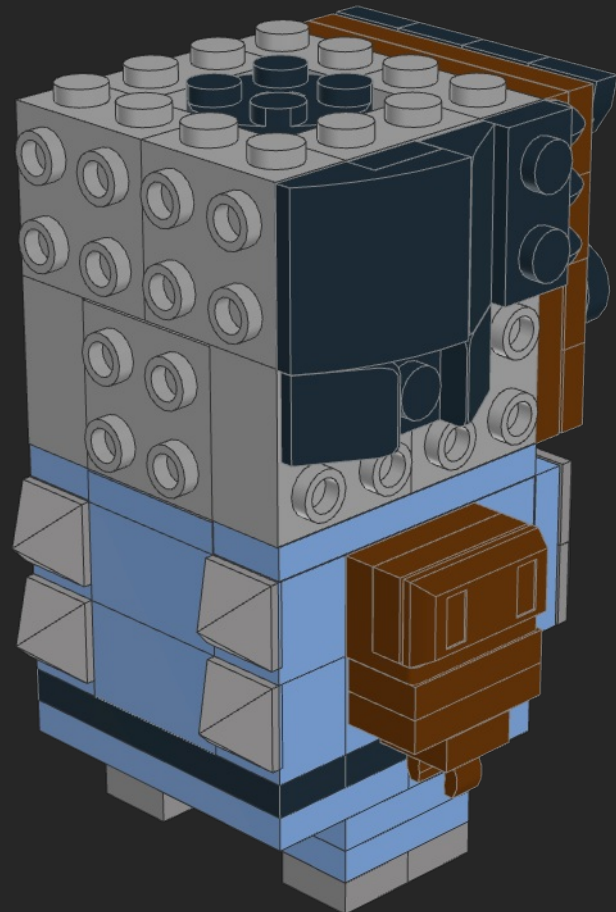
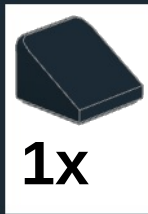
1x



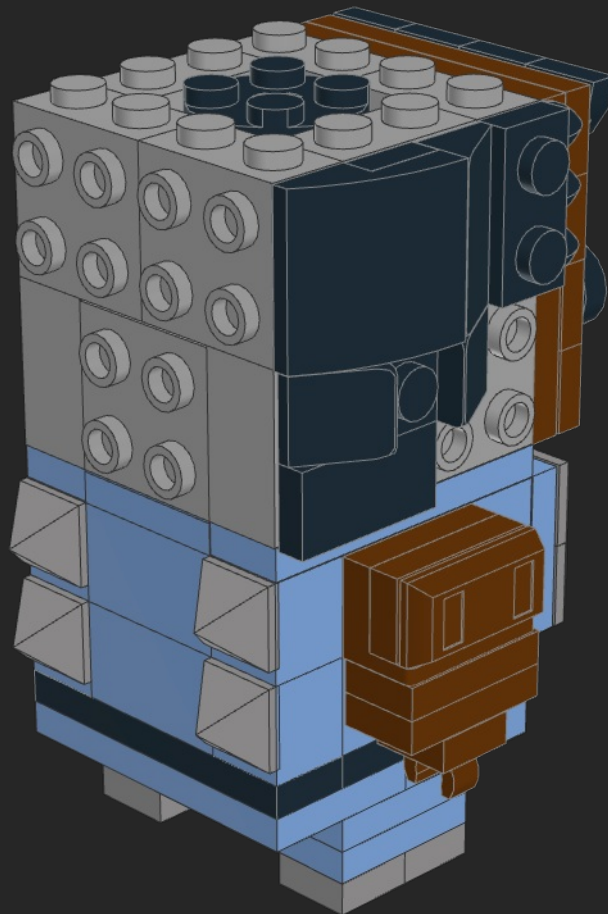
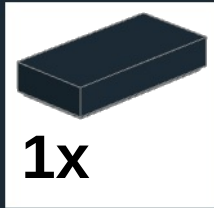
40



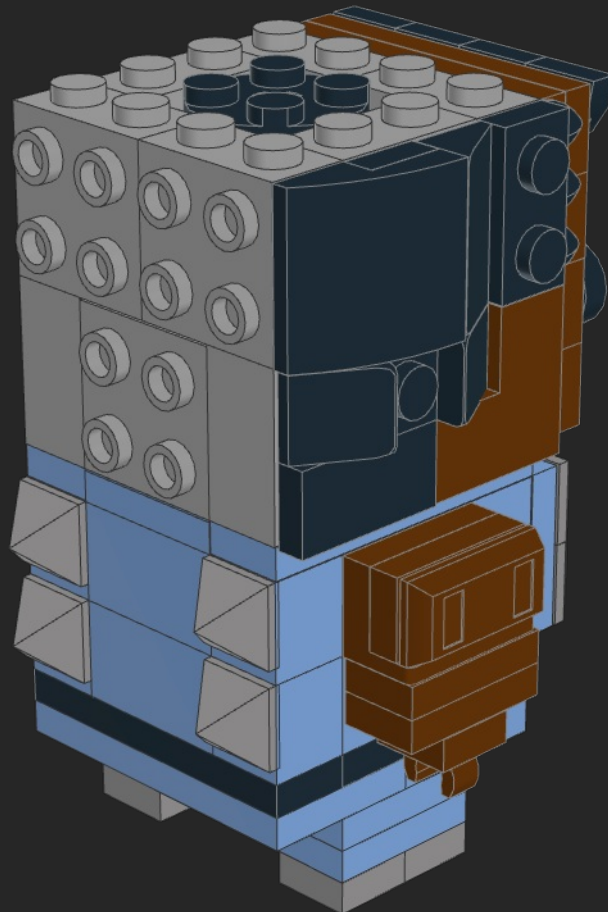
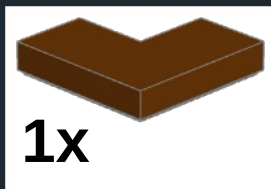
41



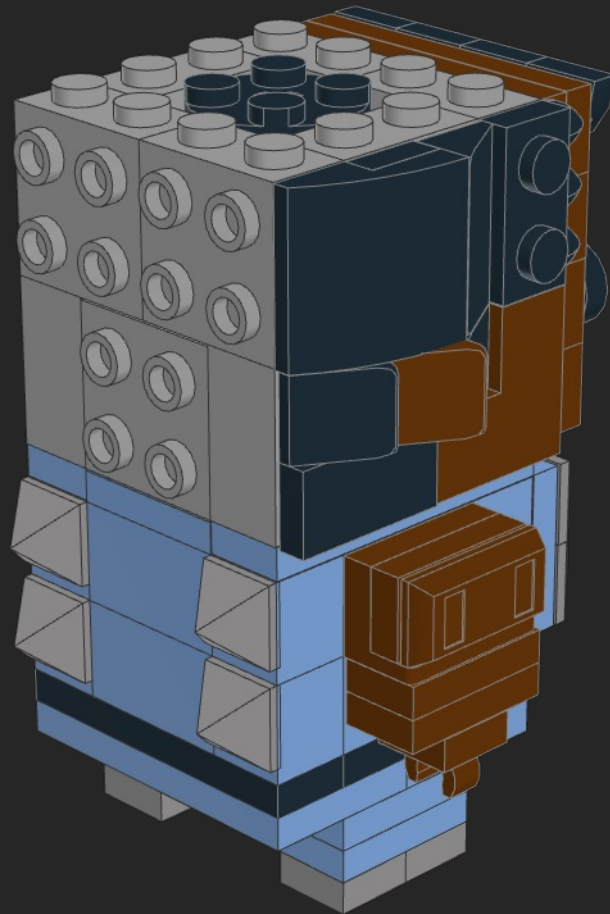
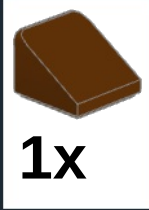
42



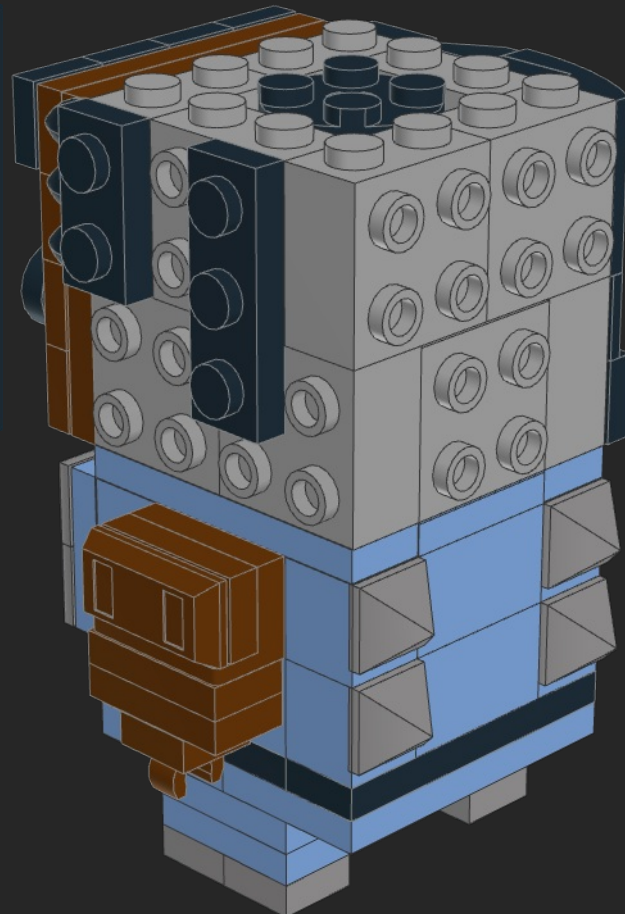
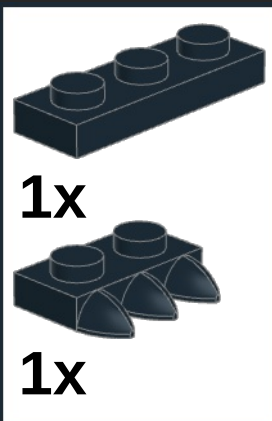
43



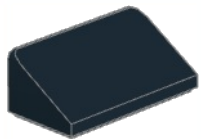
44



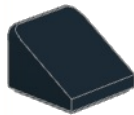
45



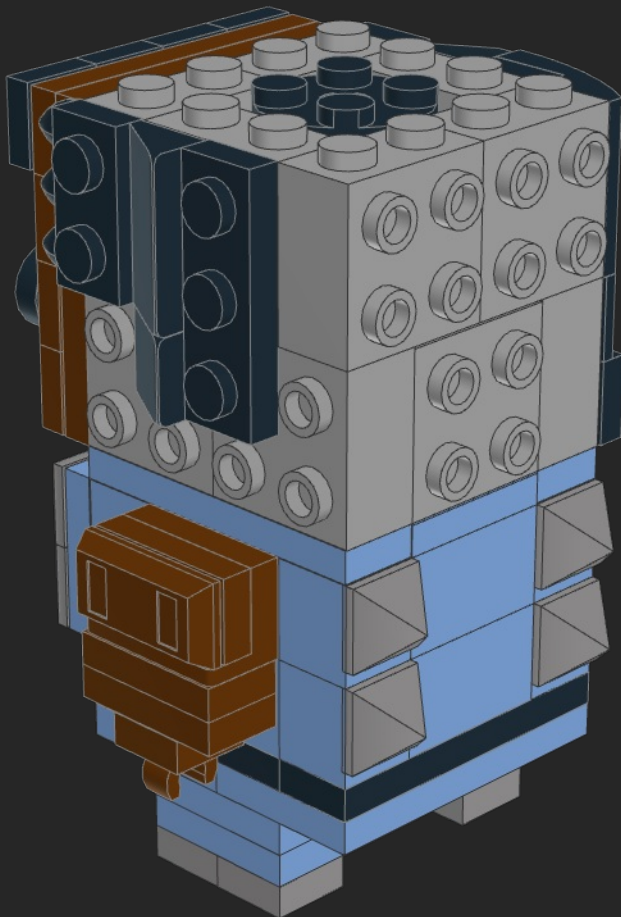
46



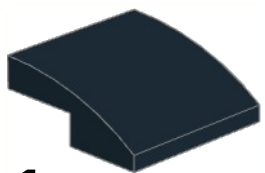
1x



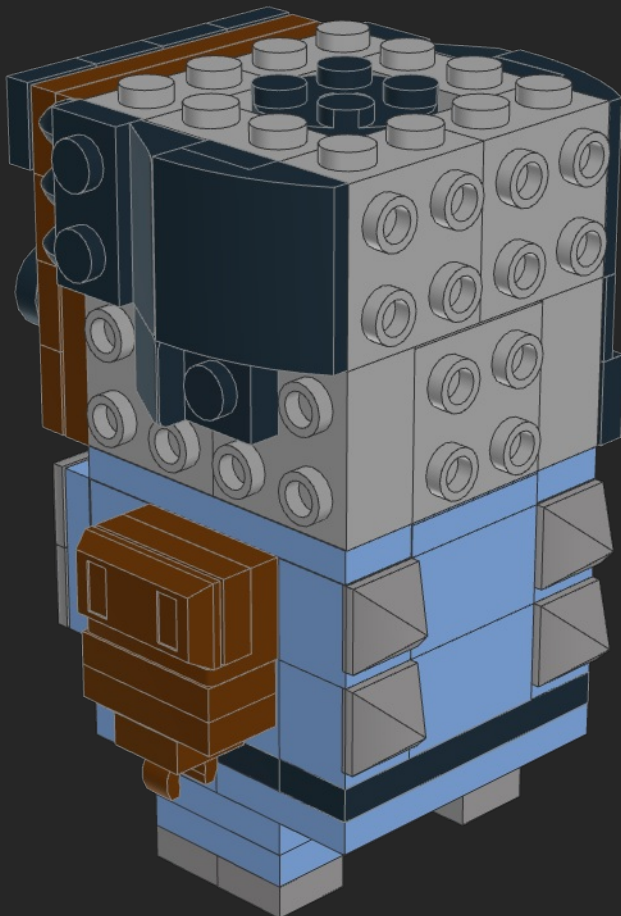
1x



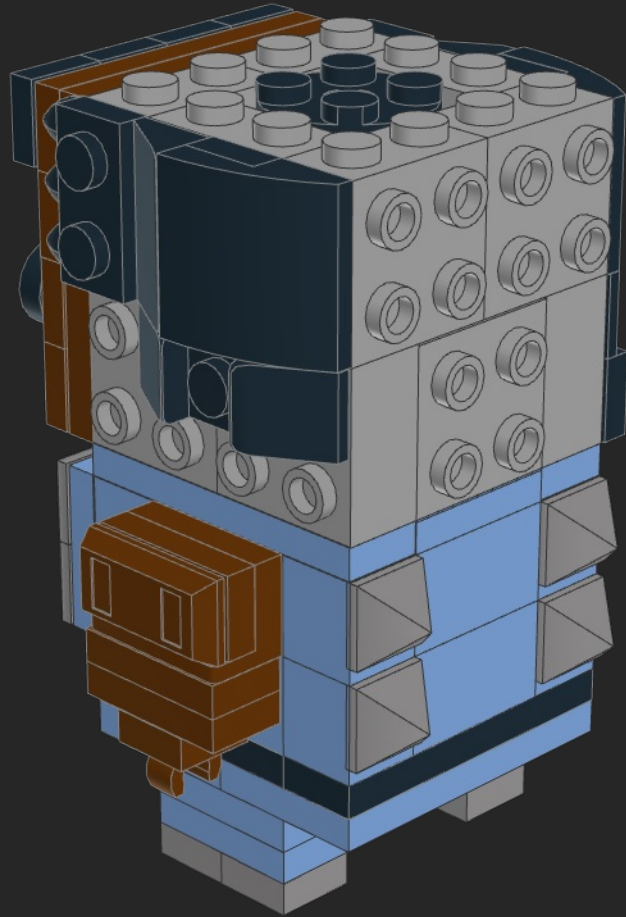
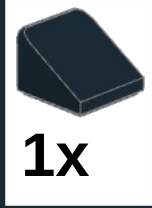
47



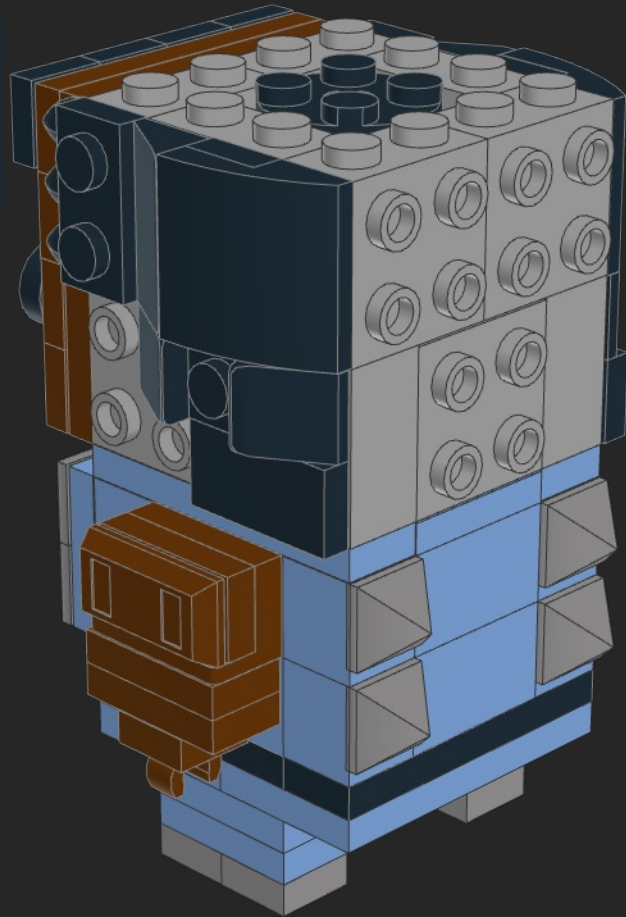
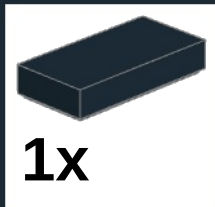
1x



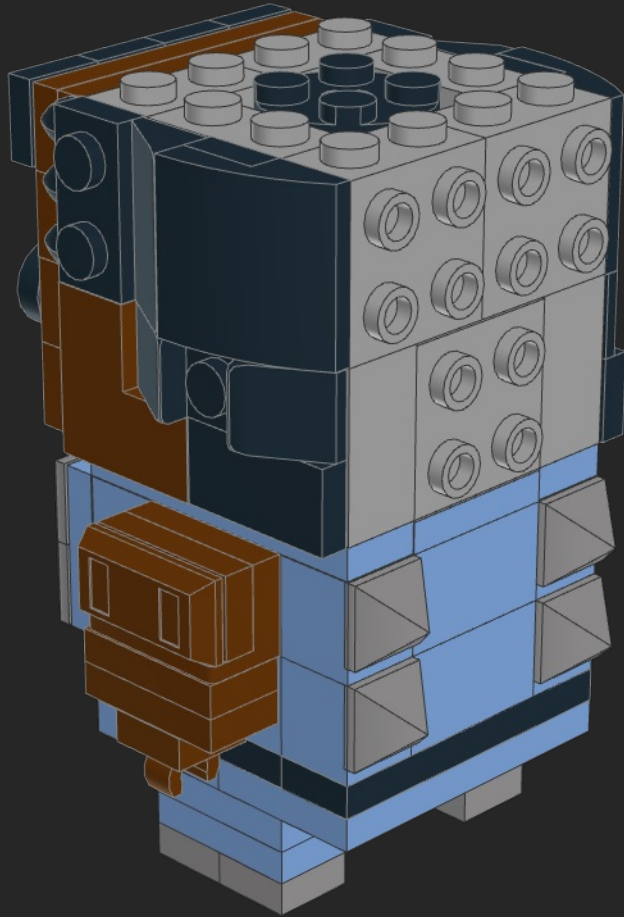
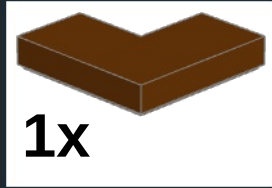
48



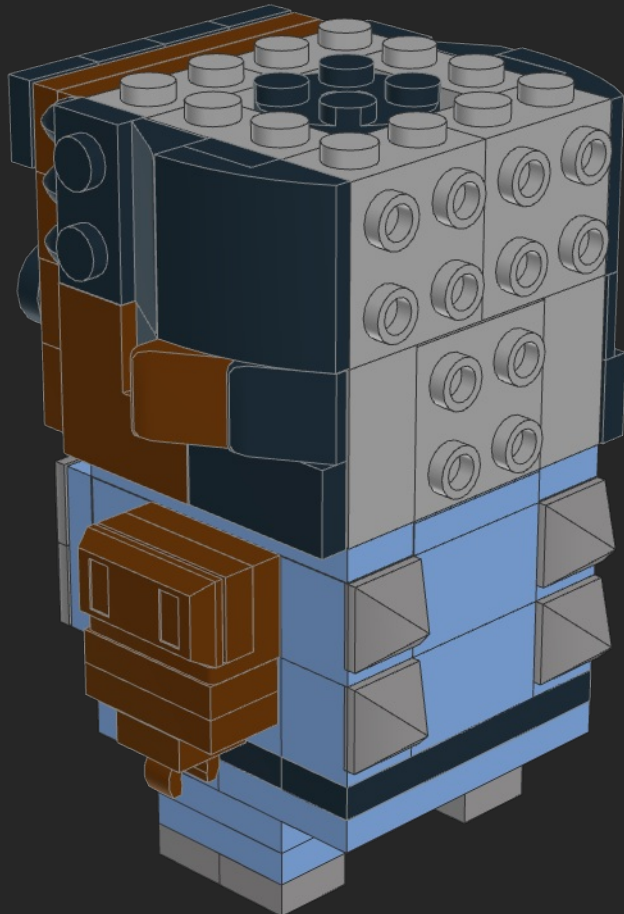
49



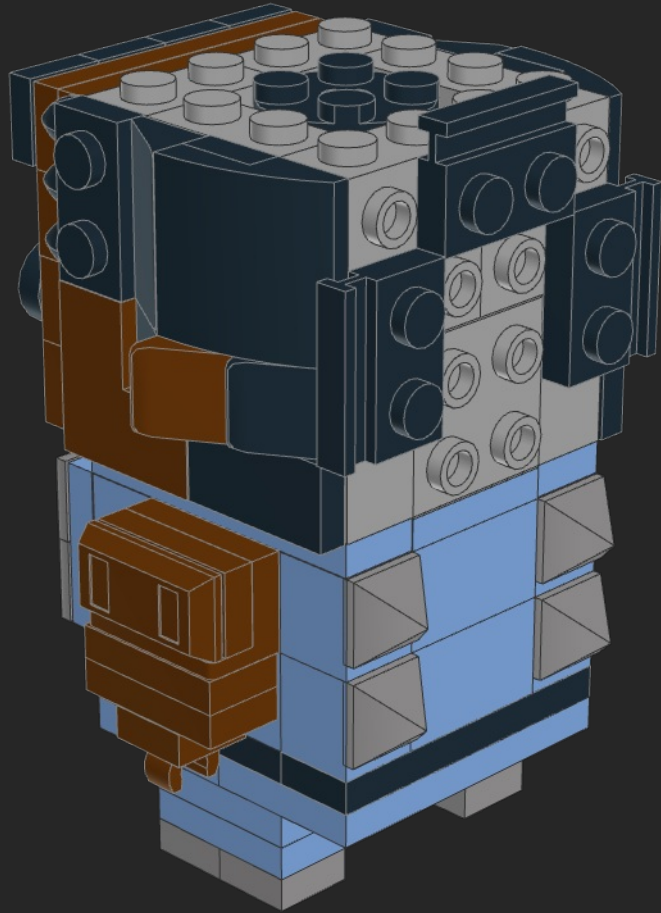
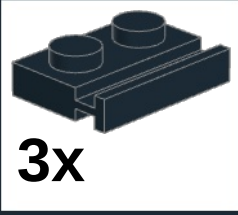
50



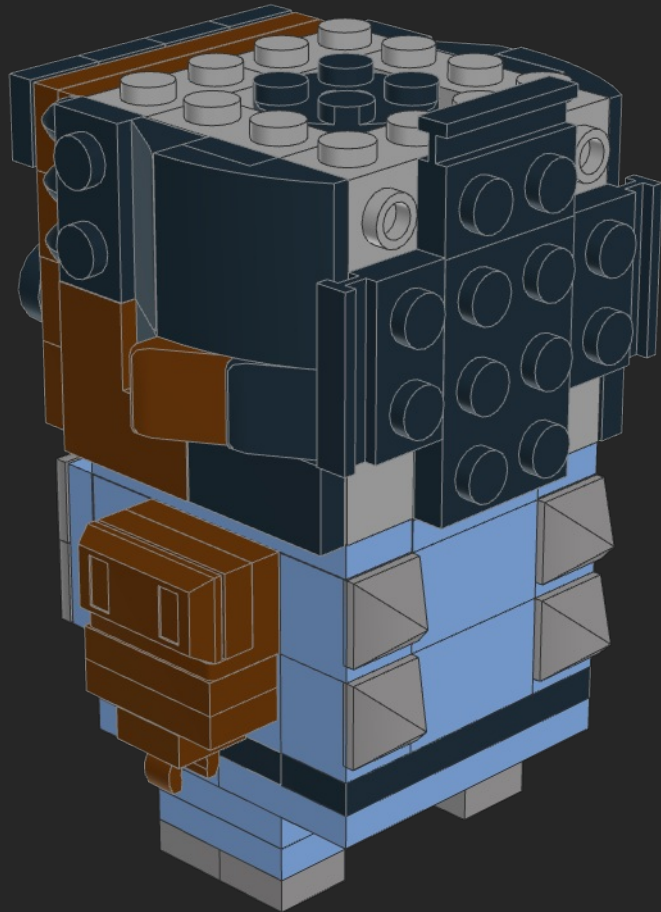
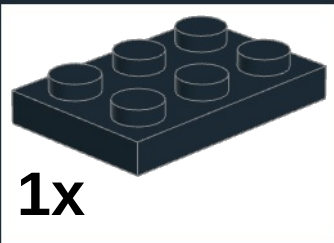
51



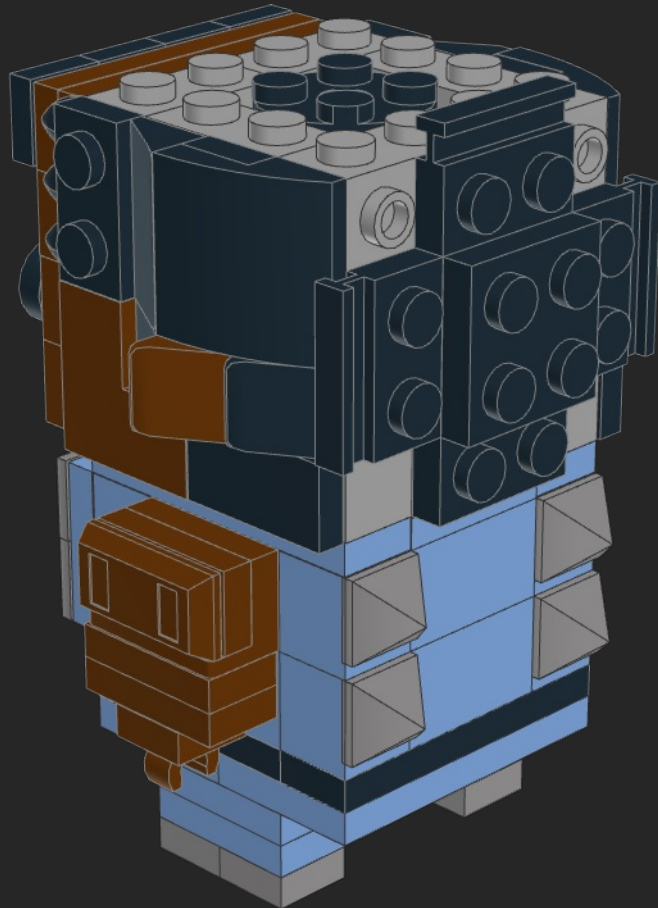
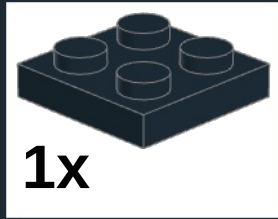
52



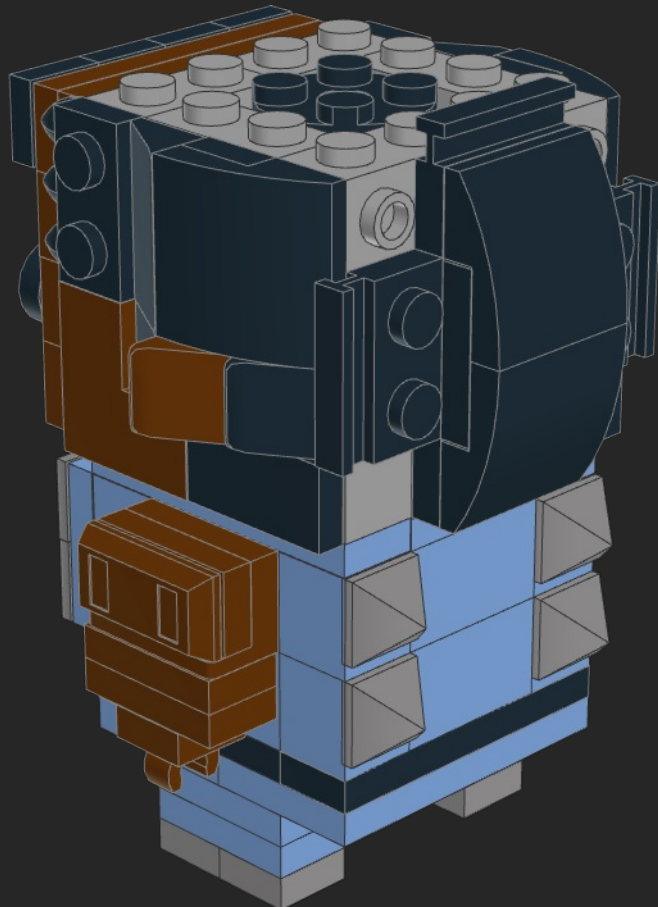
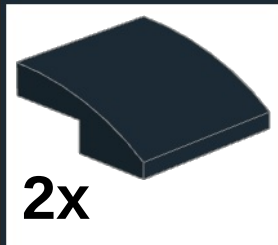
53



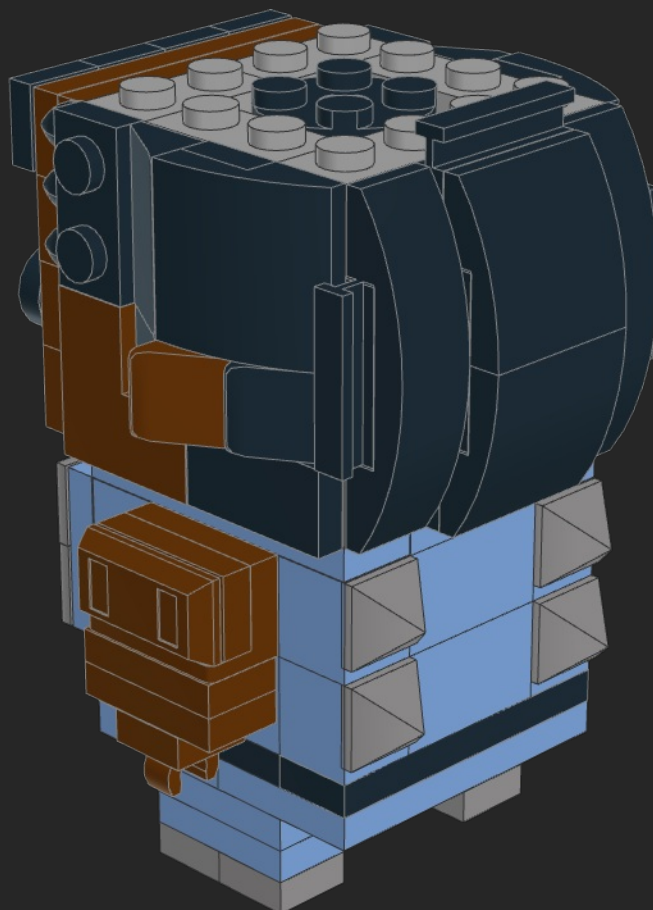
54



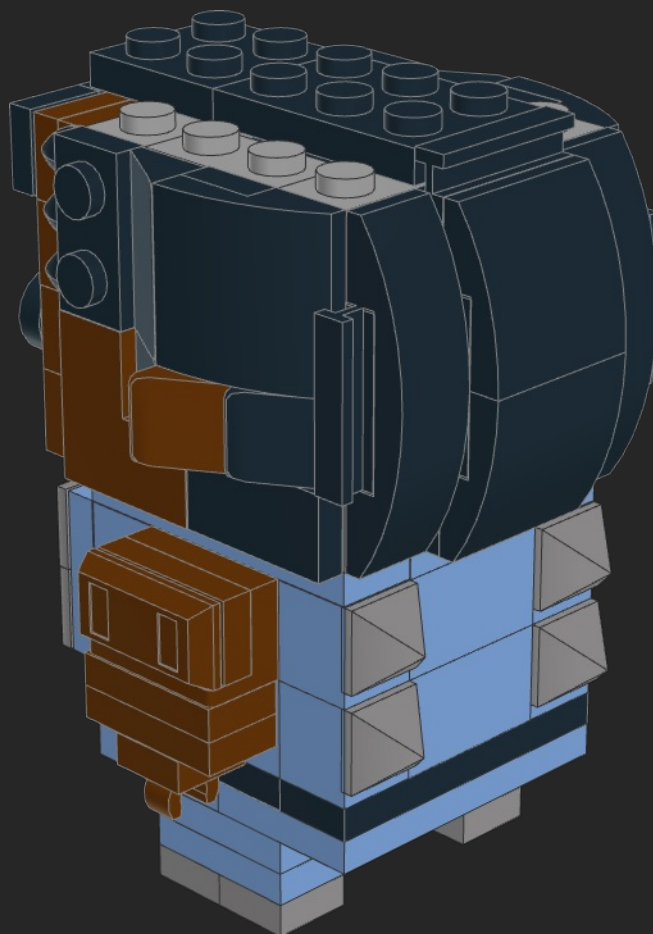
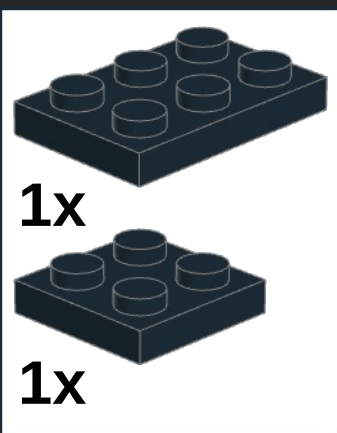
55



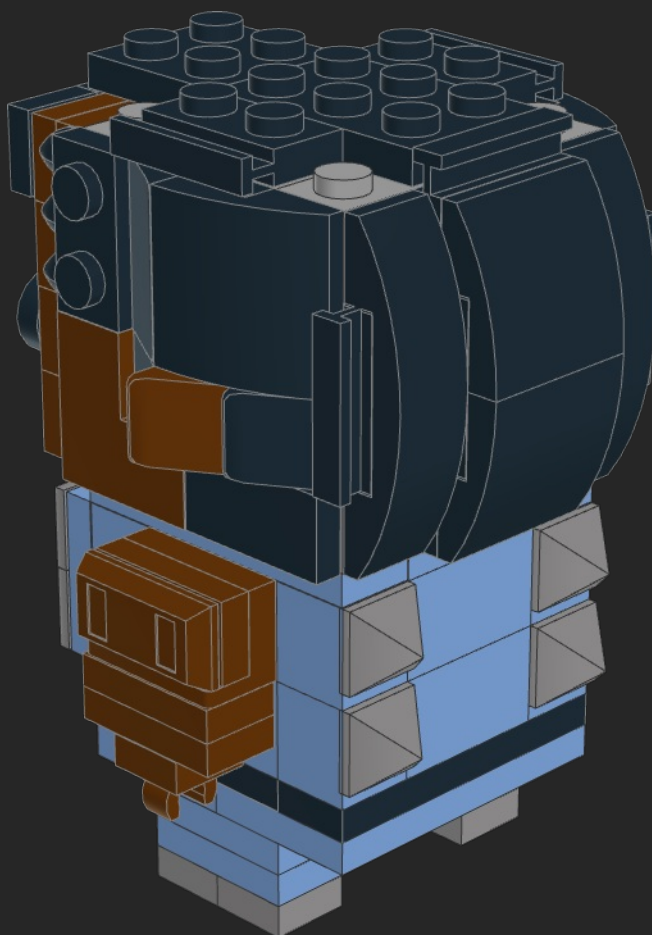
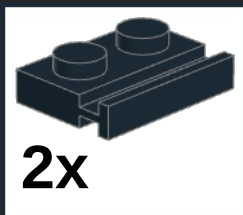
56



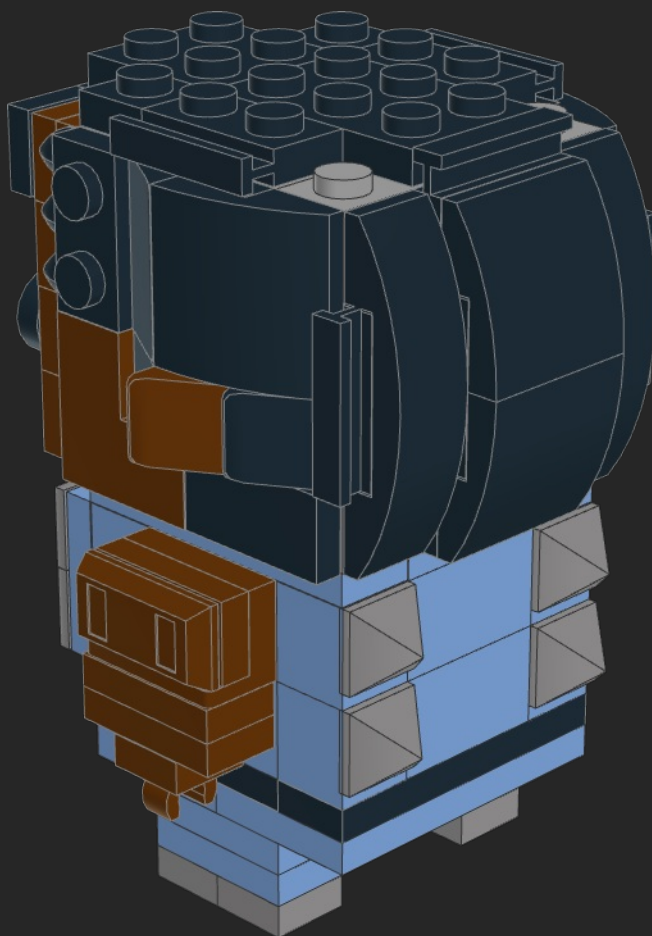
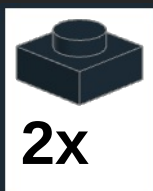
57



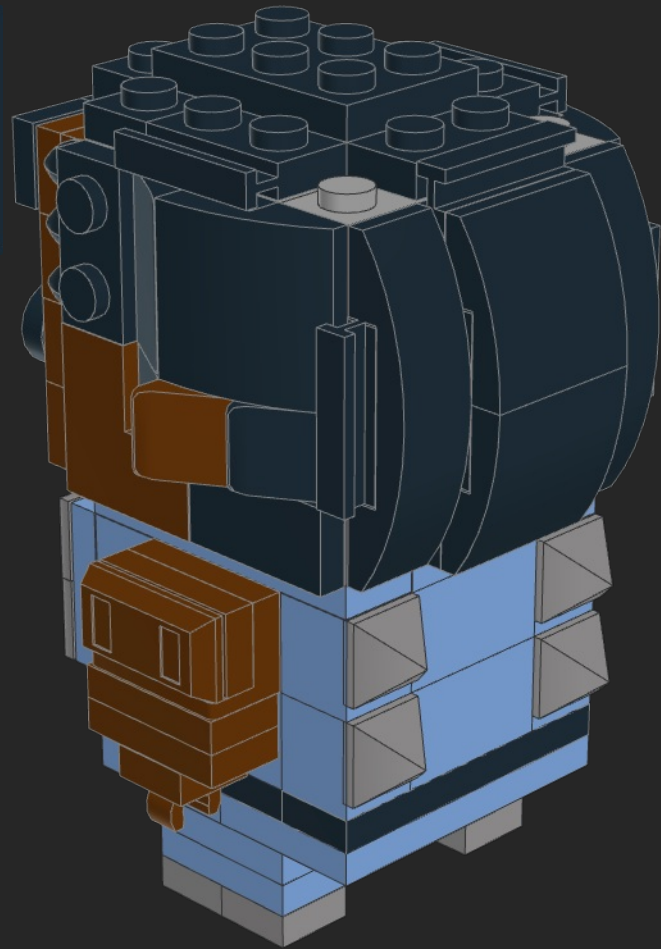
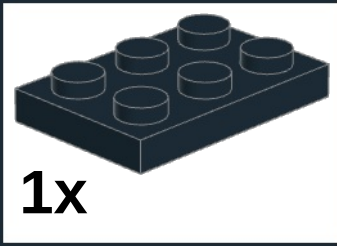
58



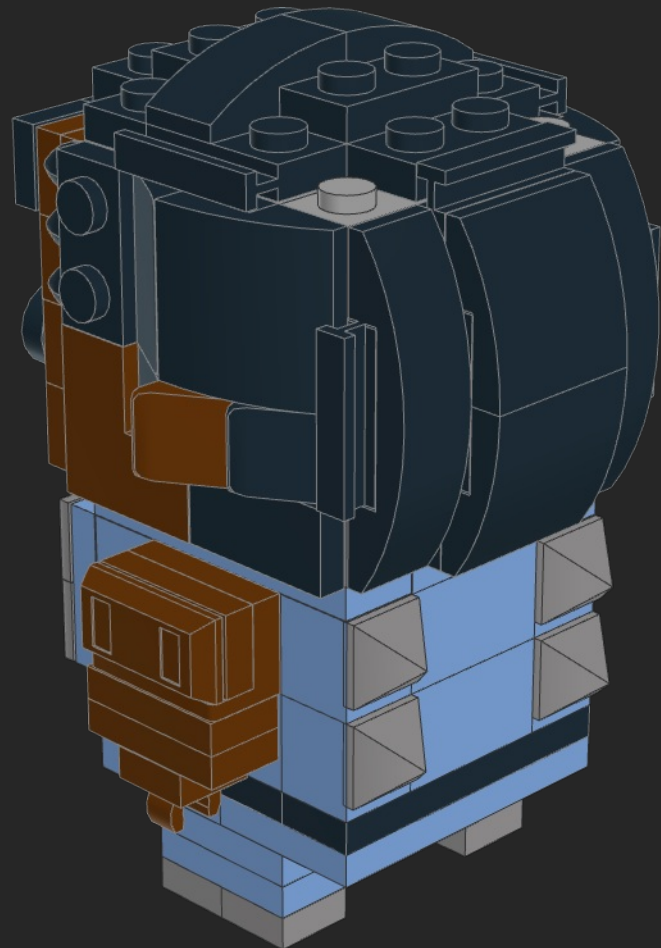
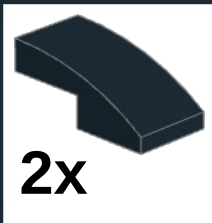
59



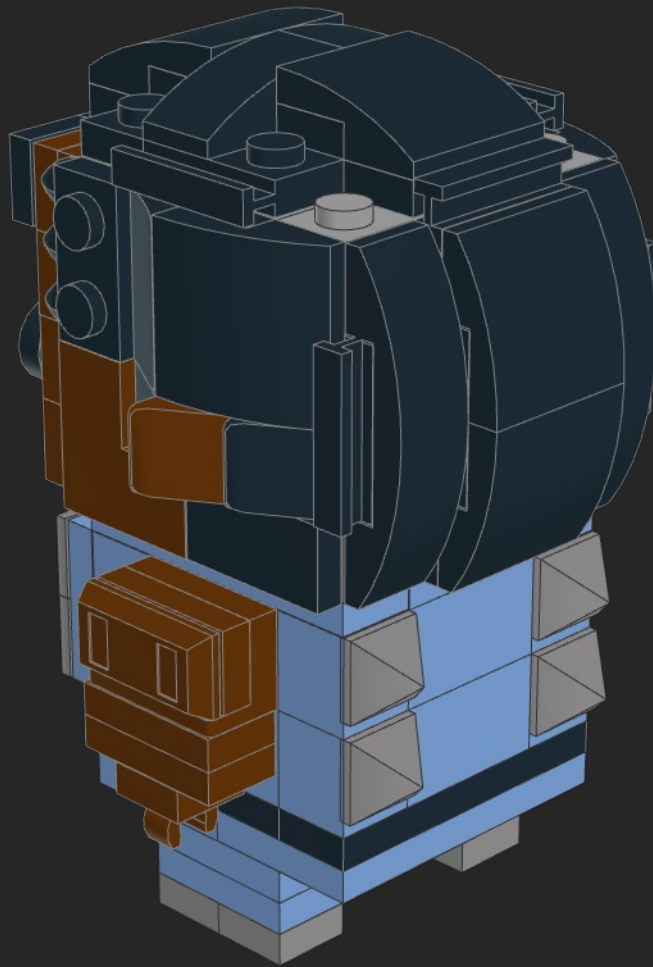
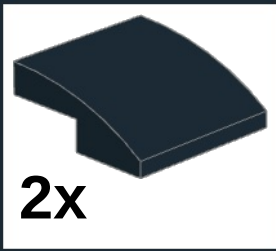
60



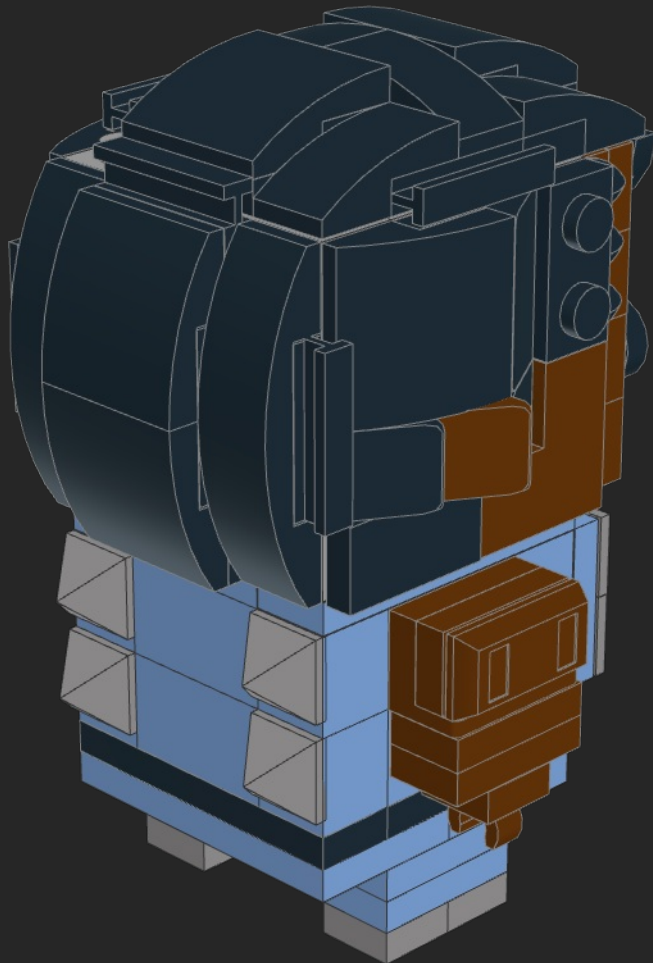
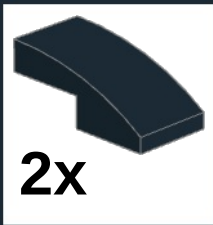
61



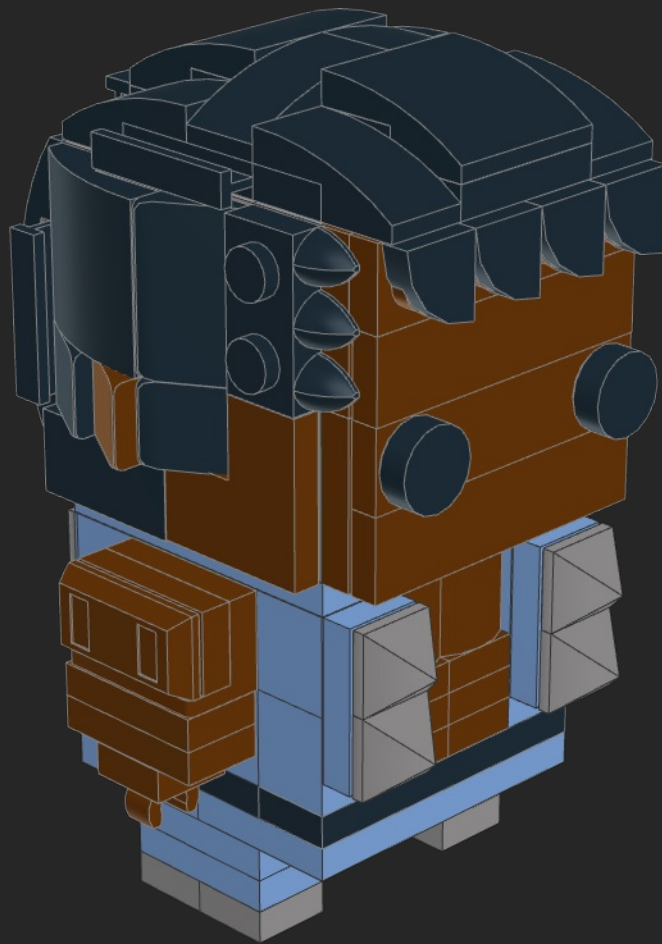
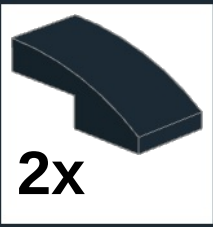
62



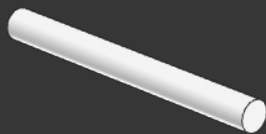
63



64



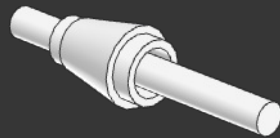
1



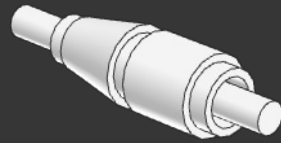
2



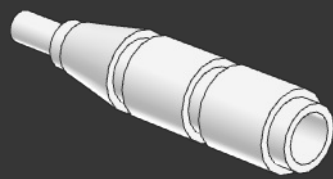
1x

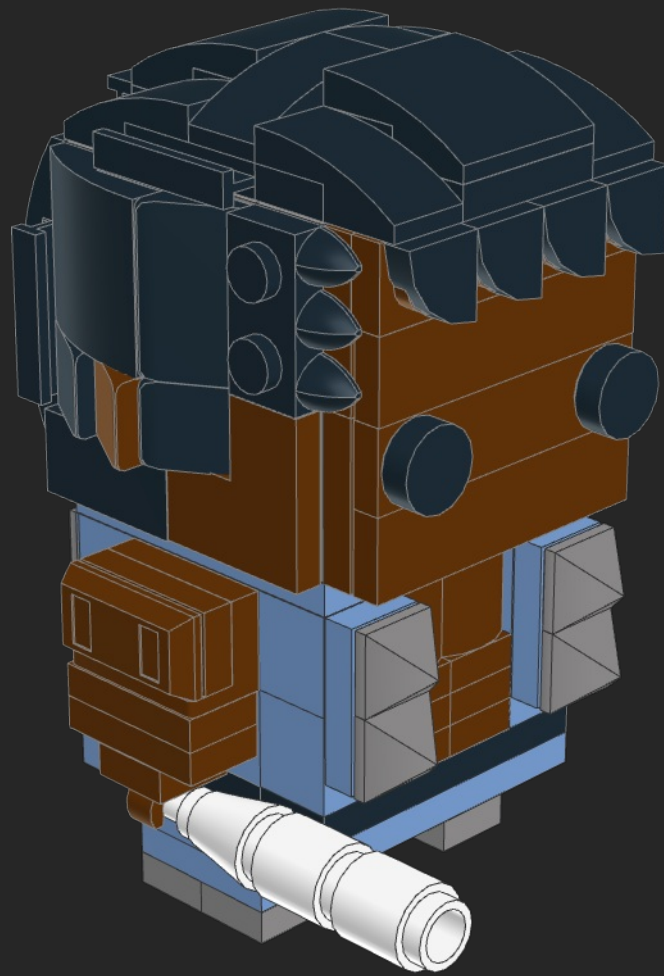


3



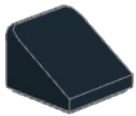
4



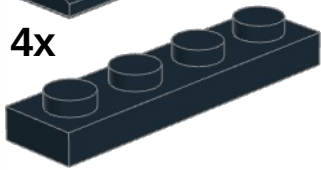




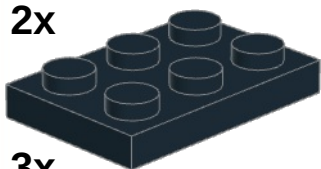
2x



4x



2x



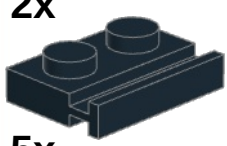
3x



2x



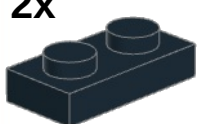
2x



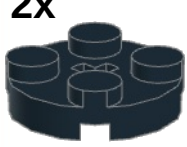
5x



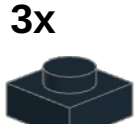
2x



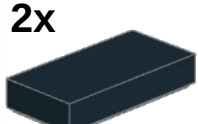
2x



3x



2x



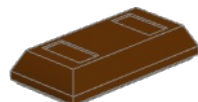
2x



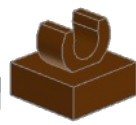
4x



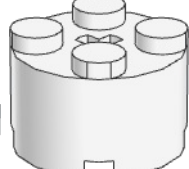
2x



2x



2x



5x



2x



1x



1x



2x



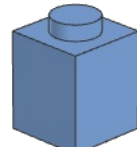
6x



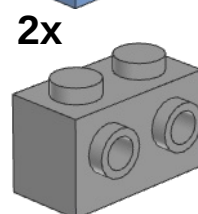
2x



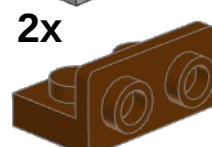
6x



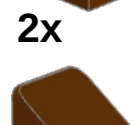
2x



2x



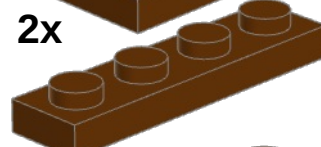
2x



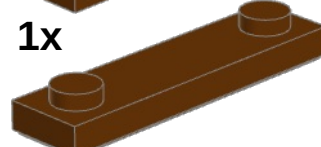
2x



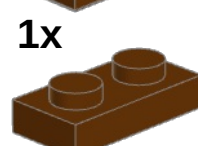
2x



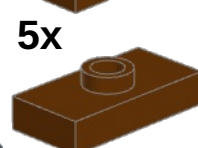
1x



1x



5x



2x



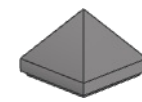
6x



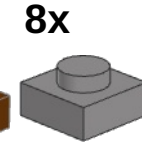
1x



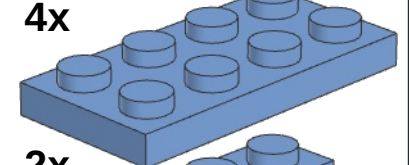
2x



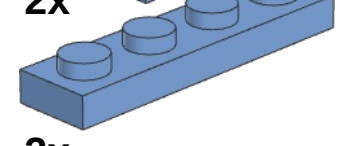
8x



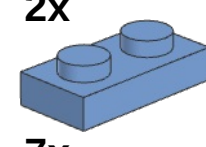
4x



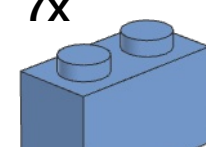
2x



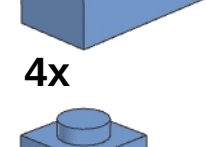
2x



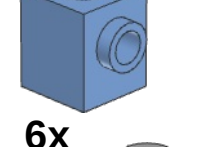
7x



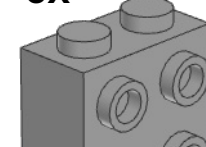
4x



6x



12x



Honorable mentions of contributors:

Teg12345



Hope you had fun with this model and instructions.
As always you can reach out to me via email:
birdbrickbuilds@gmail.com

You can also check my work on rebrickable and
instagram:

<https://rebrickable.com/users/birdbrickbuilds/>
<https://www.instagram.com/birdbrickbuilds/>

If you wish to help me continue to make this
models and instructions you can buy me a coffee
to help me stay up late:

<https://www.buymeacoffee.com/birdbrickbl>

Or you can buy my Coffee Espresso MOC:
<https://reb.li/m/118798>

Or even you can buy my Beer Mug MOC:
<https://reb.li/m/137364>



This work is licensed under a [Creative Commons Attribution-NonCommercial-ShareAlike 4.0 International License](https://creativecommons.org/licenses/by-nc-sa/4.0/).