



Billy Lee

Model instructions by  
Bird Brick Builds

Author: Eduardo Sousa



131 Parts

WORK RAM	OK
ROM 1	OK
ROM 2	OK
ROM 3	OK
ROM 4	OK
63701	OK





# Attribution-NonCommercial-ShareAlike 4.0 International (CC BY-NC-SA 4.0)

This is a human-readable summary of (and not a substitute for) the [license](#). [Disclaimer](#).

## You are free to:

**Share** — copy and redistribute the material in any medium or format

**Adapt** — remix, transform, and build upon the material

The licensor cannot revoke these freedoms as long as you follow the [license terms](#).

---

## Under the following terms:



**Attribution** — You must give [appropriate credit](#), provide a link to the license, and [indicate if changes were made](#). You may do so in any reasonable manner, but not in any way that suggests the licensor endorses you or your use.



**NonCommercial** — You may not use the material for [commercial purposes](#).



**ShareAlike** — If you remix, transform, or build upon the material, you must distribute your contributions under the [same license](#) as the original.

**No additional restrictions** — You may not apply legal terms or [technological measures](#) that legally restrict others from doing anything the license permits.

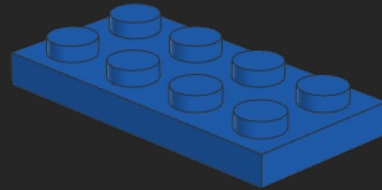
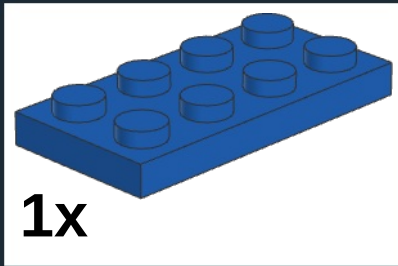
---

## Notices:

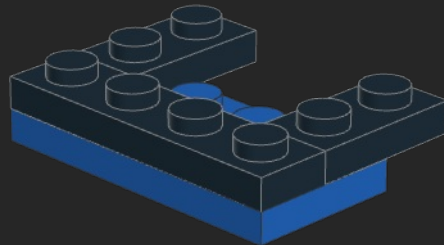
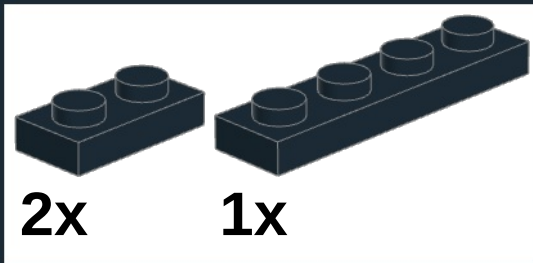
You do not have to comply with the license for elements of the material in the public domain or where your use is permitted by an applicable [exception or limitation](#).

No warranties are given. The license may not give you all of the permissions necessary for your intended use. For example, other rights such as [publicity, privacy, or moral rights](#) may limit how you use the material.

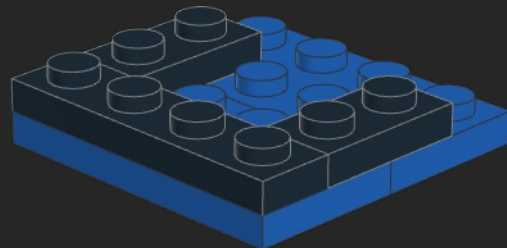
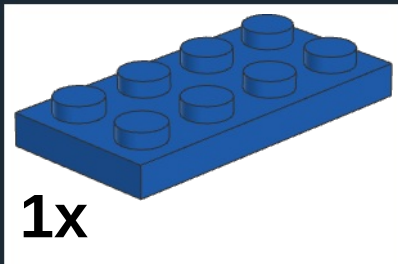
1



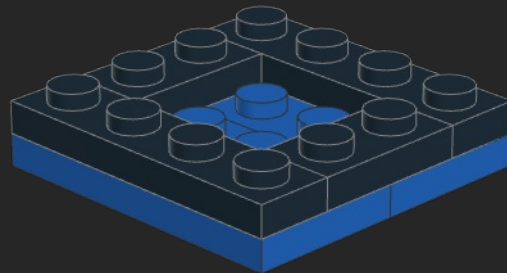
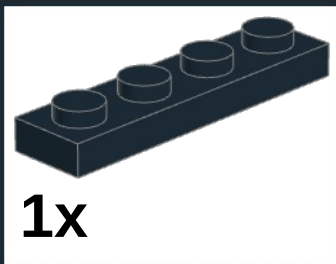
2



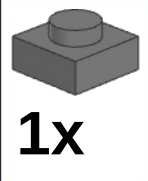
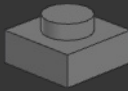
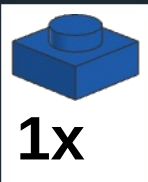
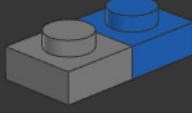
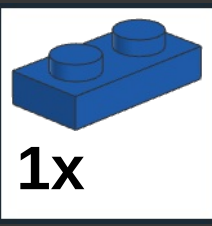
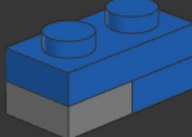
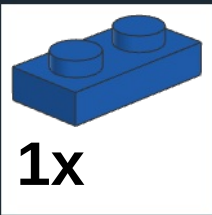
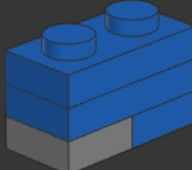
3



4

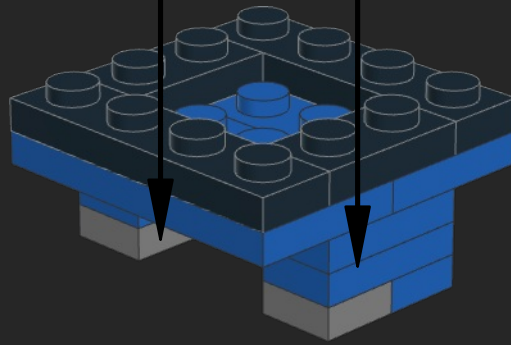
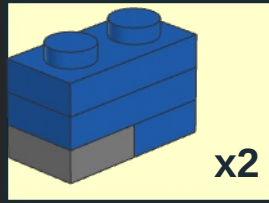




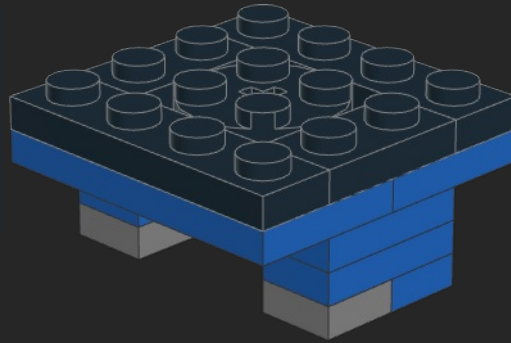
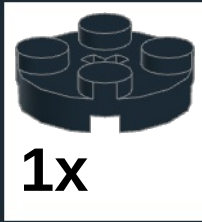
- 1  **1x** 
- 2  **1x** 
- 3  **1x** 
- 4  **1x** 

**x2**

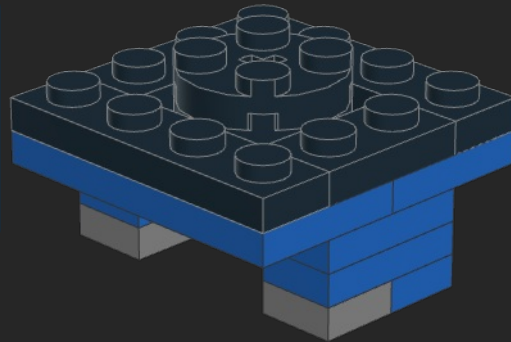
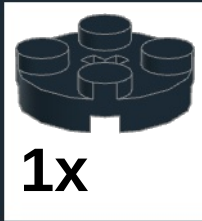
5



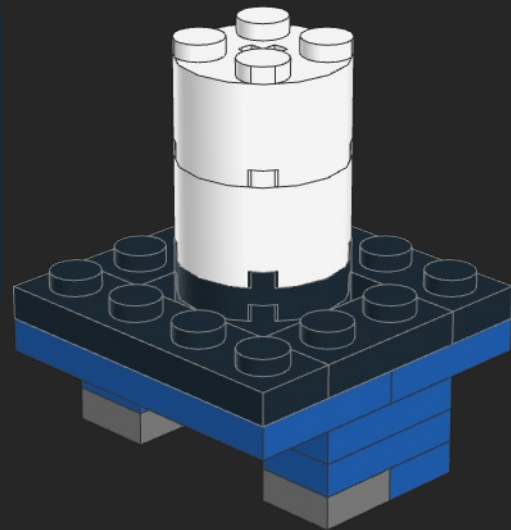
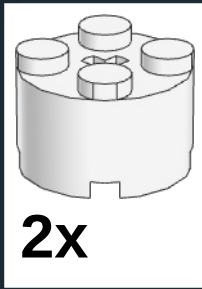
6



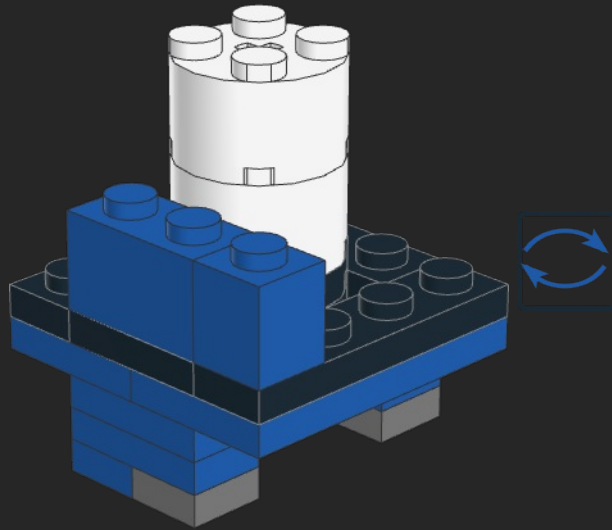
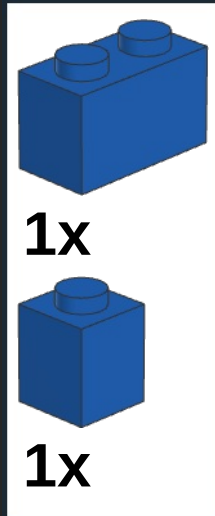
7



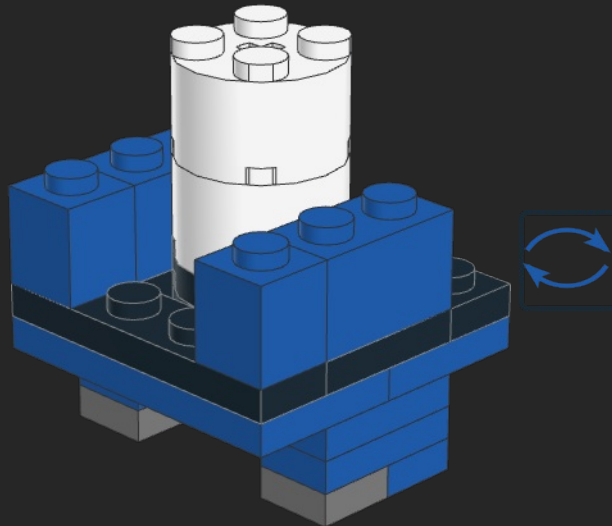
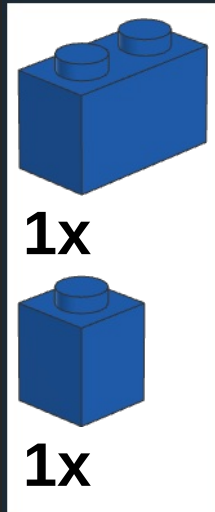
8



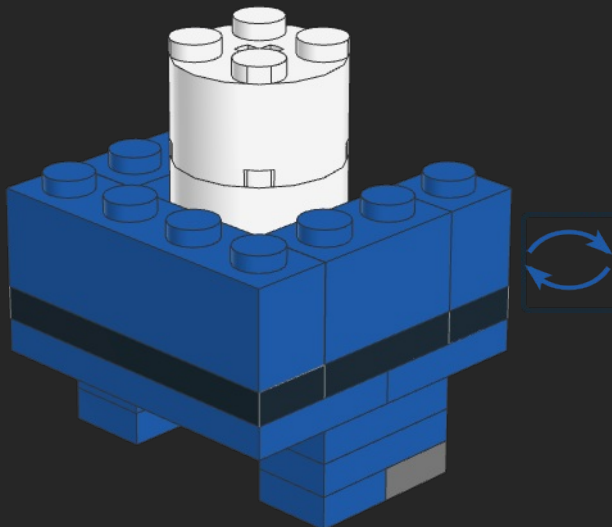
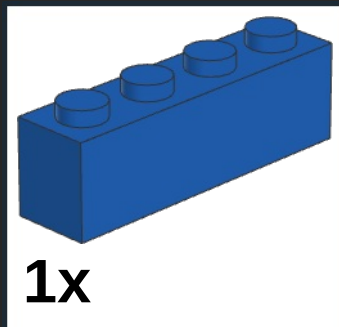
9



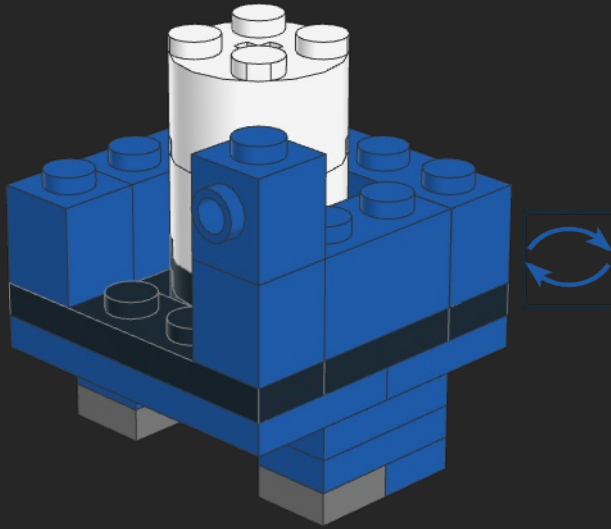
10



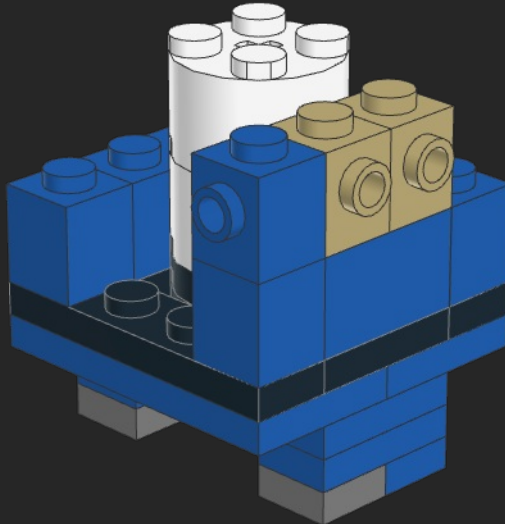
11



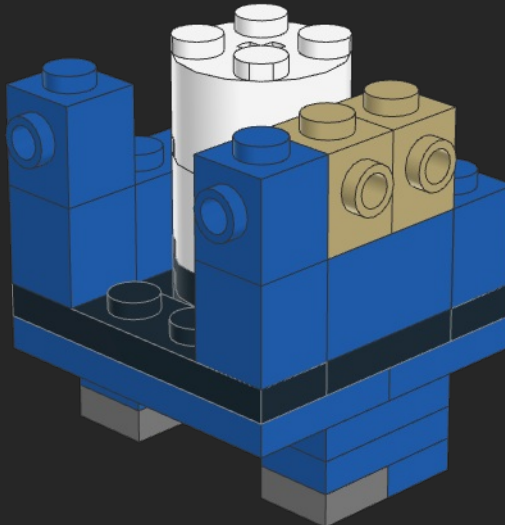
12



13

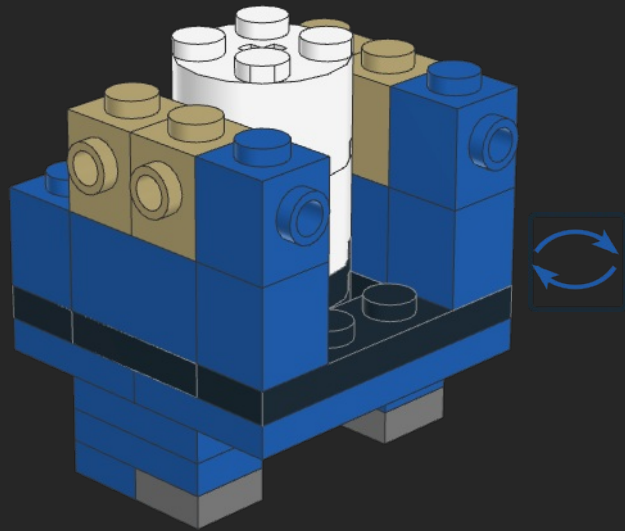
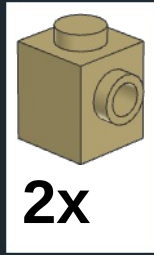


14

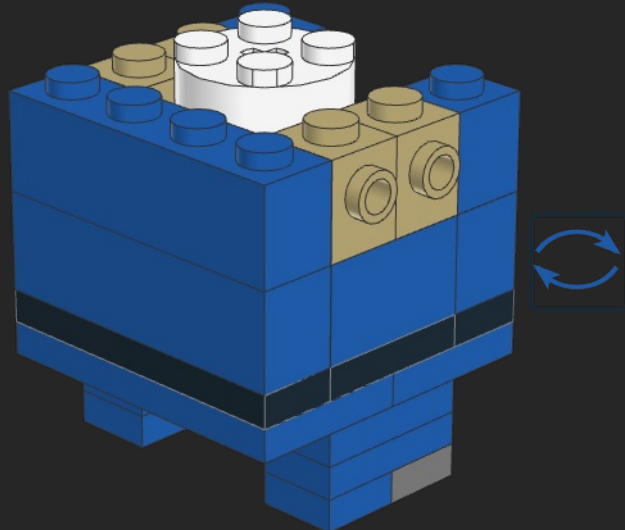
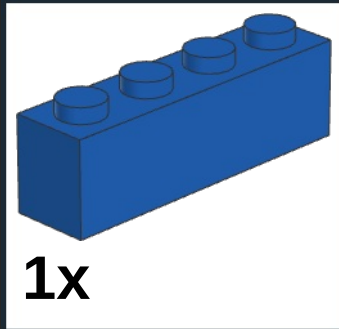




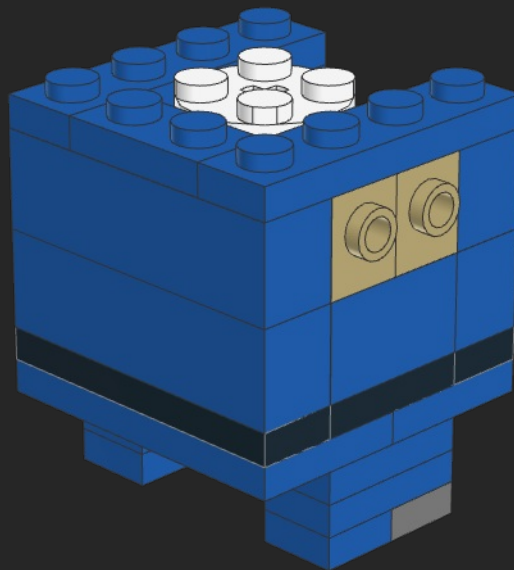
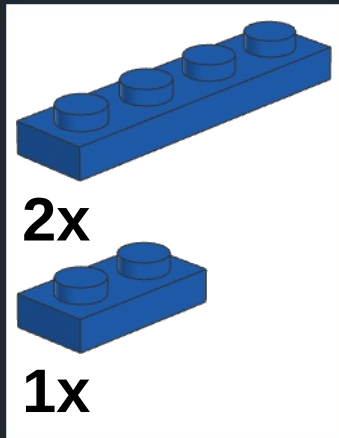
15

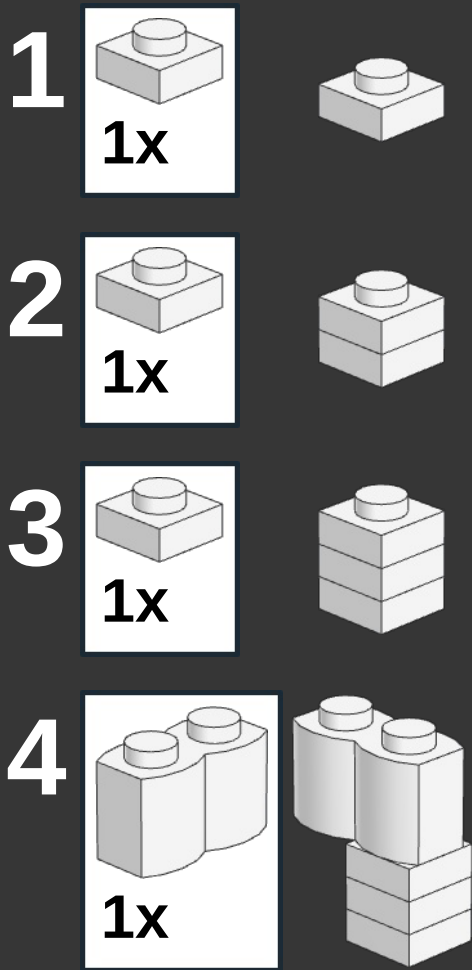


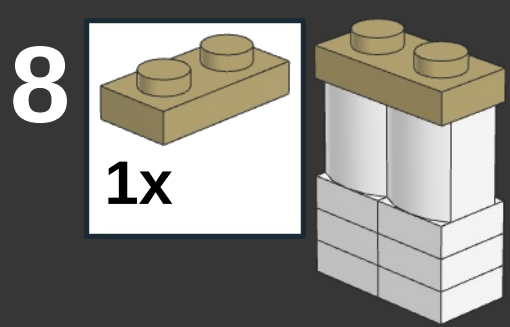
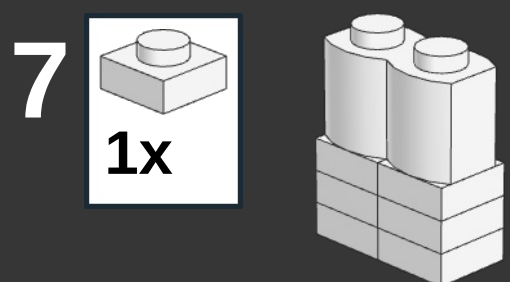
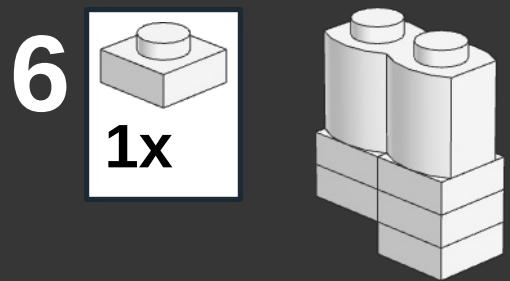
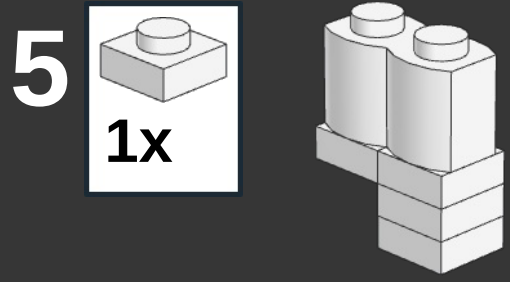
16

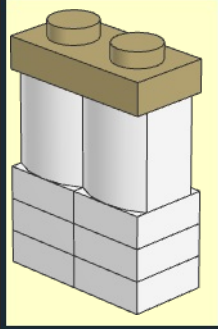


17

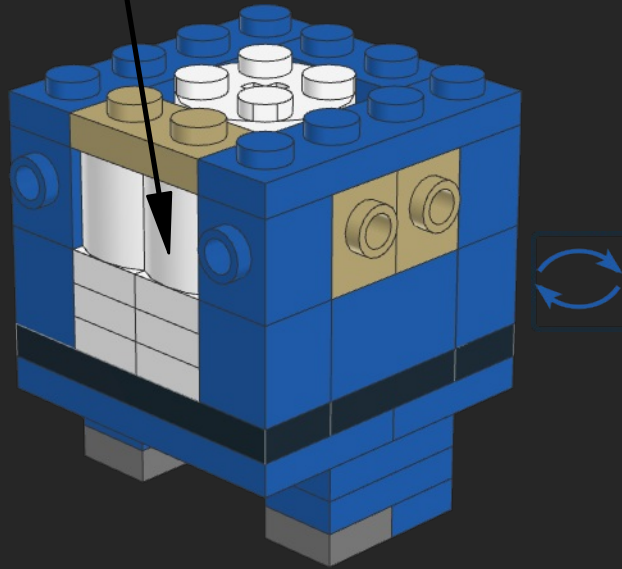




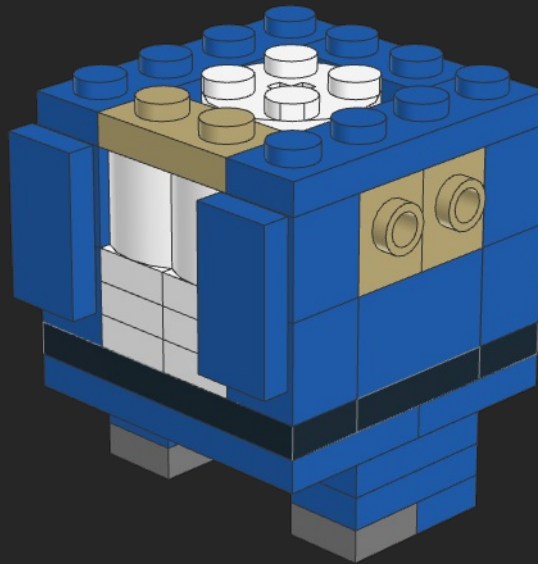
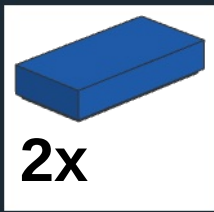




18

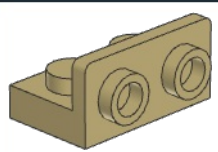


19

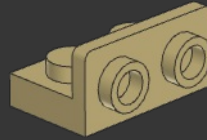




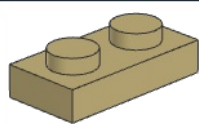
1



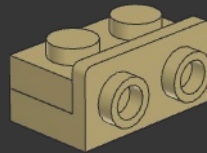
1x



2



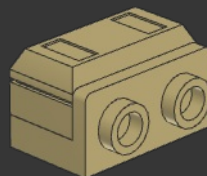
1x



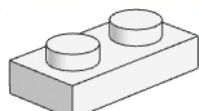
3



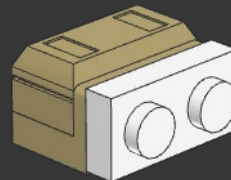
1x



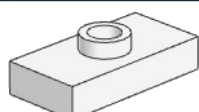
4



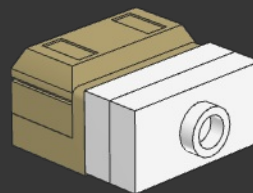
1x



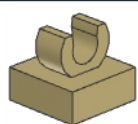
5



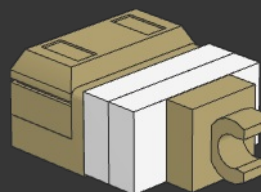
1x



6

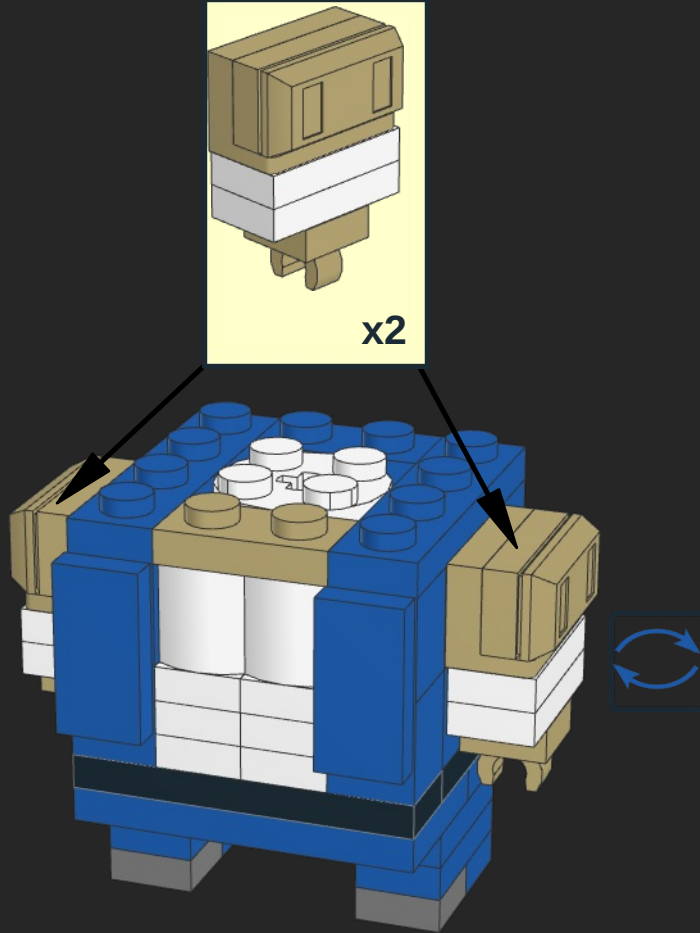


1x

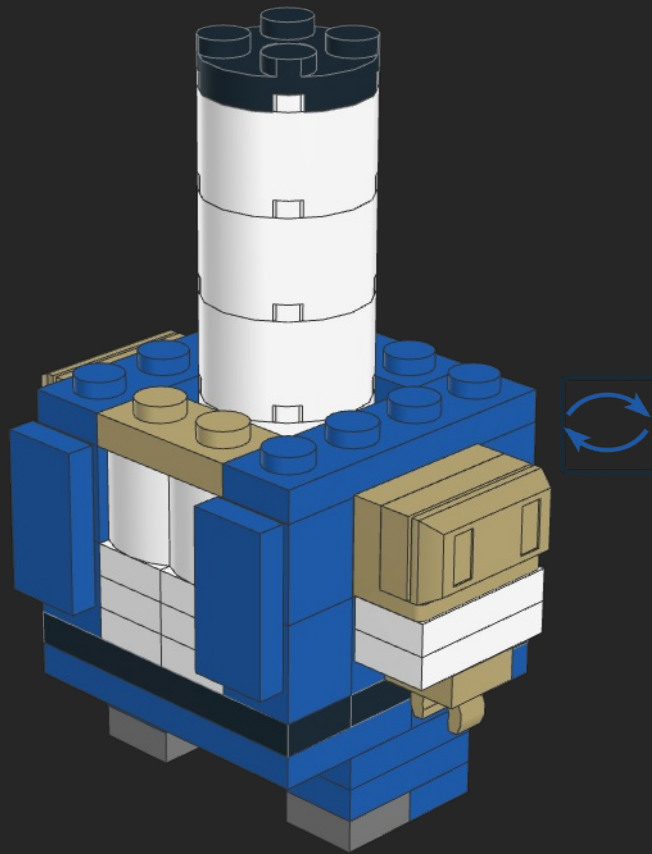
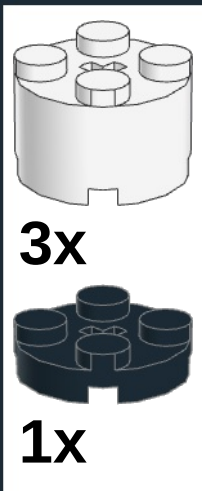


x2

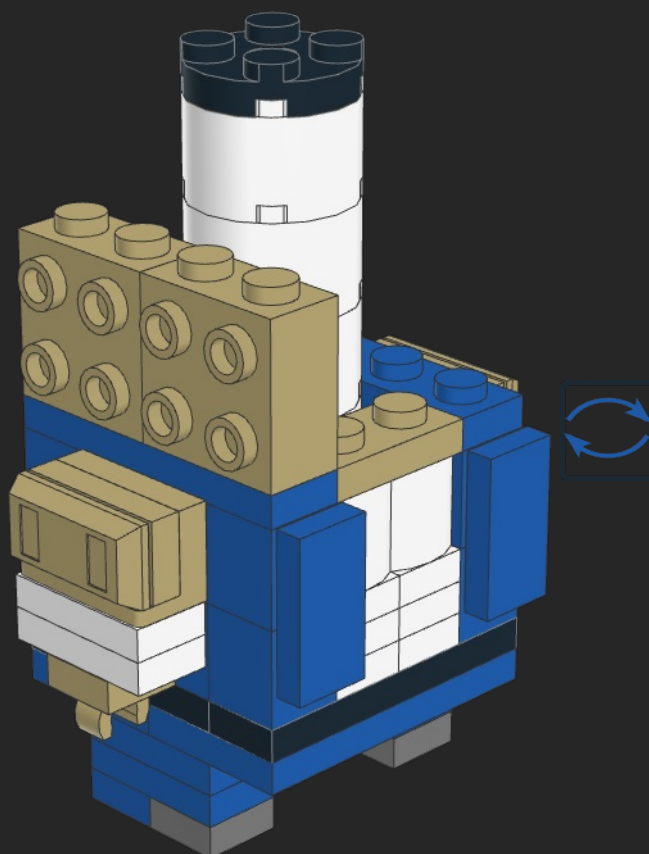
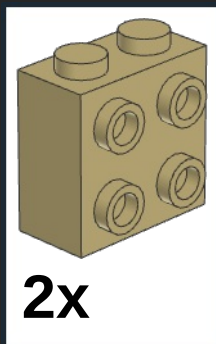
20



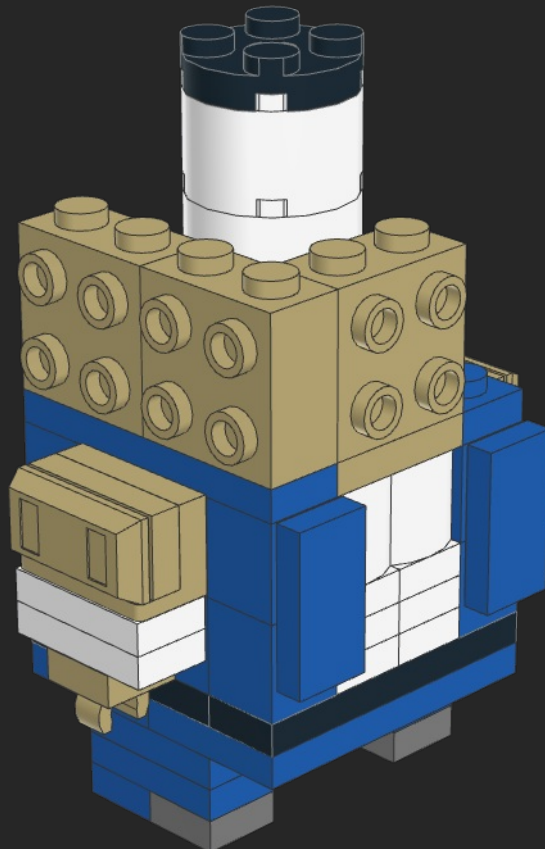
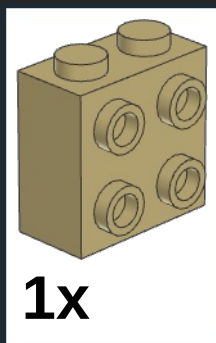
21



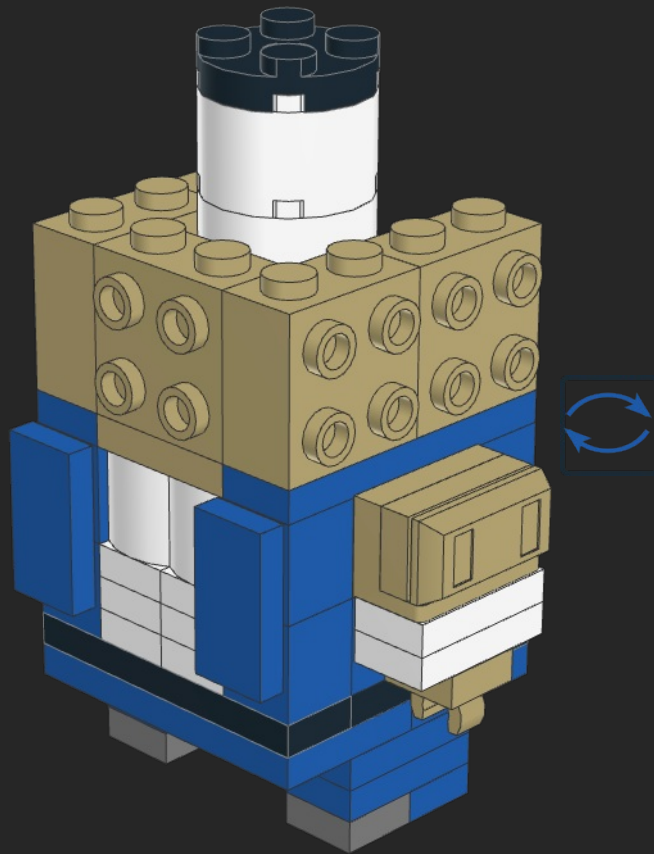
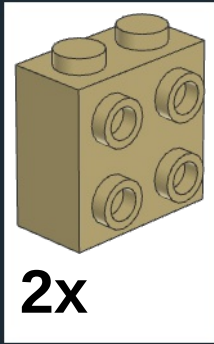
22



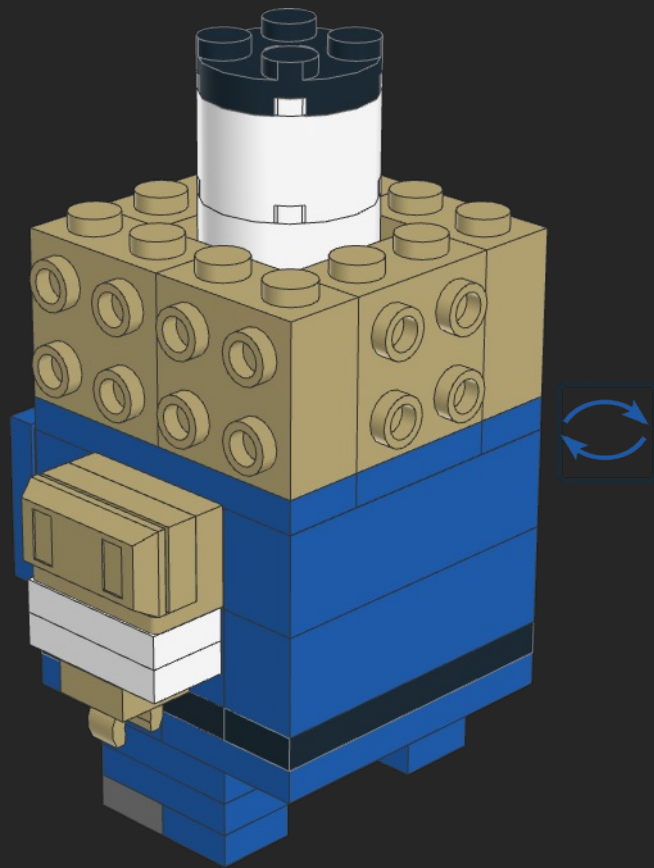
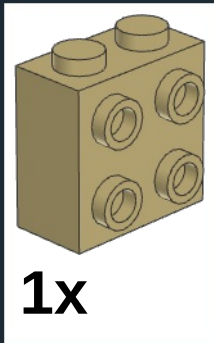
23



24

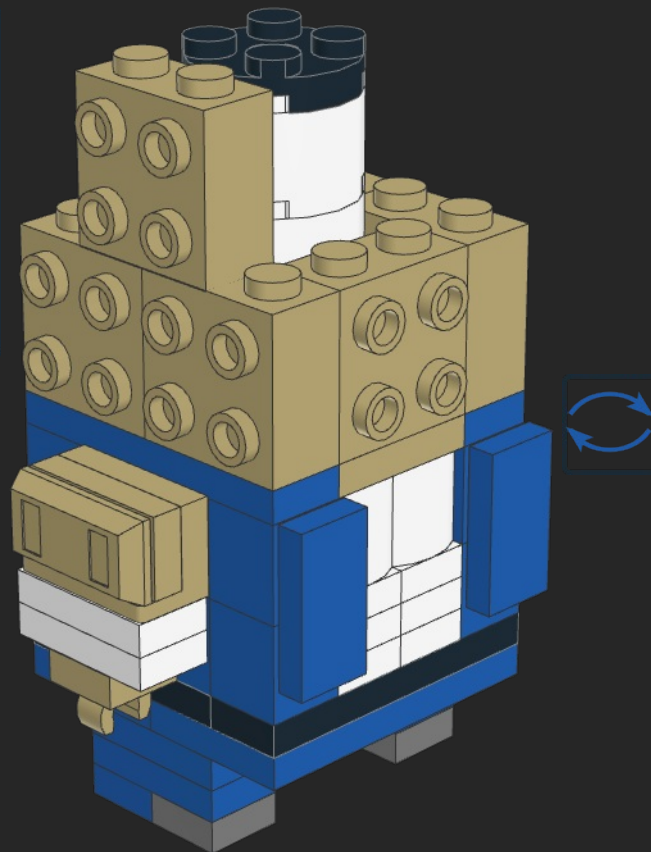
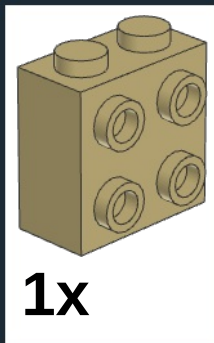


25

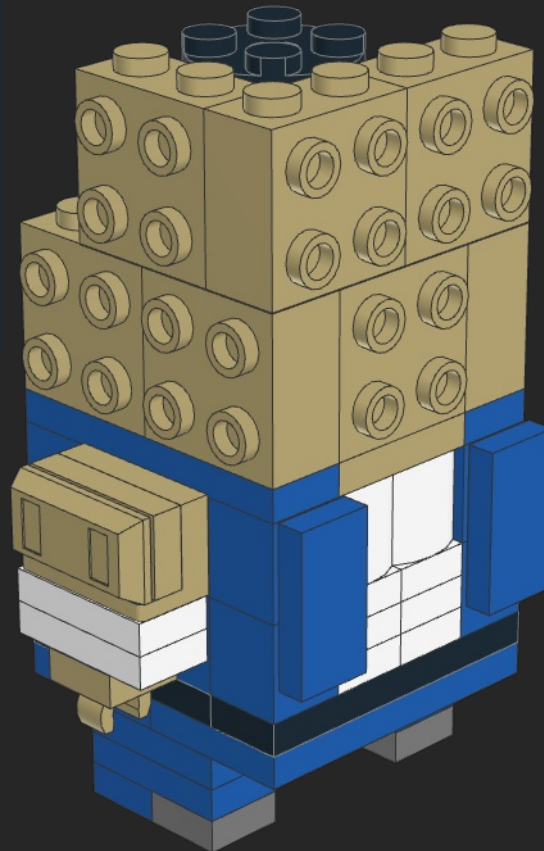
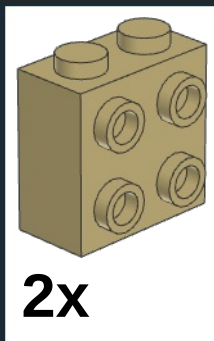




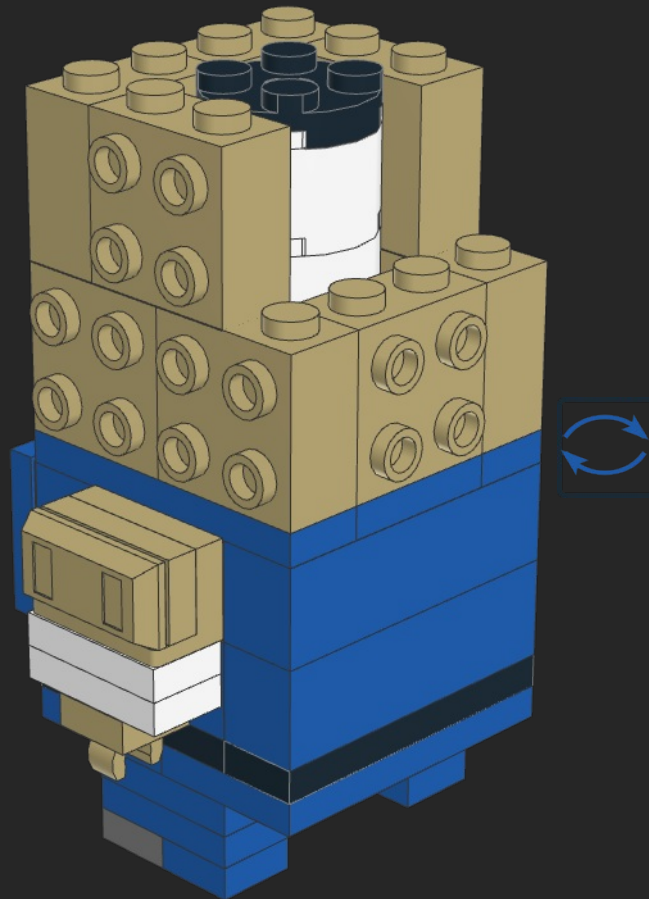
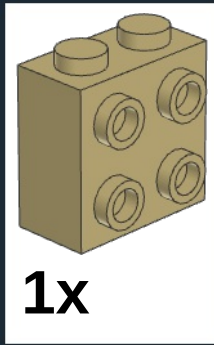
26



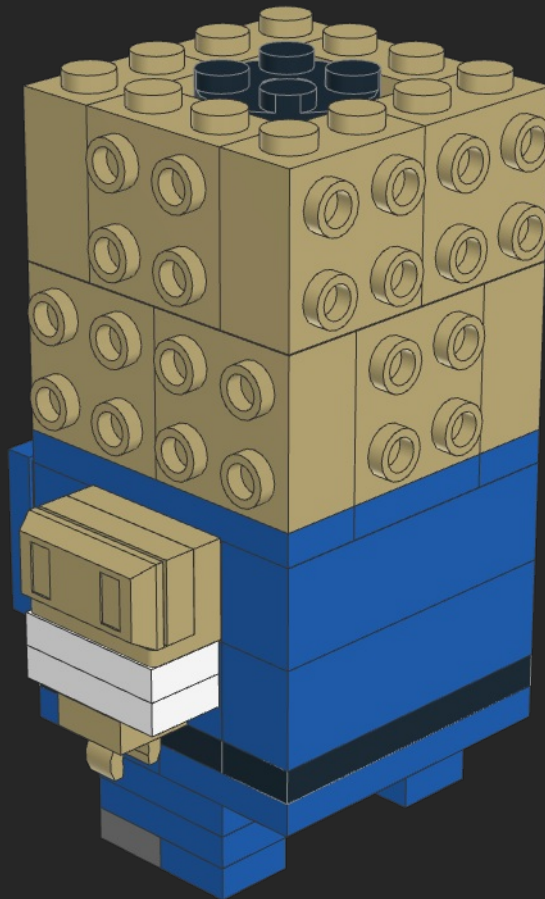
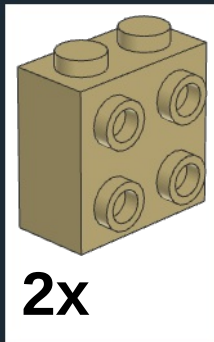
27



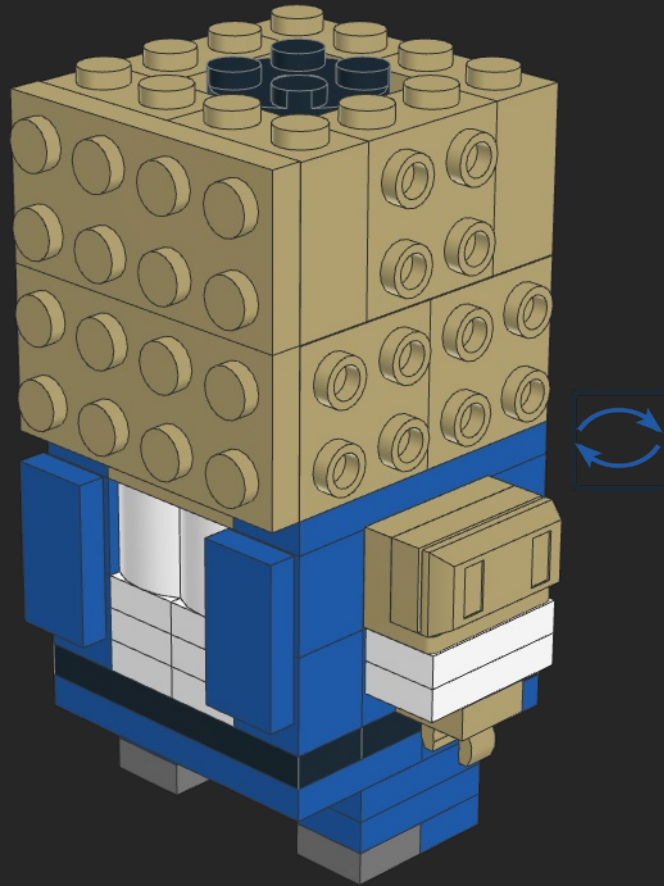
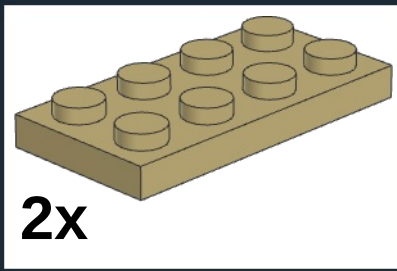
28



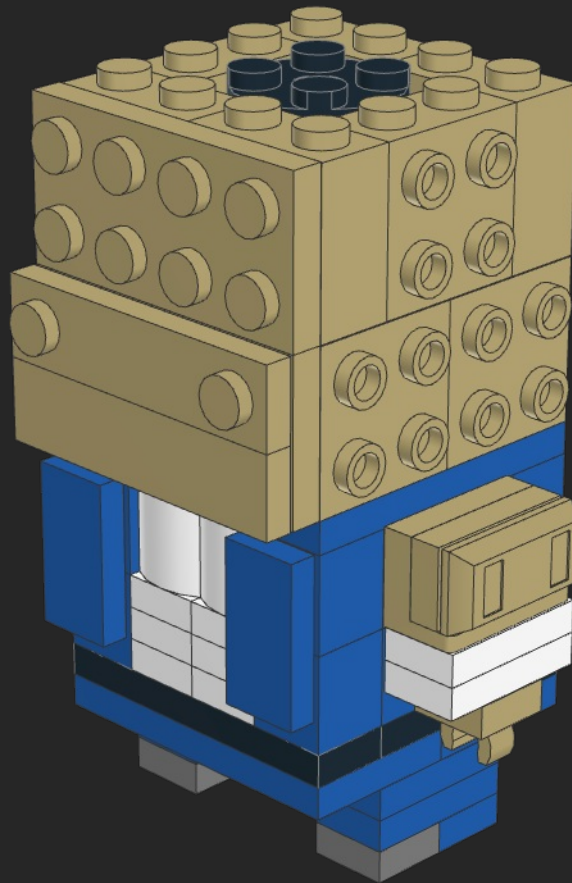
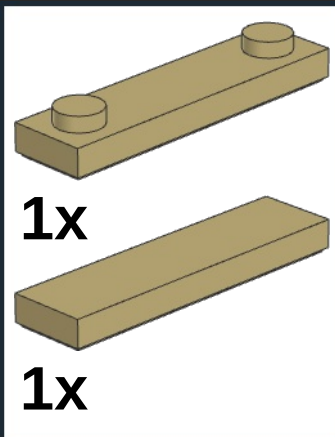
29



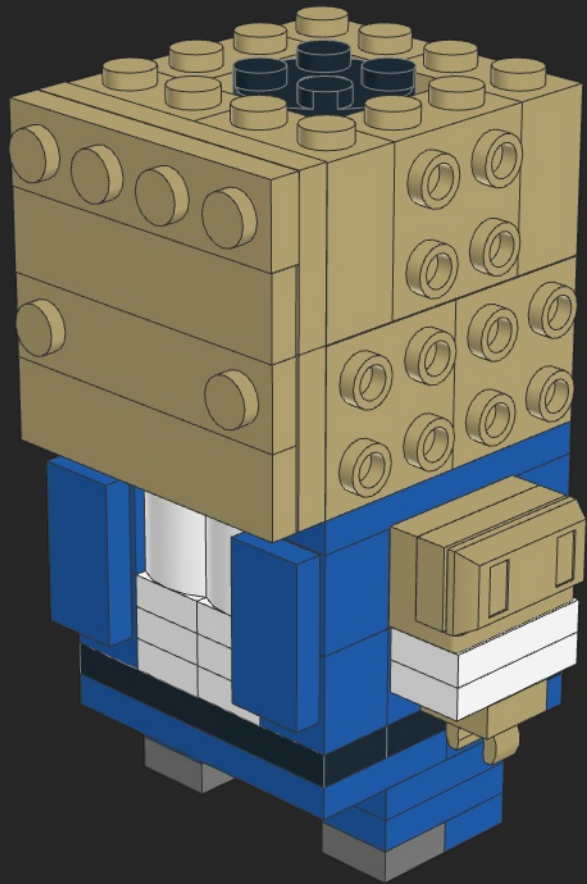
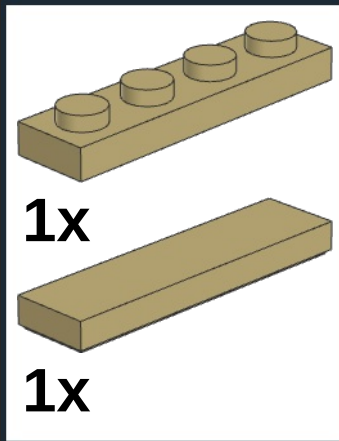
30



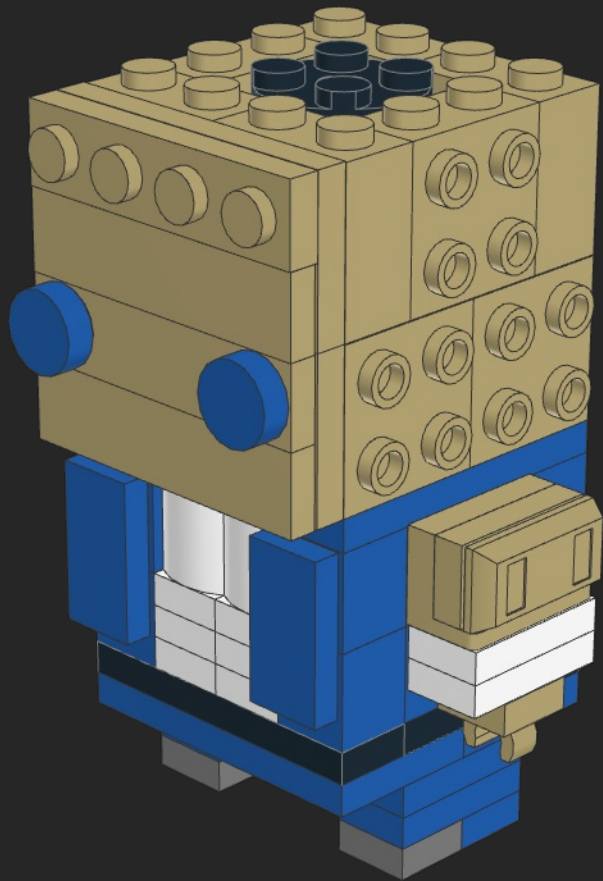
31



32

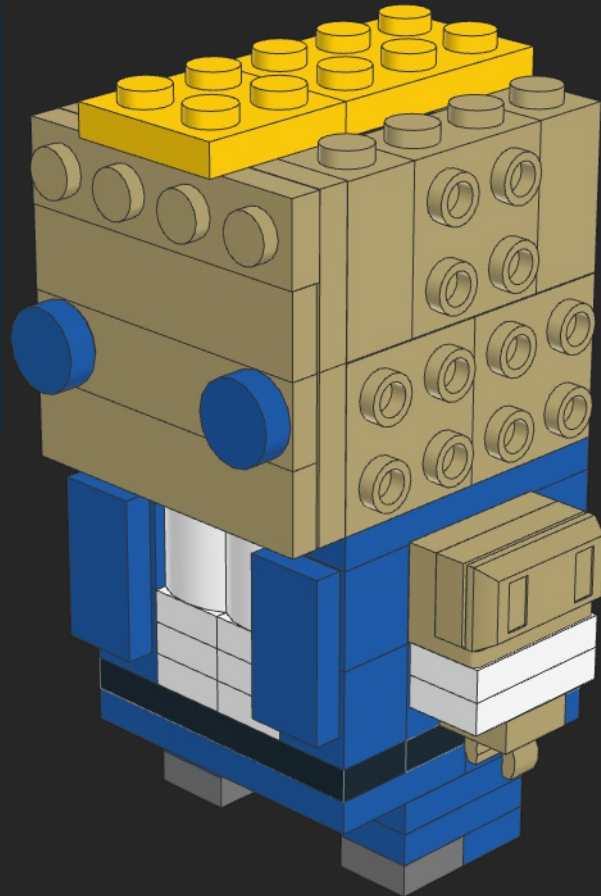
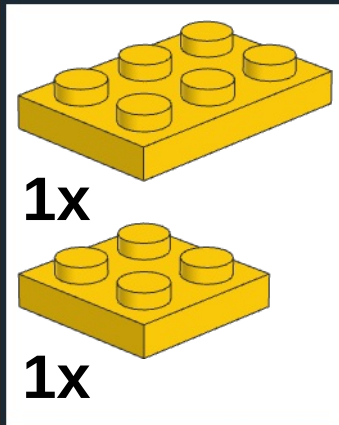


33

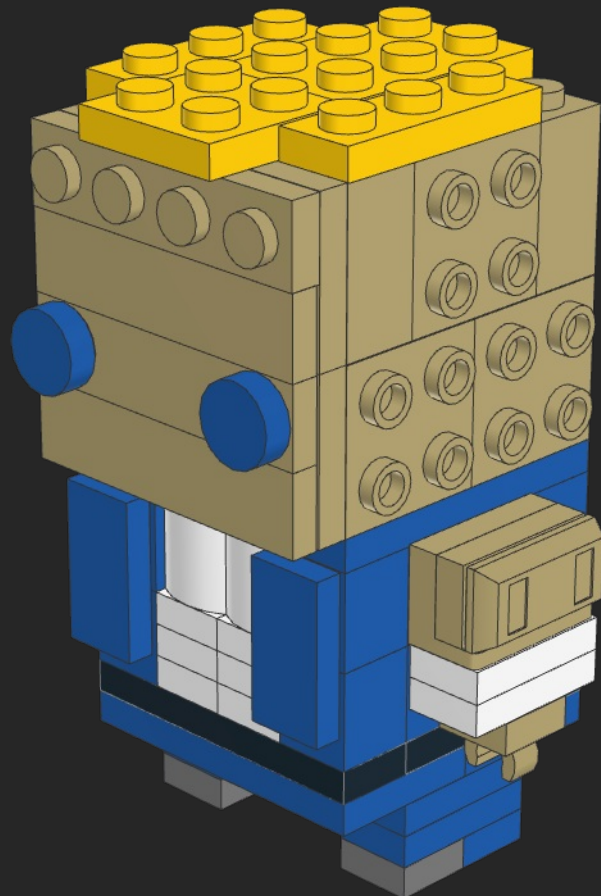
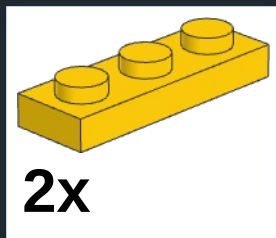




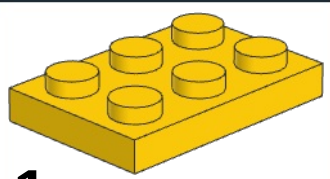
34



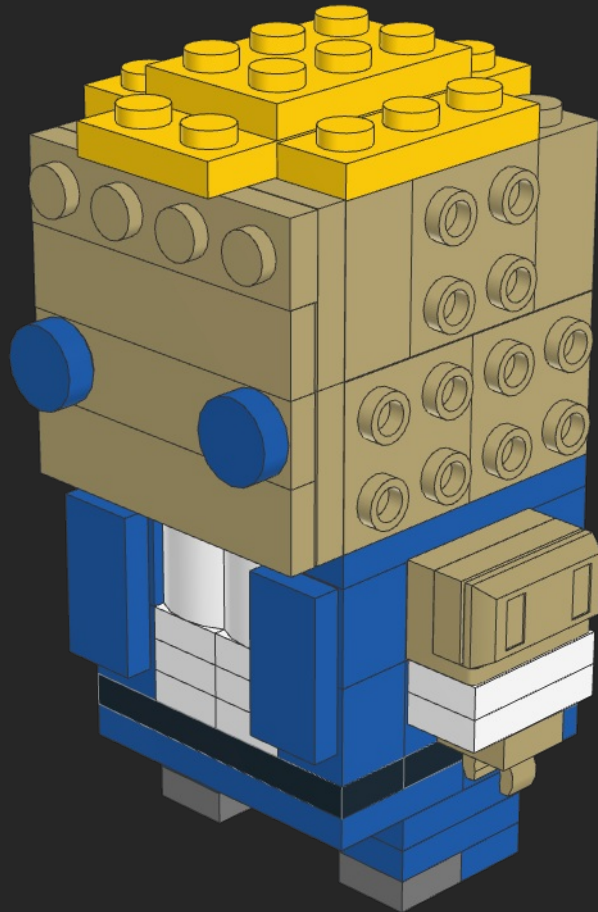
35



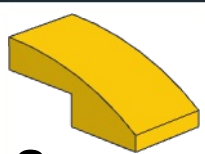
36



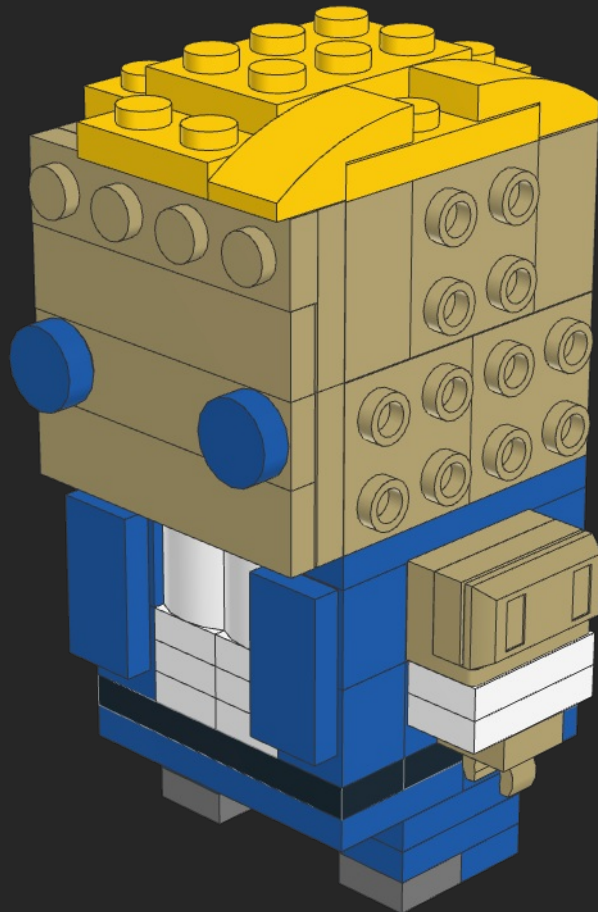
1x



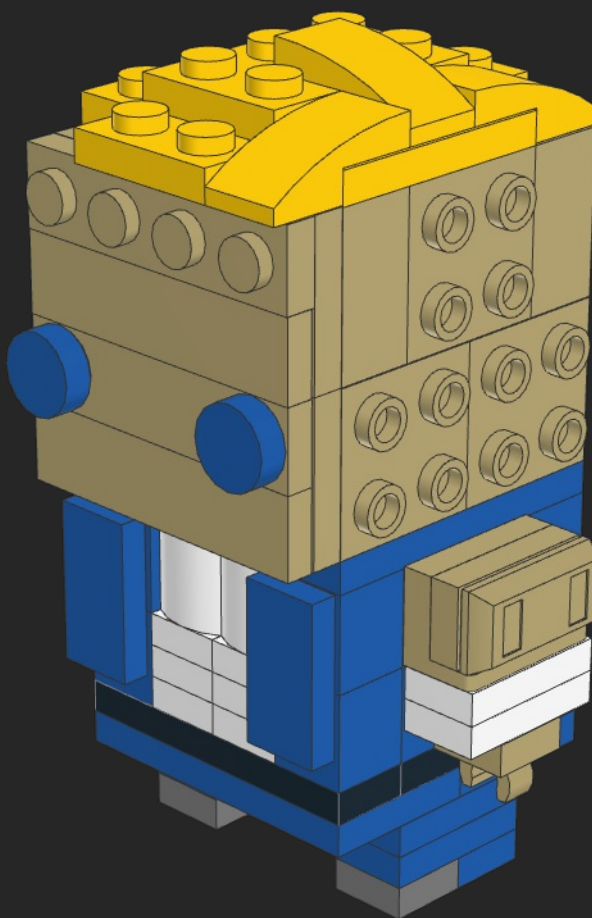
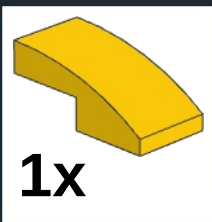
37



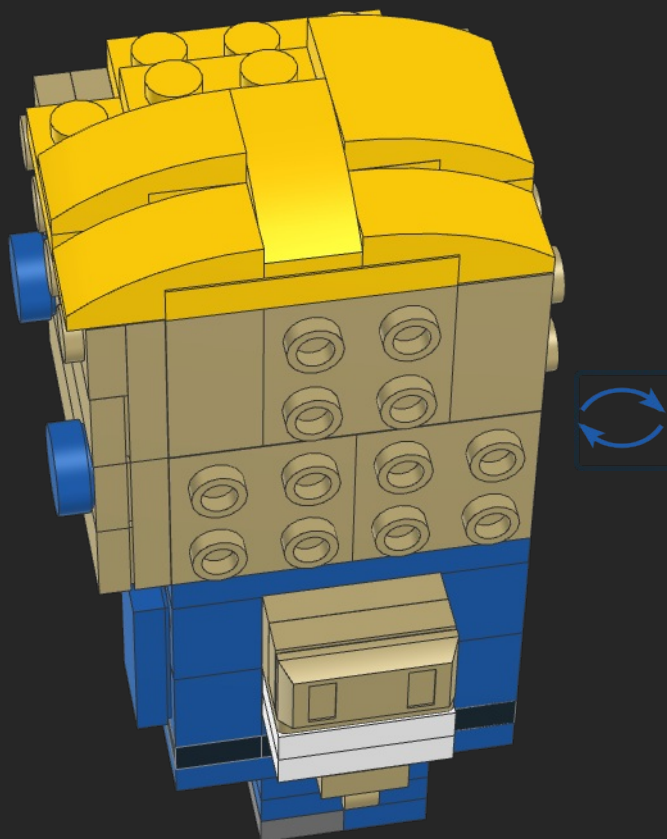
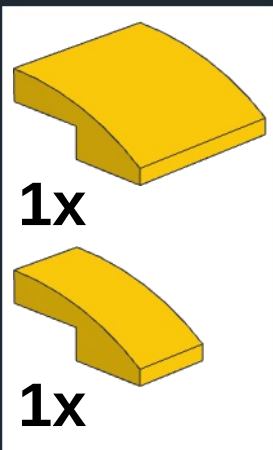
2x



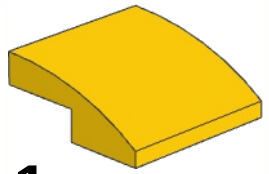
38



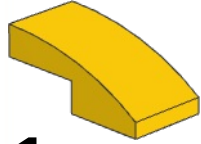
39



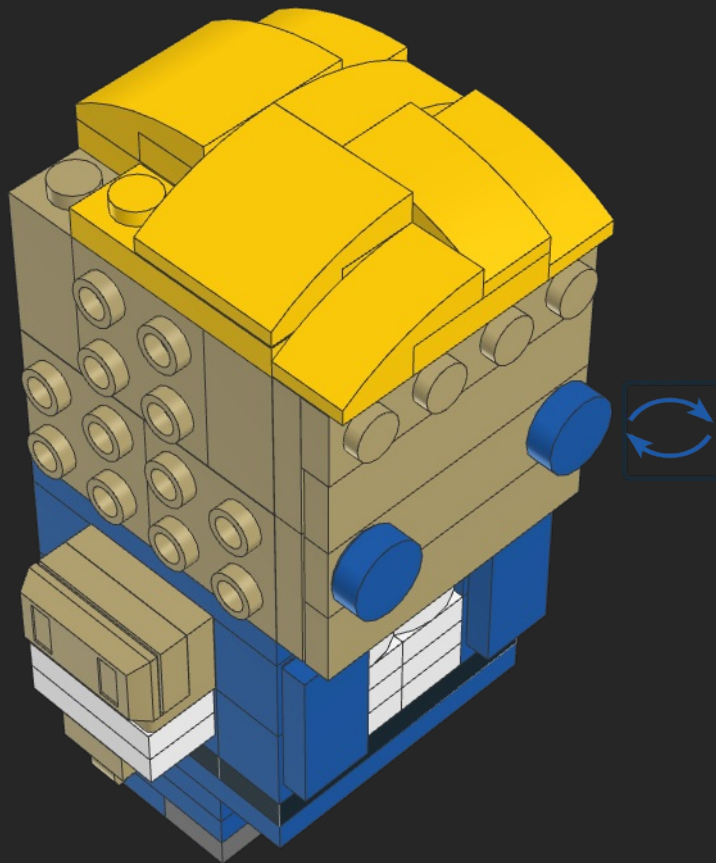
40



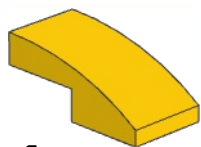
1x



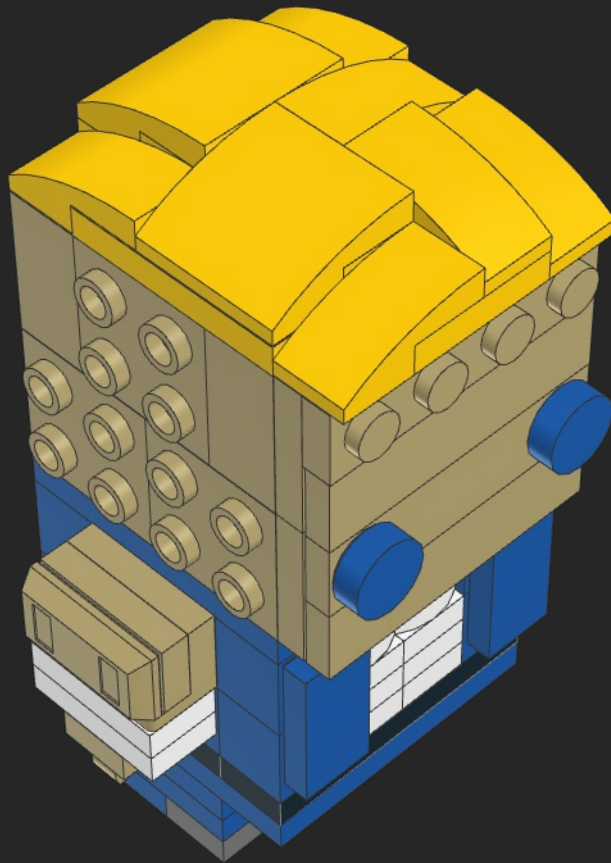
1x



41



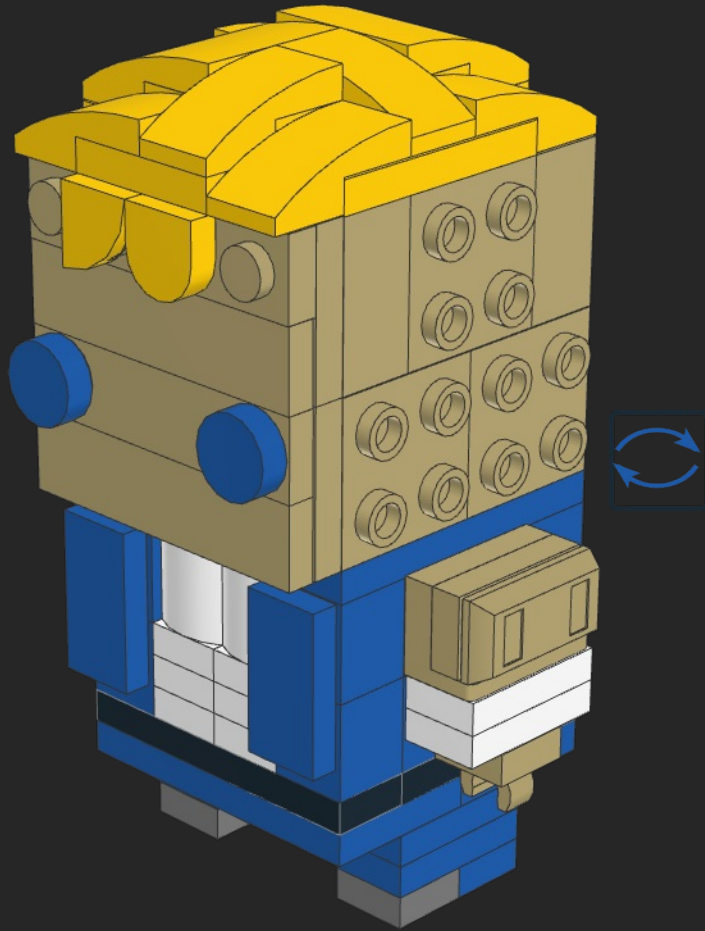
1x





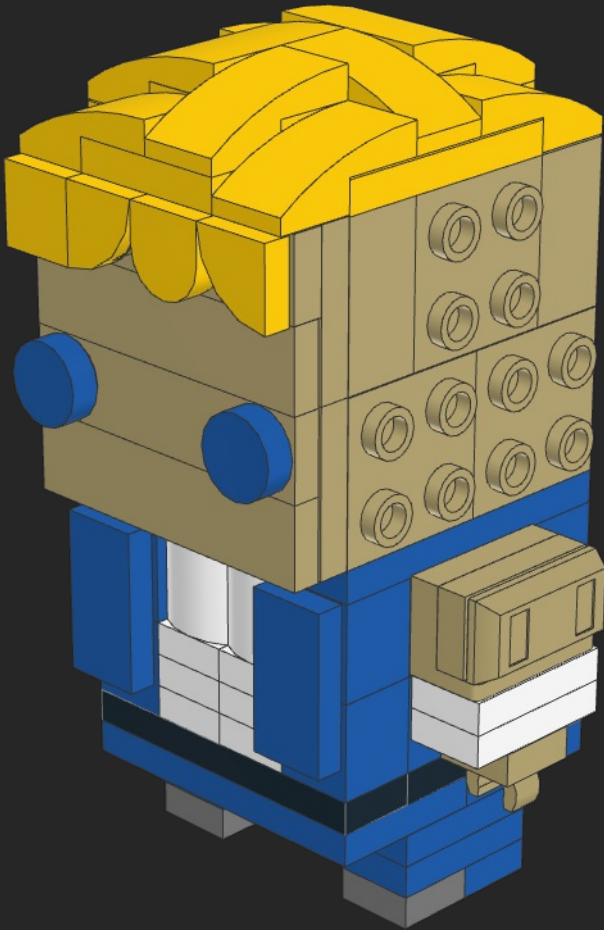
42

-  1x
-  1x

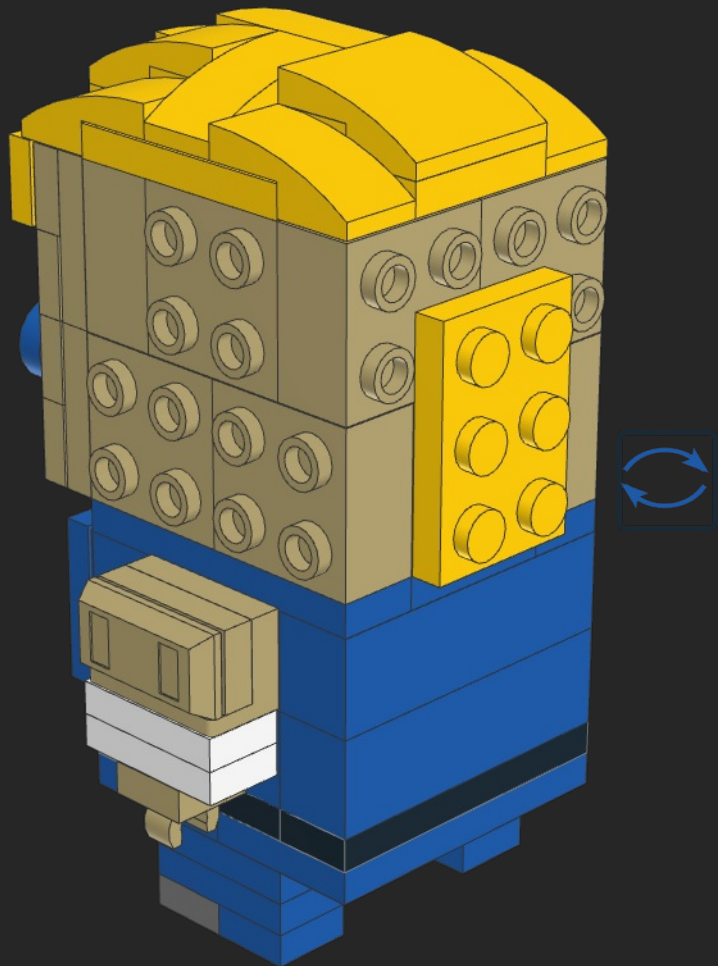
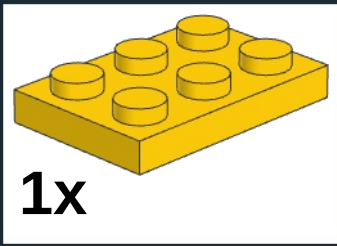


43

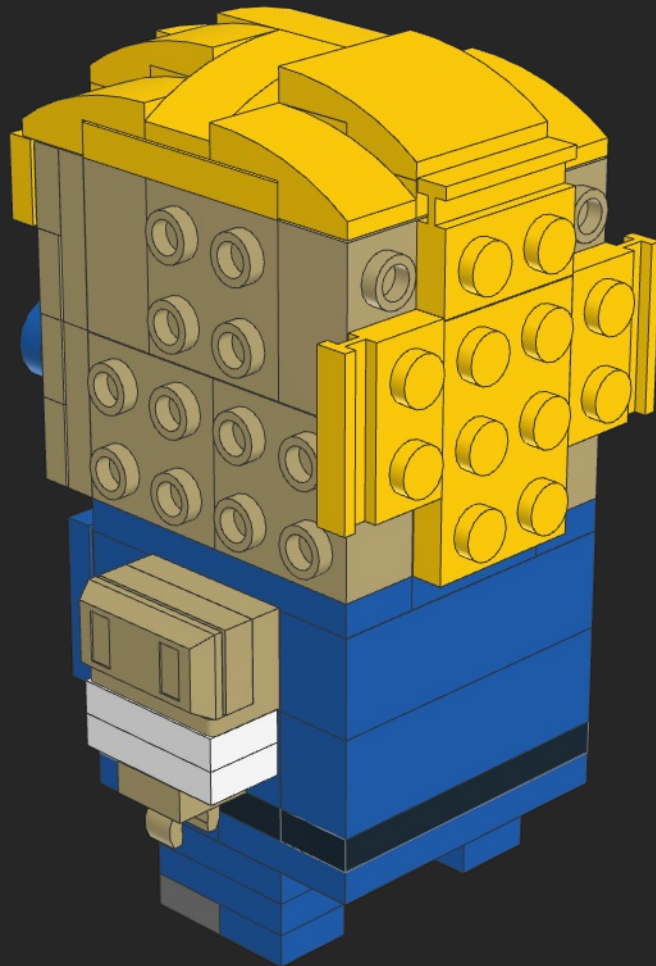
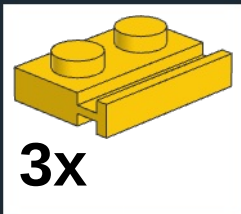
-  1x
-  1x



44

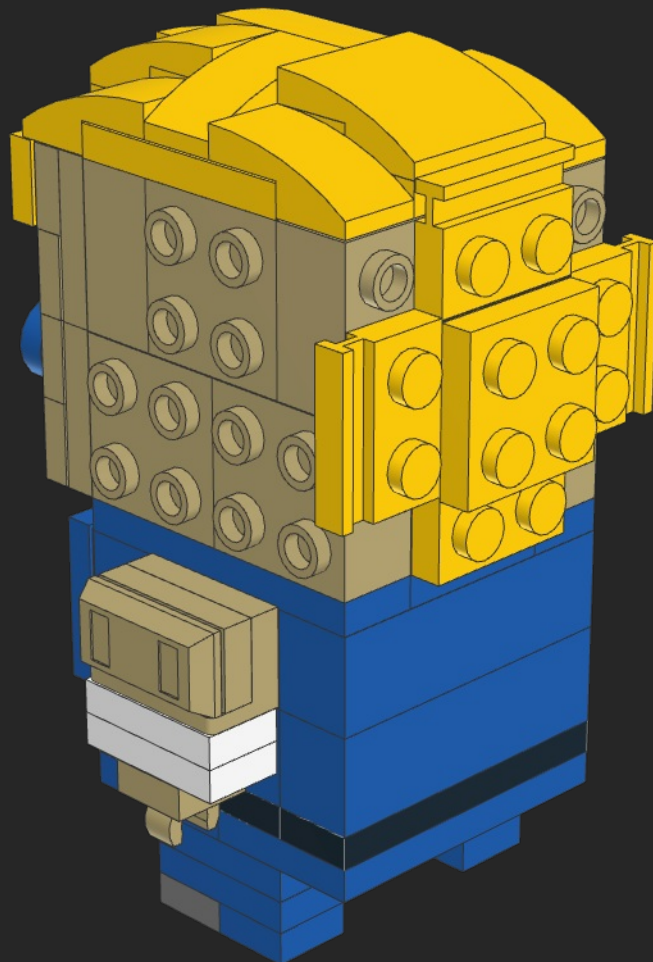
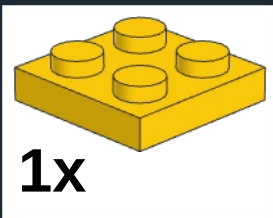


45

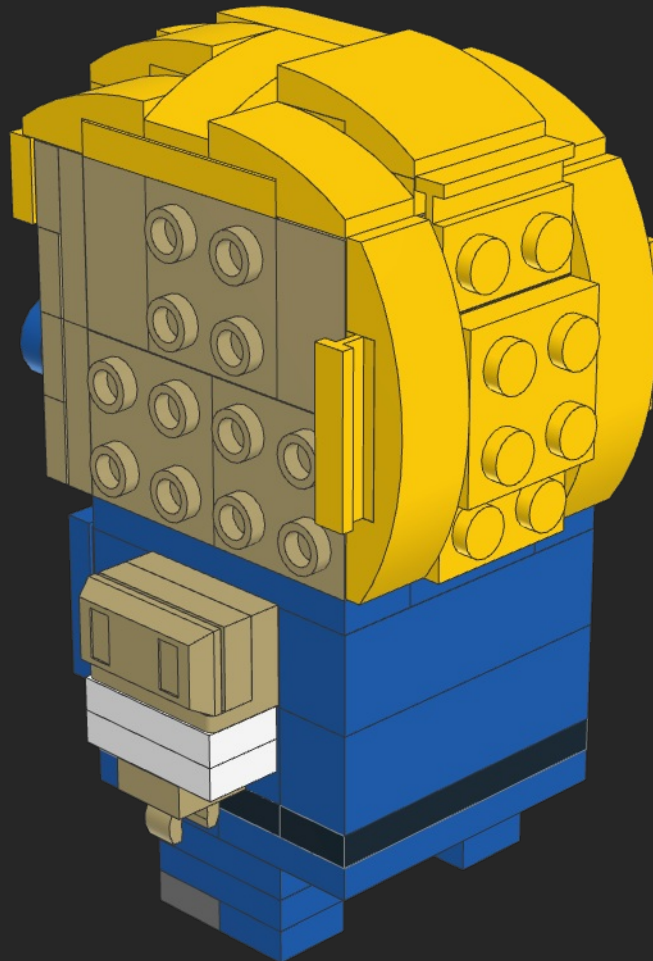




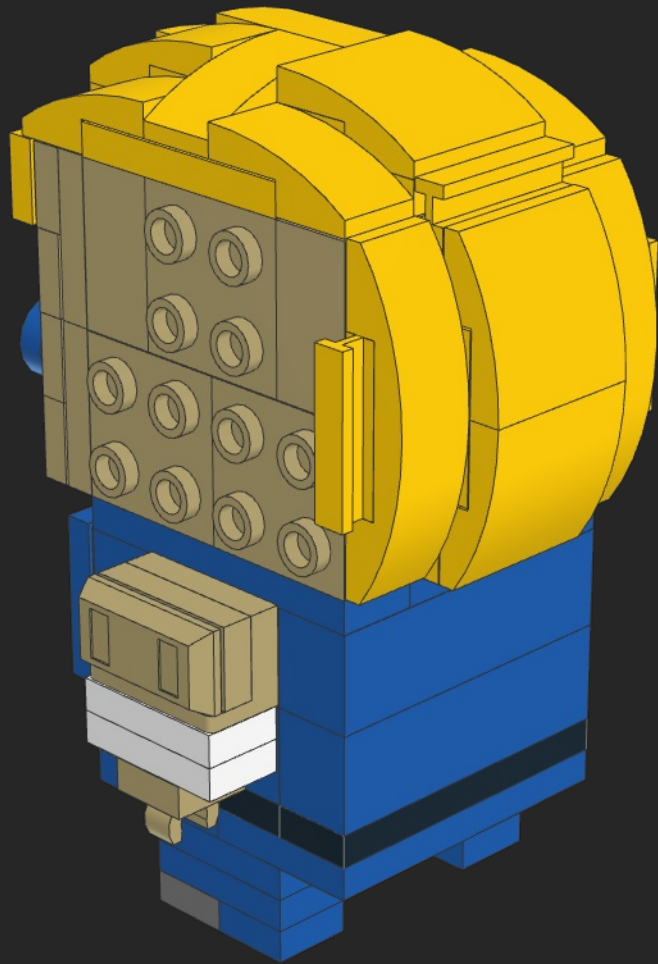
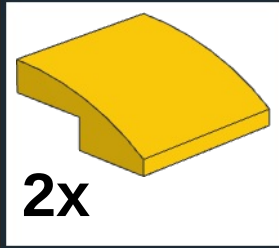
46



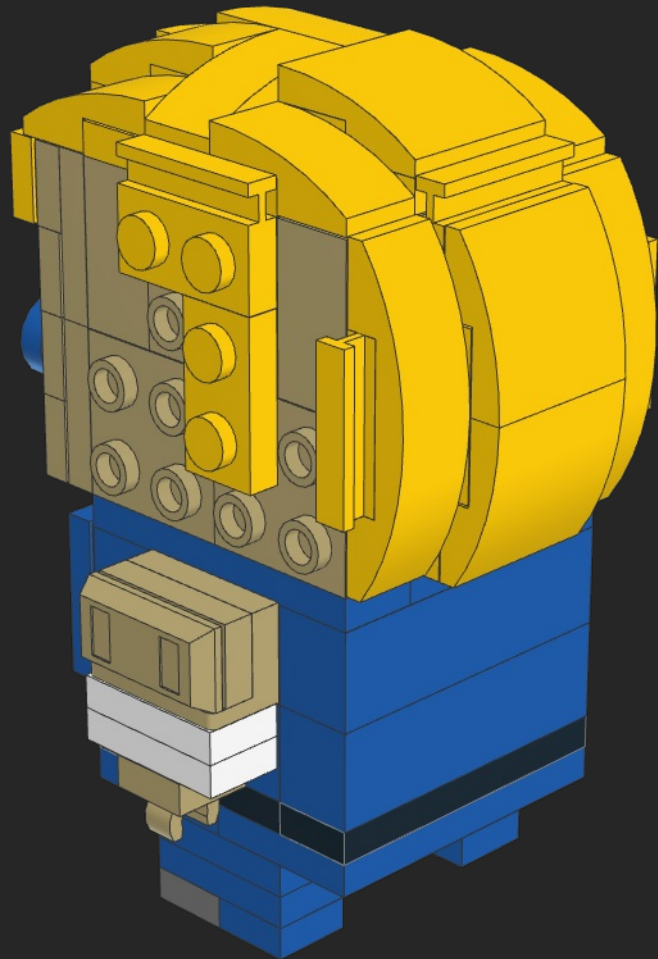
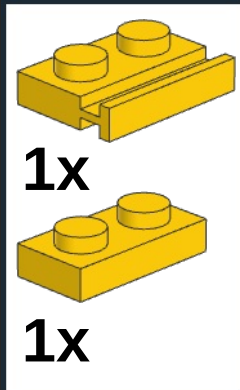
47



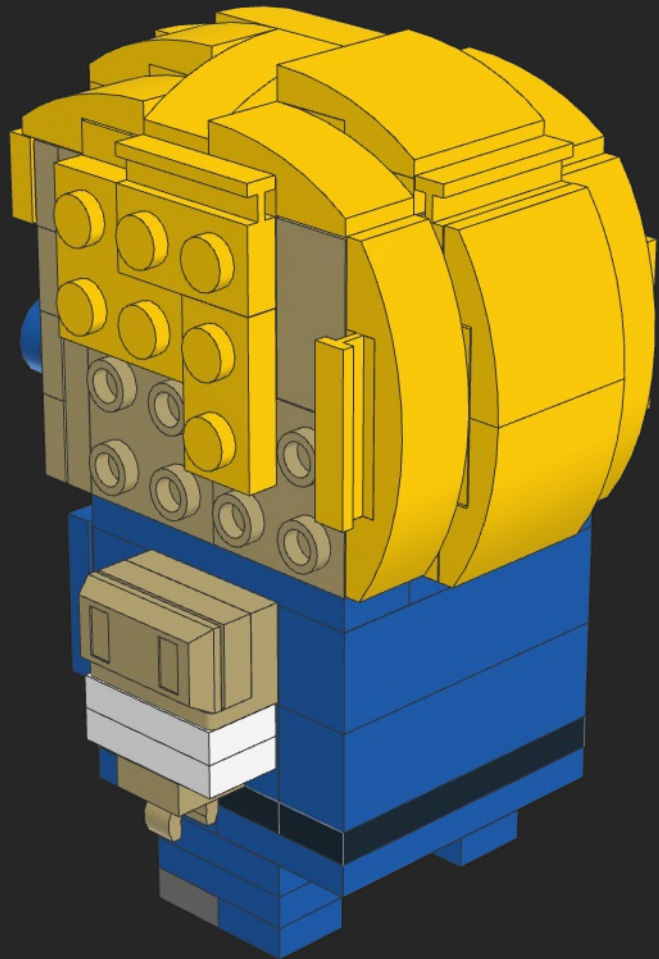
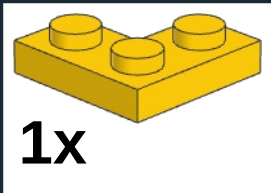
48



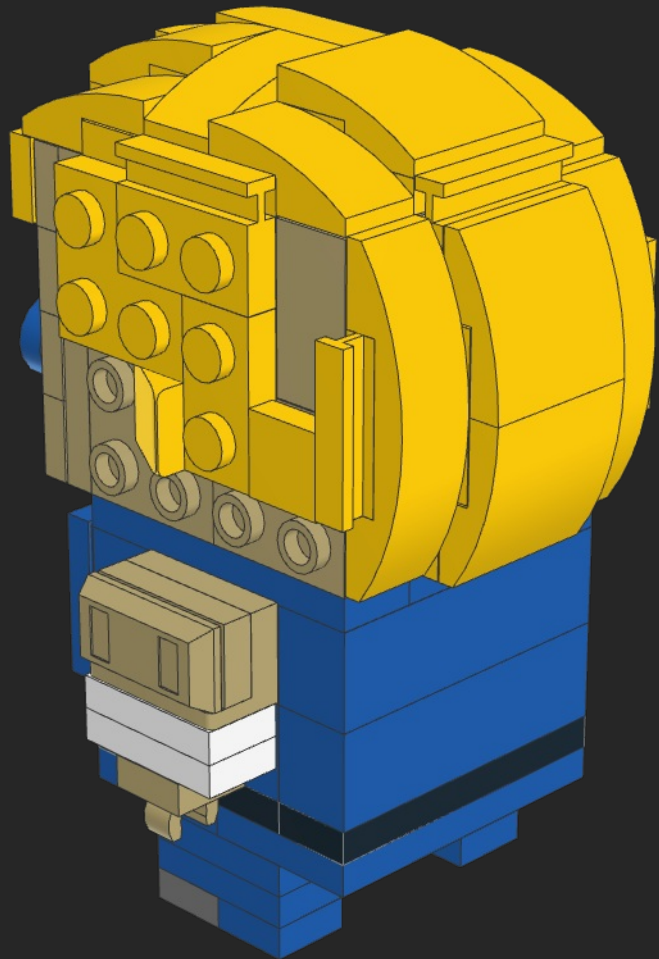
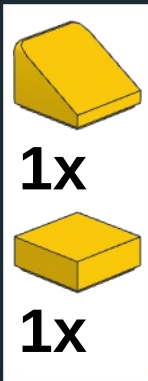
49



50

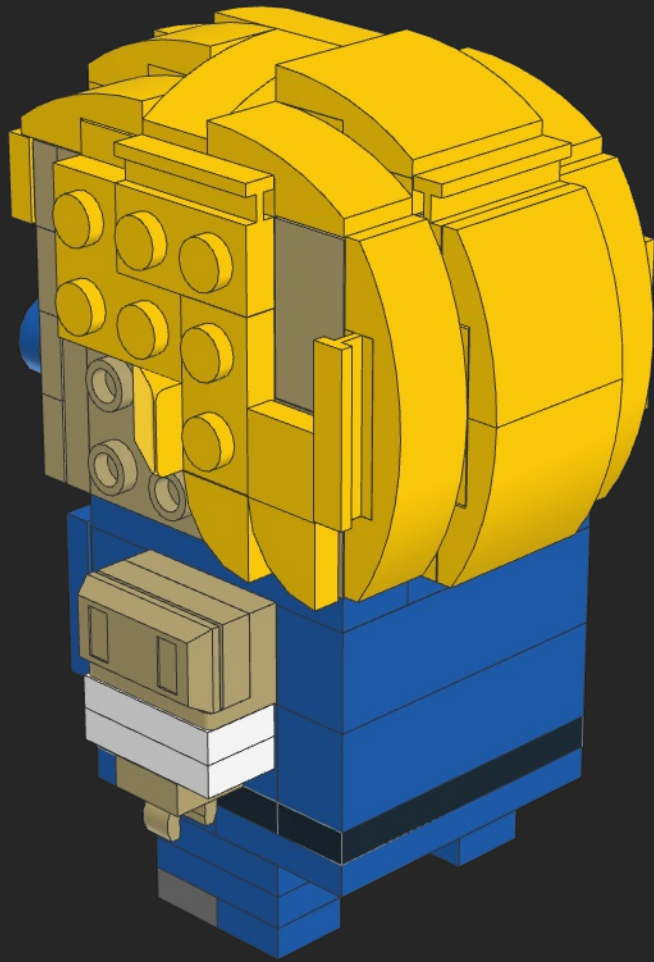


51

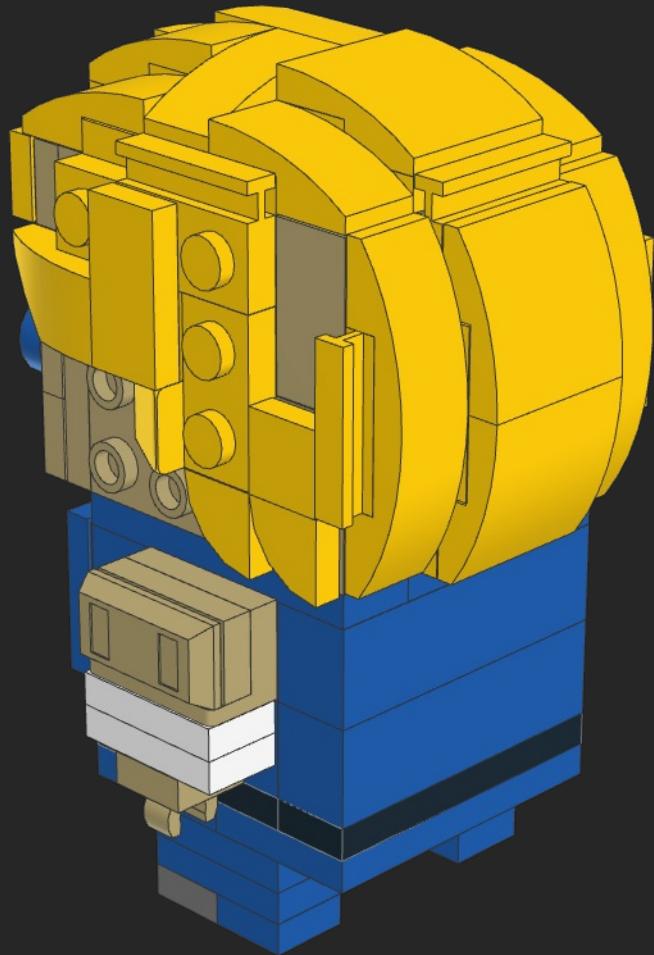
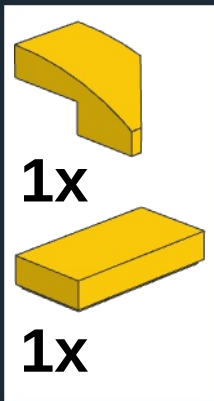




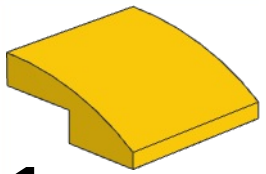
52



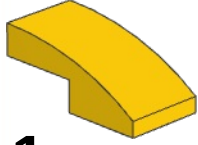
53



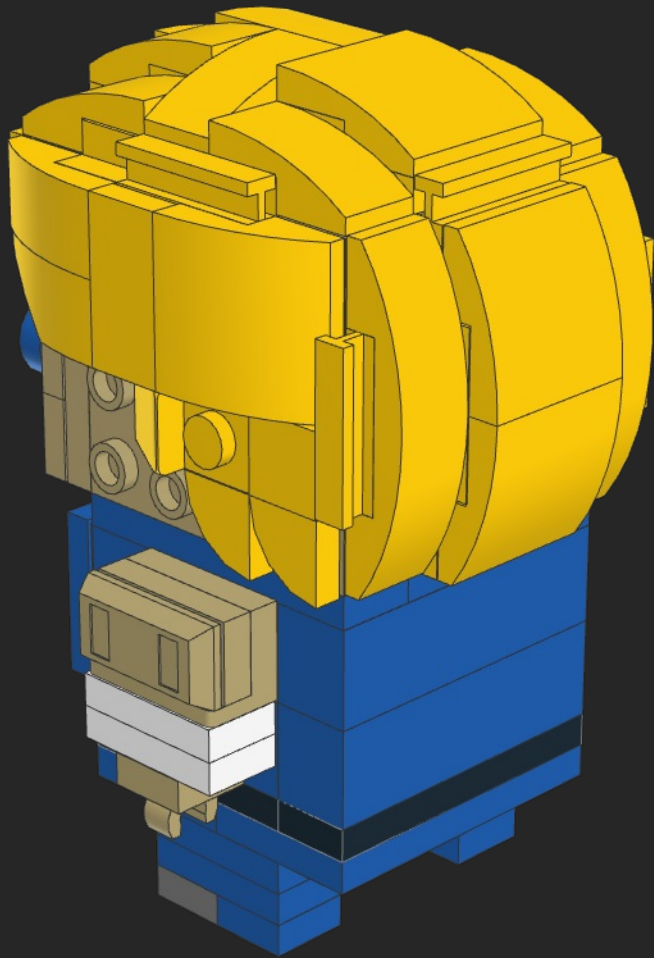
54



1x



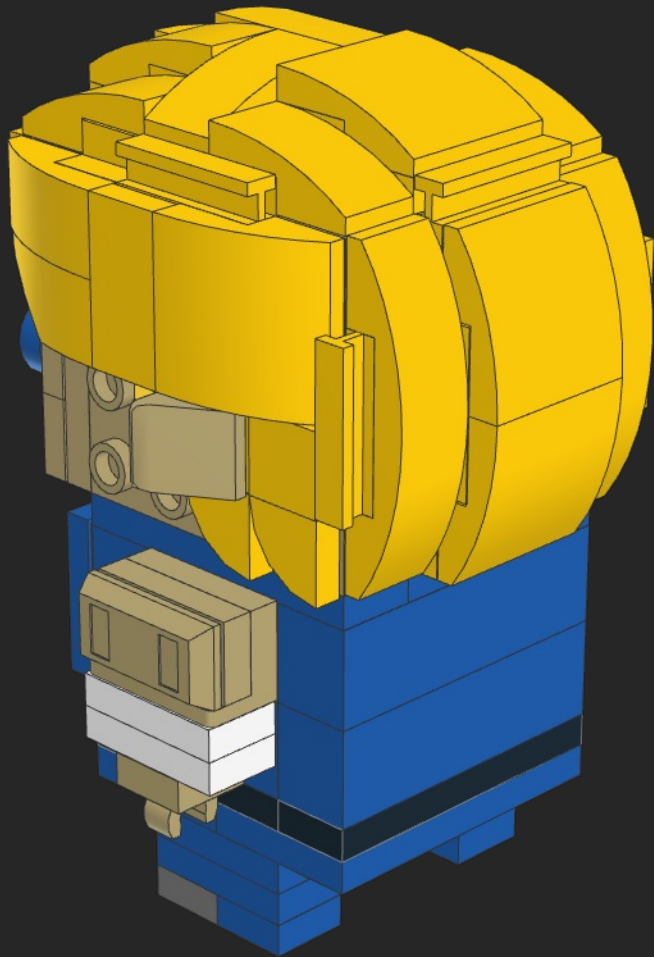
1x



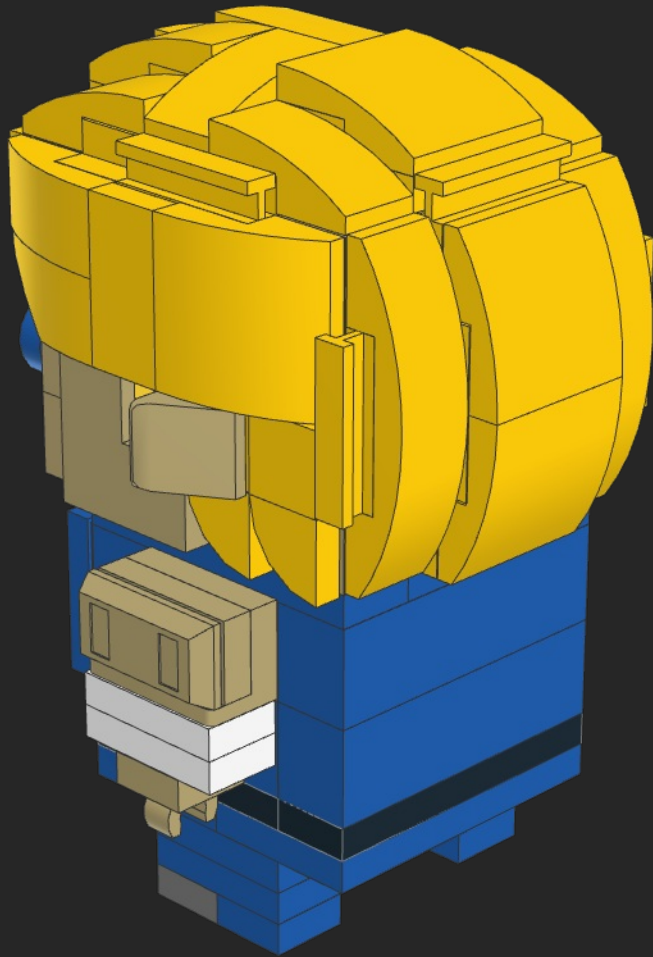
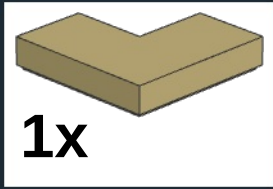
55



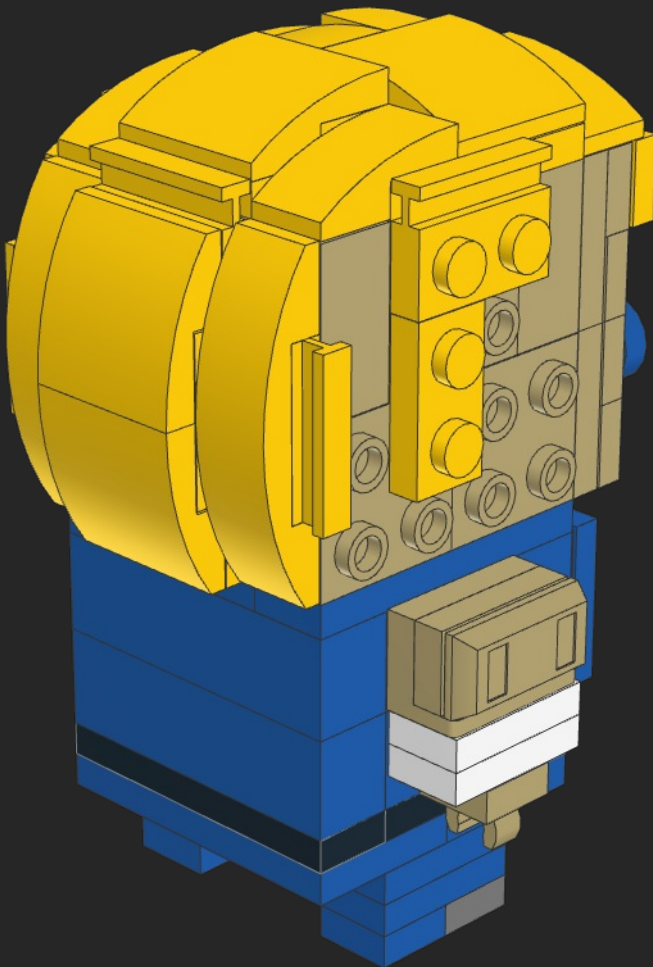
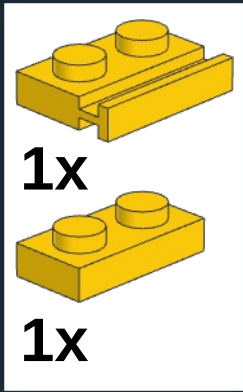
1x



56

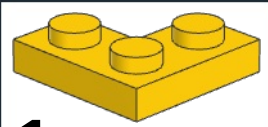


57

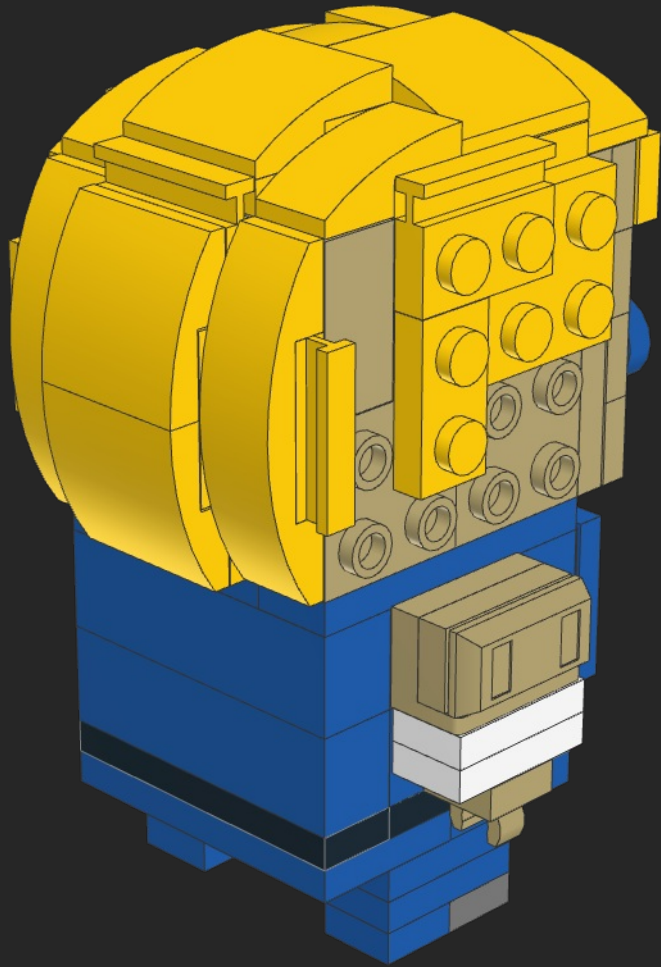




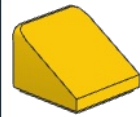
58



1x



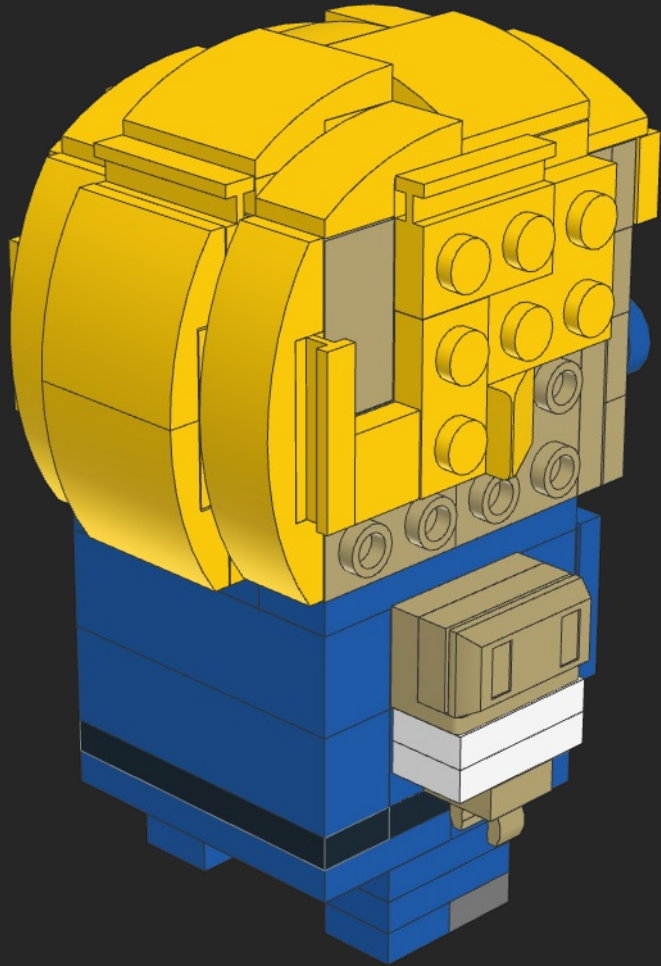
59



1x



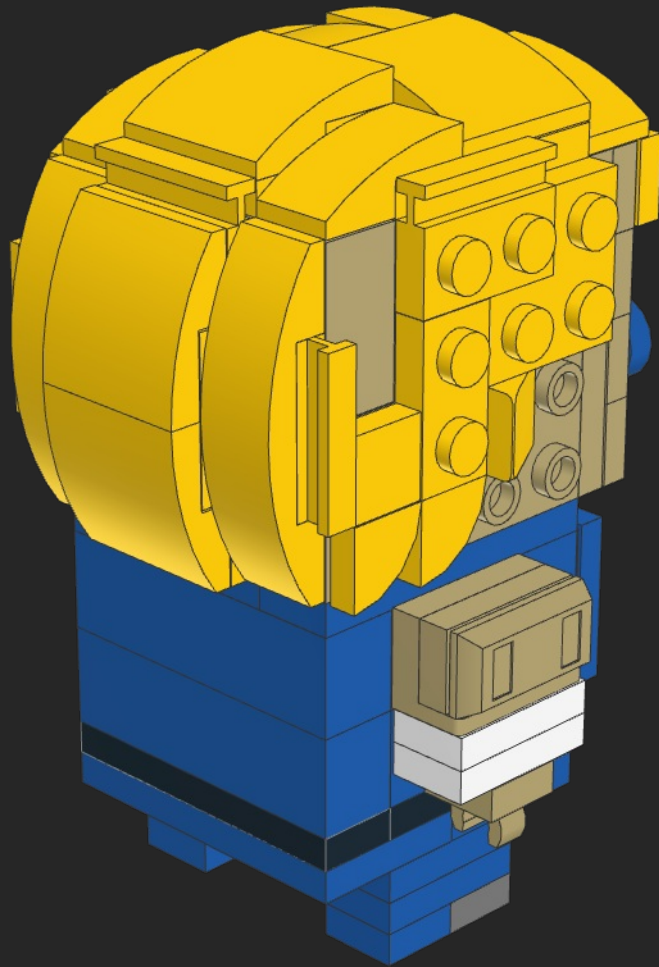
1x



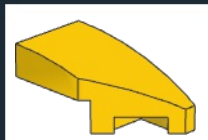
60



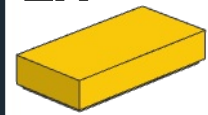
2x



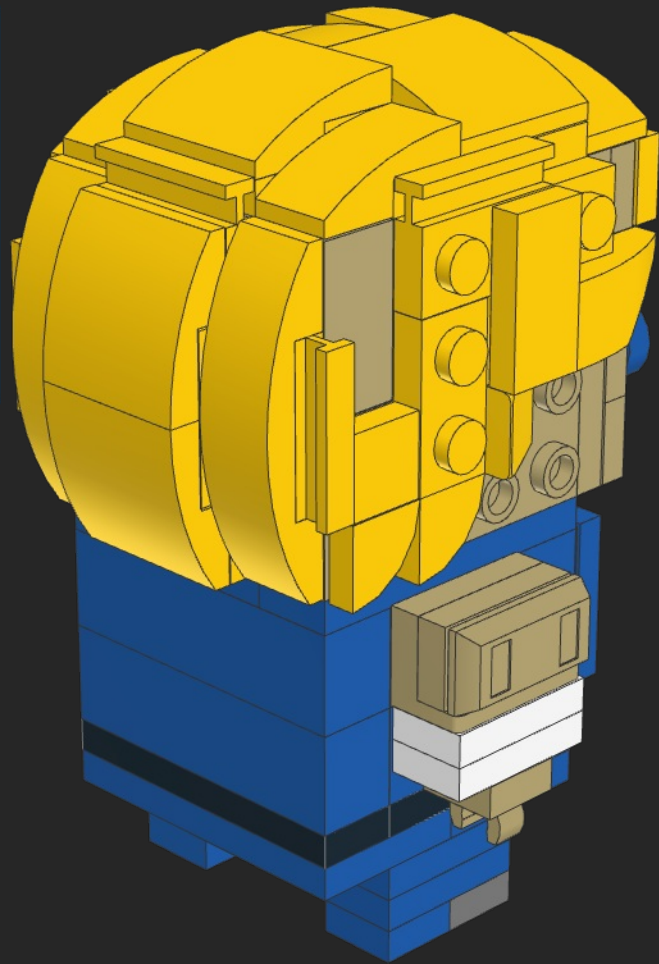
61



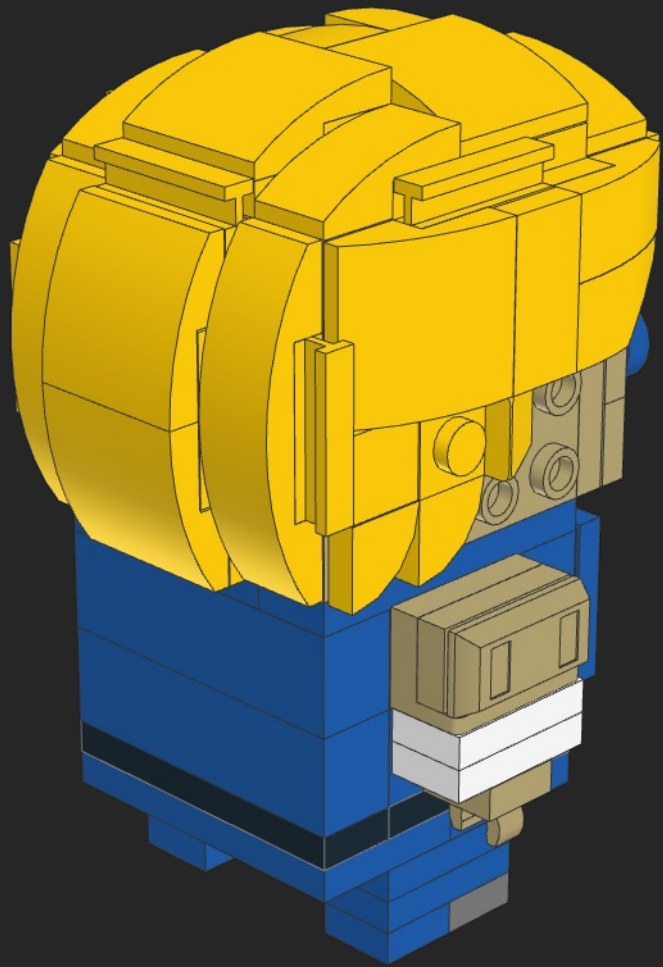
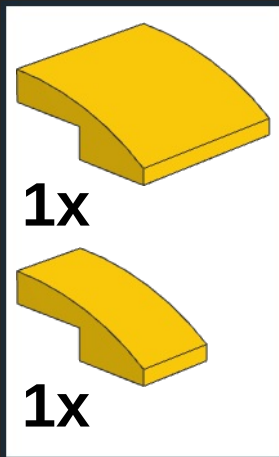
1x



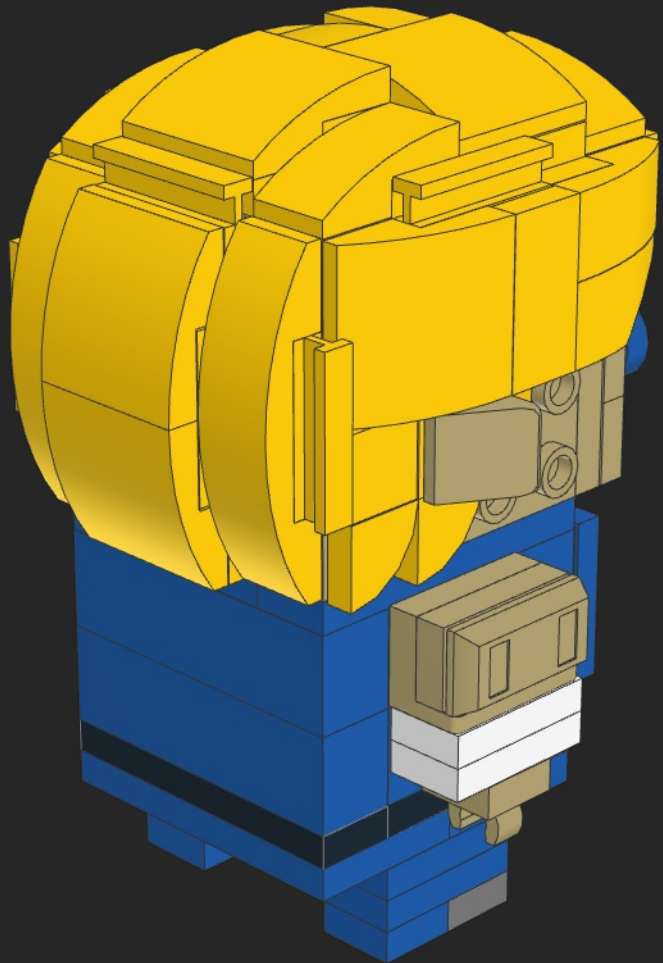
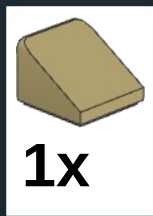
1x



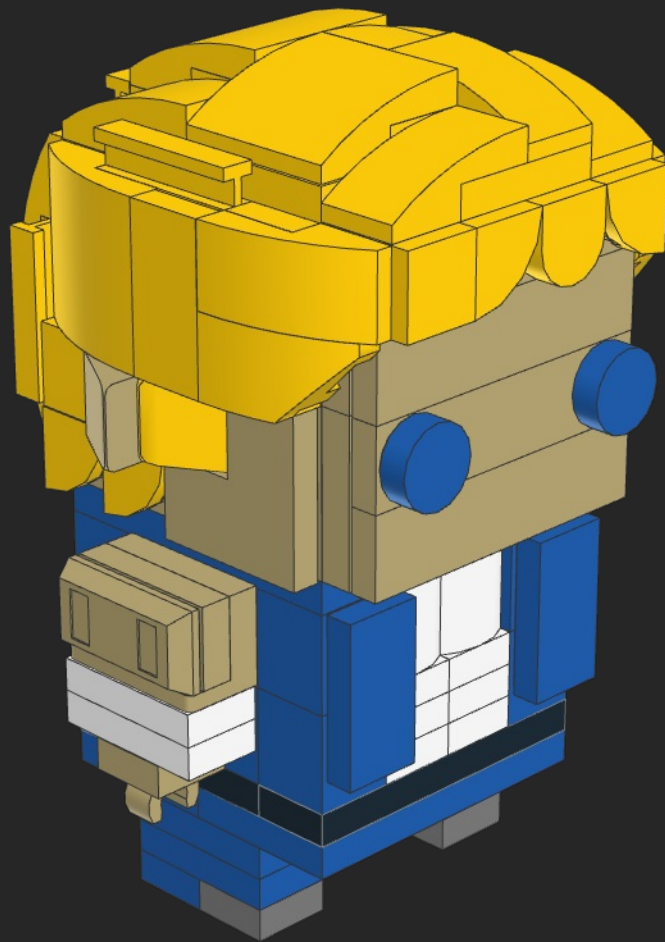
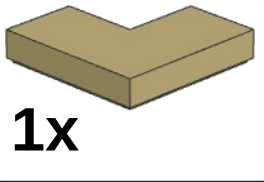
62



63



64







# *Honorable mentions of contributors:*

Teg12345





Hope you had fun with this model and instructions.  
As always you can reach out to me via email:  
[birdbrickbuilds@gmail.com](mailto:birdbrickbuilds@gmail.com)

You can also check my work on rebrickable and  
instagram:

<https://rebrickable.com/users/birdbrickbuilds/>  
<https://www.instagram.com/birdbrickbuilds/>

If you wish to help me continue to make this  
models and instructions you can buy me a coffee  
to help me stay up late:

<https://www.buymeacoffee.com/birdbrickbl>

Or you can buy my Coffee Espresso MOC:  
<https://reb.li/m/118798>

Or even you can buy my Beer Mug MOC:  
<https://reb.li/m/137364>



This work is licensed under a [Creative Commons Attribution-NonCommercial-ShareAlike 4.0 International License](https://creativecommons.org/licenses/by-nc-sa/4.0/).