

# The Boss Katana



Author: Eduardo

Model instructions by Bird Brick Builds

48 Parts



## Attribution-NonCommercial-ShareAlike 4.0 International (CC BY-NC-SA 4.0)

This is a human-readable summary of (and not a substitute for) the [license](#). [Disclaimer](#).

### You are free to:

**Share** — copy and redistribute the material in any medium or format

**Adapt** — remix, transform, and build upon the material

The licensor cannot revoke these freedoms as long as you follow the license terms.

---

### Under the following terms:



**Attribution** — You must give [appropriate credit](#), provide a link to the license, and [indicate if changes were made](#). You may do so in any reasonable manner, but not in any way that suggests the licensor endorses you or your use.



**NonCommercial** — You may not use the material for [commercial purposes](#).



**ShareAlike** — If you remix, transform, or build upon the material, you must distribute your contributions under the [same license](#) as the original.

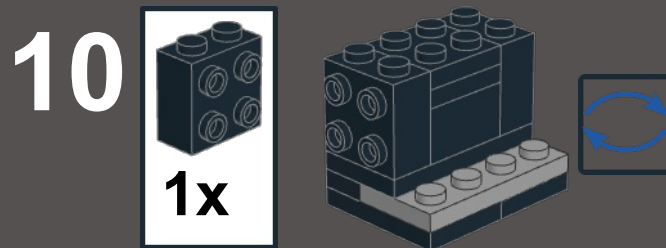
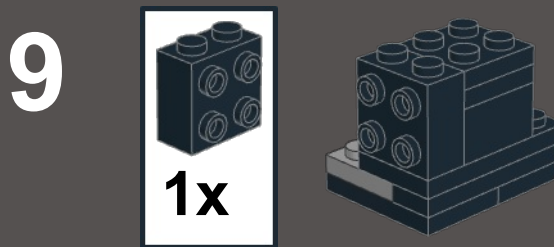
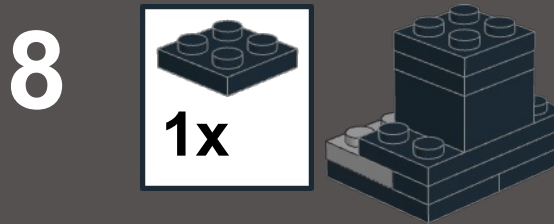
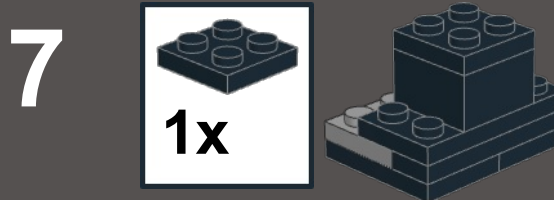
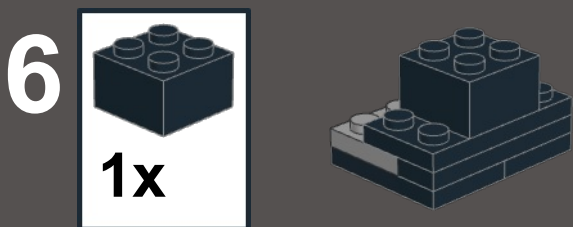
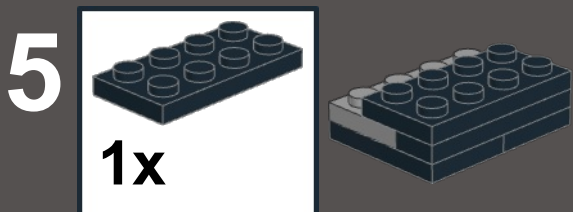
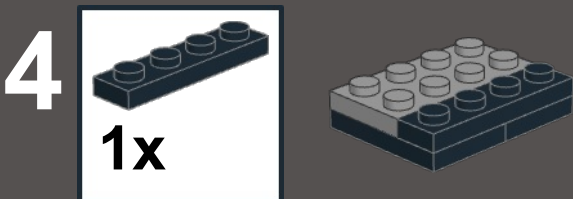
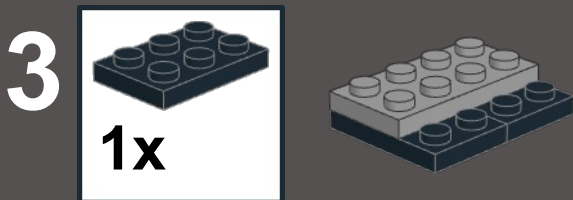
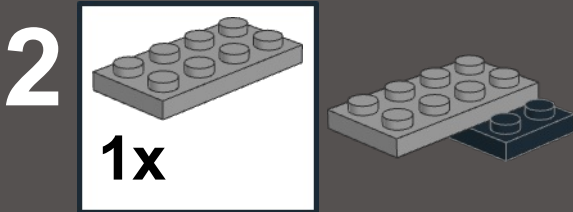
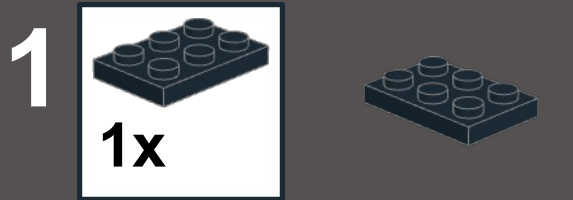
**No additional restrictions** — You may not apply legal terms or [technological measures](#) that legally restrict others from doing anything the license permits.

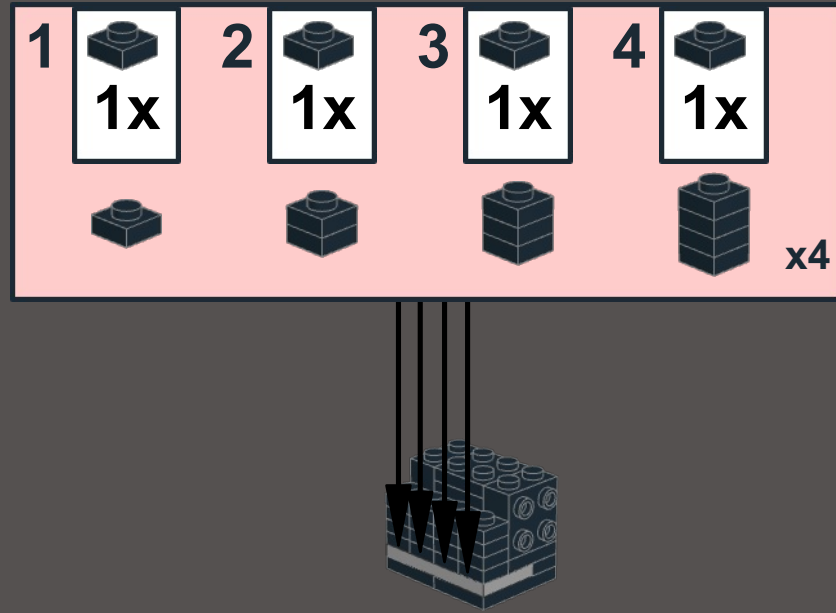
---

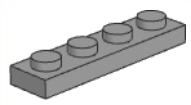
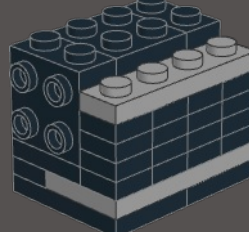
### Notices:


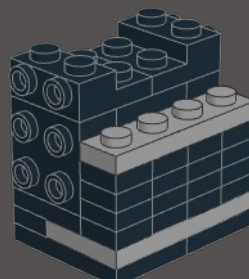
You do not have to comply with the license for elements of the material in the public domain or where your use is permitted by an applicable [exception or limitation](#).


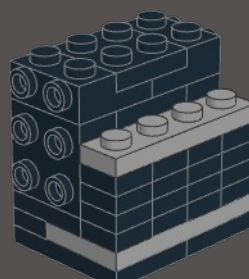
No warranties are given. The license may not give you all of the permissions necessary for your intended use. For example, other rights such as [publicity, privacy, or moral rights](#) may limit how you use the material.

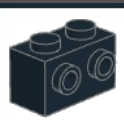
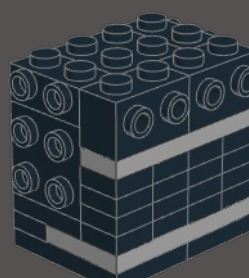


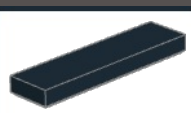
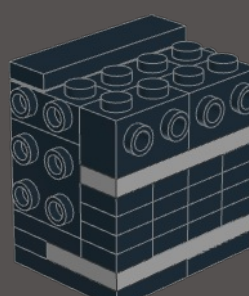



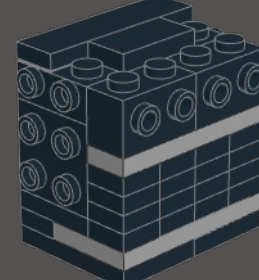
**12**  **1x** 


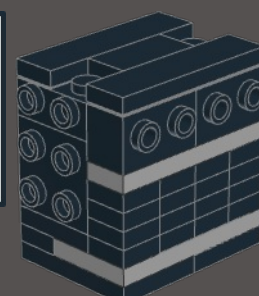
**13**  **2x** 


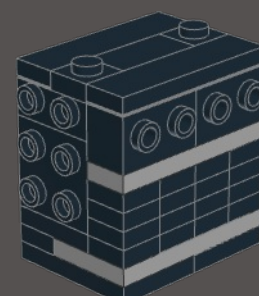
**14**  **1x** 


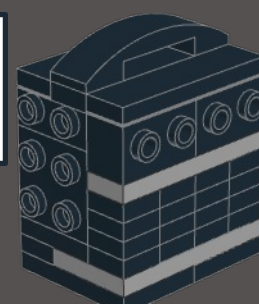
**15**  **2x** 



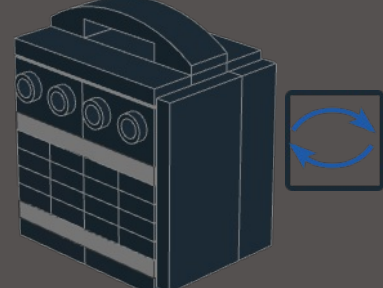

**16**  **1x** 



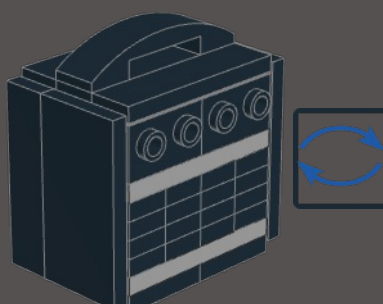

**17**  **1x** 


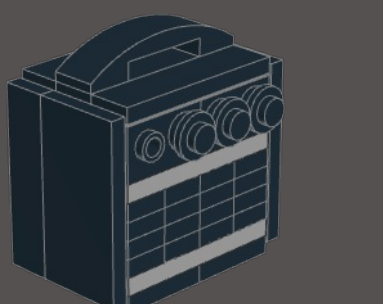
**18**  **1x** 


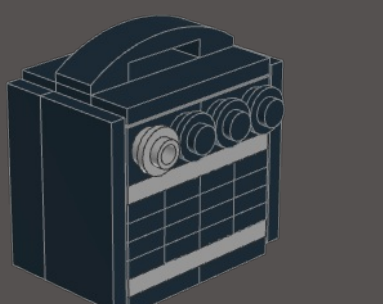
**19**  **2x** 

**20**  **1x** 

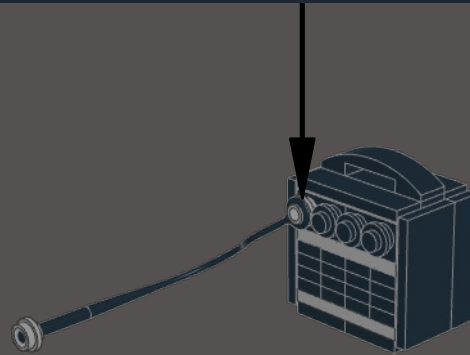
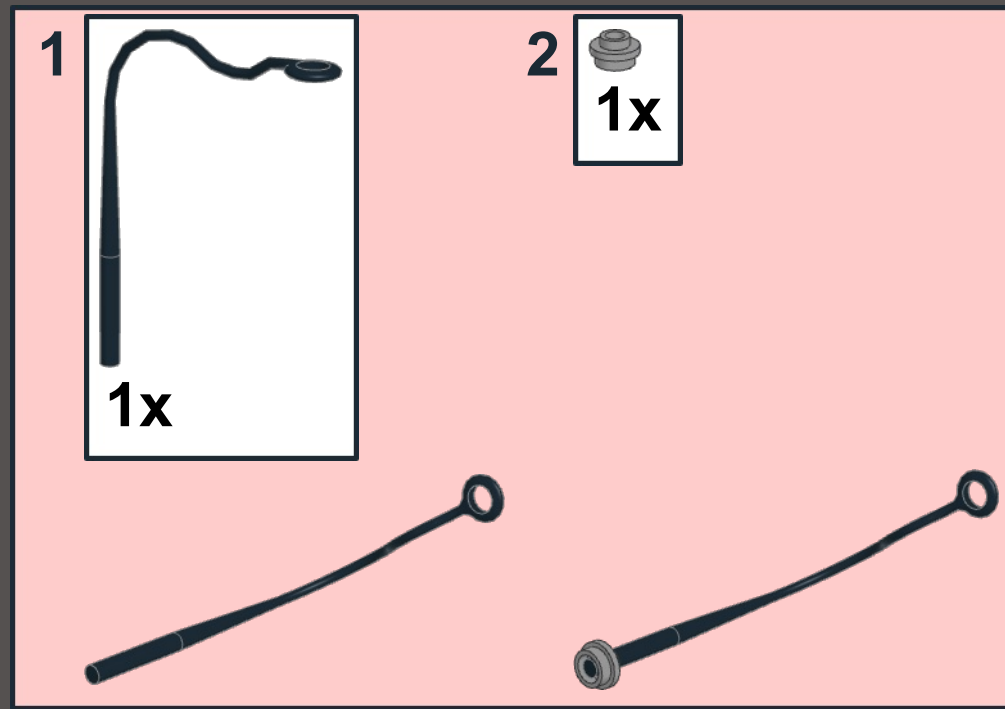
**21**  **1x**  **1x**  

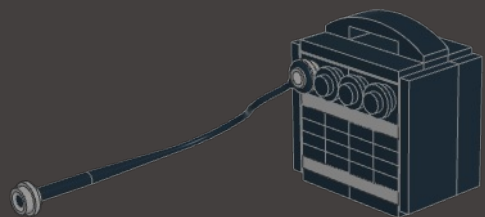
**22**  **1x**  **1x**  

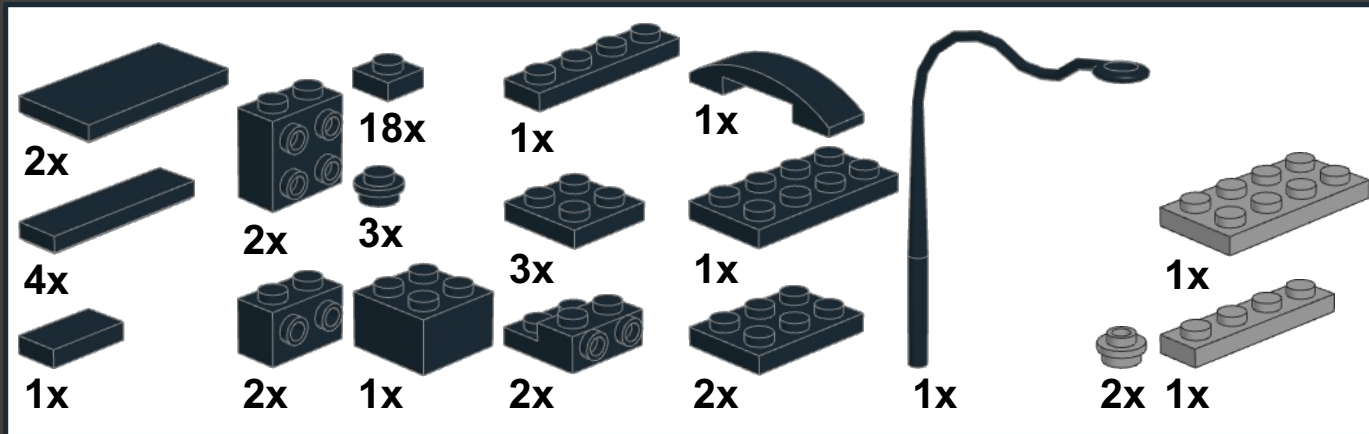
**23**  **3x** 

**24**  **1x** 

25







# *Honorable mentions of supporters:*

Teg12345

guest-1668118

dalesr

ForelockMocs

leo scg

Haileybricks

Bwtpelego

Marlina

inkachi

deinStein

BIGBOYE

guest-982688

rob2190

kth4711

lscan3221

edelsberger

guest-1268425

slavena

RoNYBE

C3Brix78

voodoo

Cindihawk

guest-1833703

yazzjojo

Ari\_Ari

Bettaraino76

Hope you had fun with this model and instructions.  
As always you can reach out to me via email:

[birdbrickbuilds@gmail.com](mailto:birdbrickbuilds@gmail.com)

You can also check my work on rebrickable and  
instagram:

<https://rebrickable.com/users/birdbrickbuilds/>

<https://www.instagram.com/birdbrickbuilds/>

If you wish to help me continue to make this  
models and instructions you can buy me a coffee  
to help me stay up late:

<https://www.buymeacoffee.com/birdbrickbl>

Or you can buy my Coffee Espresso MOC:

<https://reb.li/m/118798>



This work is licensed under a [Creative Commons Attribution-NonCommercial-ShareAlike 4.0 International License](https://creativecommons.org/licenses/by-nc-sa/4.0/).